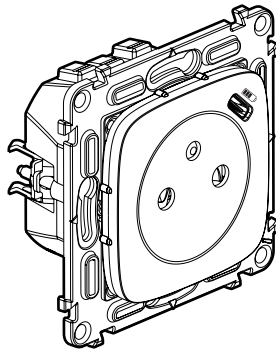
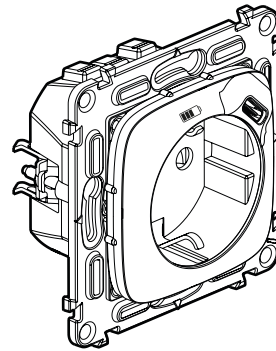


Valena Allure™ 2 P+E + USB Type C mixed socket outlet

Cat. Nos: 7 530 05/06/07 - 7 531 95/96/97



7 531 95/96/97



7 530 05/06/07

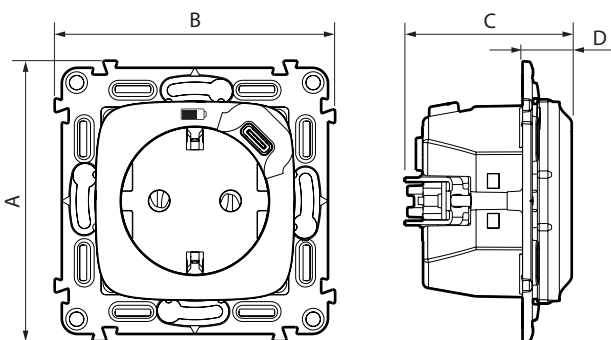
1. USE

2 P+E socket outlets with child protection.
 USB Type C socket: for recharging portable devices such as phones, smartphones, tablets, MP3, MP4, loudspeakers, watches, game consoles, powerbanks.
 Recessed mounting in box depth 40 mm min.
 Fixing with screws and/or claws.

2. RANGE

Description French standard	White	Ivory	Aluminium
Mixed socket composed of: - 2 P+E socket flush surface - 16 A - 250 V~ - single USB socket - 5 V= - 1.5 A - 7.5 W Supplied with support (spacing 71 mm) and cover plate	7 531 95	7 531 96	7 531 97
Description German standard	White	Ivory	Aluminium
Mixed socket composed of: - 2 P+E socket outlet - 16 A - 250 V~ - 7.5 W - single USB socket - 5 V= - 1.5 A Supplied with support (spacing 71 mm) and cover plate	7 530 05	7 530 06	7 530 07

3. DIMENSIONS (mm)



References	A	B	C	D
7 531 95/96/97	75	75	41.5	10
7 530 05/06/07	75	75	44.5	13

4. CONNECTION

- **4.1 2 P+E socket outlet**
 Type of terminals: automatics
 Terminal capacity: 6 x 2.5 mm²
 Stripping length: 11 mm
 Flexible or rigid cables compatible
- **4.2 Type C USB socket**
 Prewired socket

5. TECHNICAL CHARACTERISTICS

- **5.1 Mechanical characteristics**
 Protection against impact: IK 04
 Protection against solid bodies and liquids: IP 40
 - **5.2 Material characteristics**
 Mechanism casing: PC
 Cover plate: PC White RAL 9003 - PC Ivory RAL1013 - PC painted Aluminium
 Support: PC grey RAL 7016 + metal
 Claws: Steel
 Halogen-free
 UV-resistant
 Self-extinguishing:
 850°C/30 s for insulating components holding live parts in place
 650°C/30 s for other insulating components.
 - **5.3 Electrical characteristics 2 P+E socket**
 Voltage: 250 V~
 Current: 16 A
 Frequency: 50/60 Hz
 - **5.4 Electrical characteristics USB socket**
 Integrated surge protection
- All values listed below are measured at an ambient temperature of + 25° and after 15 minutes of operation.

Connector	USB Type C
Nominal input voltage	250 V~
Nominal input frequency	50-60 Hz
Nominal input current	200 mA
Stand-by power consumption	0.07 W - 0.075 mA
Average active efficiency	82 %
Nominal output voltage	5 V=
Nominal output current	1.5 A
Efficiency can meet energy star level "VI"	
Protection class	II - Low voltage

5. TECHNICAL CHARACTERISTICS *(continued)*

■ 5.5 Climate characteristics

Storage temperature: -10°C to +70°C

Use temperature: -5°C to +35°C

6. CLEANING

Surface cleaning with a cloth.

Do not use: acetone, tar remover, trichlorethylene.

Caution: Always test before using other special cleaning products.

7. STANDARDS AND APPROVALS

Compliant with installation and manufacturing standards.

See e-catalogue.