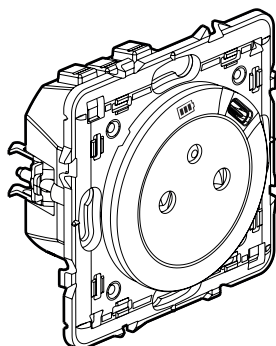


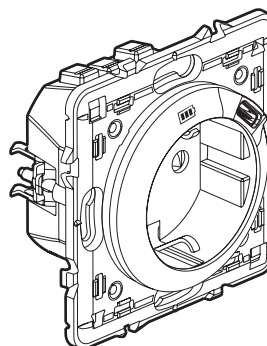
# Céliane™

## 2 P+E + USB Type C mixed socket outlet

Cat. Nos: 0 681 27 - 0 684 27 - 0 679 27  
0 681 19 - 0 684 19 - 0 679 13



0 681 27 - 0 684 27 - 0 679 27



0 681 19 - 0 684 19 - 0 679 13

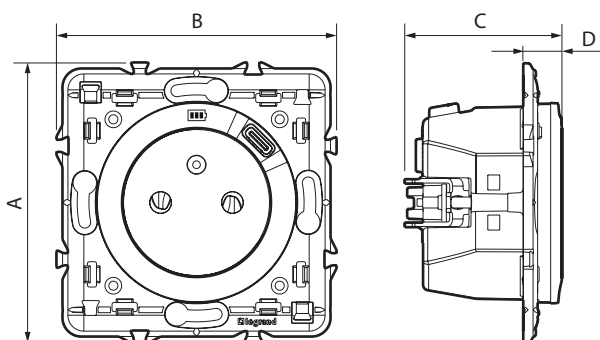
### 1. USE

2 P+E socket outlets with child protection.  
USB Type C socket: for recharging portable devices such as phones, smartphones, tablets, MP3, MP4, loudspeakers, watches, game consoles, powerbanks.  
Recessed mounting in box depth 40 mm min.  
Fixing with screws and/or claws.

### 2. RANGE

Description French standard	White	Titane	Graphite
Mixed socket composed of: - 2 P+E socket flush surface - 16 A - 250 V~ - single USB socket - 5 V= - 1.5 A - 7.5 W Supplied with secable support (spacing 71 mm) and cover plate.	0 681 27	0 684 27	0 679 27
Description German standard	White	Titane	Graphite
Mixed socket composed of: - 2 P+E socket - 16 A - 250 V~ - single USB Type C - 5 V= - 1,5 A - 7,5 W Supplied with secable support (spacing 71 mm) and cover plate.	0 681 19	0 684 19	0 679 13

### 3. DIMENSIONS (mm)



References	A	B	C	D
0 681 27 - 0 684 27 - 0 679 27	74	74	41.5	10
0 681 19 - 0 684 19 - 0 679 13	74	74	44.5	13

### 4. CONNECTION

- **4.1 2 P+E socket outlet**  
Type of terminals: automatics  
Terminal capacity: 6 x 2.5 mm<sup>2</sup>  
Stripping length: 11 mm  
Flexible or rigid cables compatible
- **4.2 Type C USB socket**  
Prewired socket

### 5. TECHNICAL CHARACTERISTICS

- **5.1 Mechanical characteristics**  
Protection against impact: IK 04  
Protection against solid bodies and liquids: IP 40
- **5.2 Material characteristics**  
Mechanism casing: PC  
Cover plate: PC White RAL 9003  
PC painted Titane - PC painted Graphite  
Support: PC grey RAL 7016 + metal  
Claws: Steel  
Halogen free  
UV resistant  
Self-extinguishing:  
850° C / 30 s for insulating parts holding live parts in place  
650° C / 30 s for other parts made of insulating materials.
- **5.3 Electrical characteristics 2 P+E socket**  
Voltage: 250 V~  
Current: 16 A  
Frequency: 50/60 Hz
- **5.4 Electrical characteristics USB socket**  
Integrated surge protection  
All values listed below are measured at an ambient temperature of + 25° and after 15 minutes of operation.

Connector	USB Type C
Nominal input voltage	250 V~
Nominal input frequency	50-60 Hz
Nominal input current	200 mA
Stand-by power consumption	0.07 W - 0.075 mA
Nominal output voltage	5 V=
Nominal output current	1.5 A
Efficiency can meet energy star level "VI" (≥ 76% measured at USB socket output side)	
Safety standard	EN62368-1
Protection class	II - Low voltage

## **5. TECHNICAL CHARACTERISTICS** *(continued)*

### ■ **5.5 Climatic characteristics**

Storage temperature: - 10° C to + 70° C

Use temperature: - 5° C to + 35° C

## **6. CLEANING**

Surface cleaning with a cloth.

Do not use: acetone, tar remover, trichlorethylene.

**Caution:** A preliminary test should be carried out if other specific cleaning products are to be used.

## **7. STANDARDS AND APPROVALS**

Compliant with installation and manufacturing standards.

See e-catalogue.