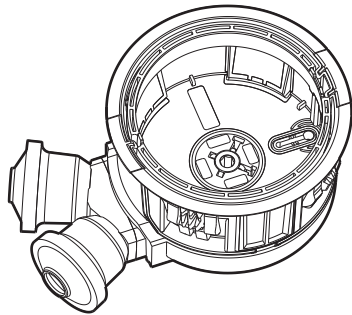
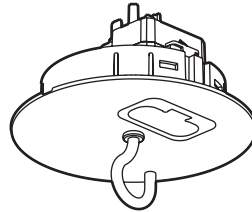


Modul'up™ Complete DCL kit

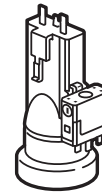
Cat. Nos: 0 885 25



Modul'up box



DCL plug



DCL lamp holder

1. USE

Lighting appliance.

Complete DCL kit includes :

- a Modul'up center box Ø 80 mm depth 50 mm
- a DCL outlet
- a DCL lamp holder

Allows the realization of a complete assembly.

2. RANGE

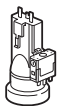
Description of DCL kit Cat. No 0 885 25



Modul'up box for false ceiling
 Allows you to put your installation in standby,
 connecting a DCL, connected DCL, spot or E27
 base.
 At the center point, can be used to suspend up to
 25 kg.



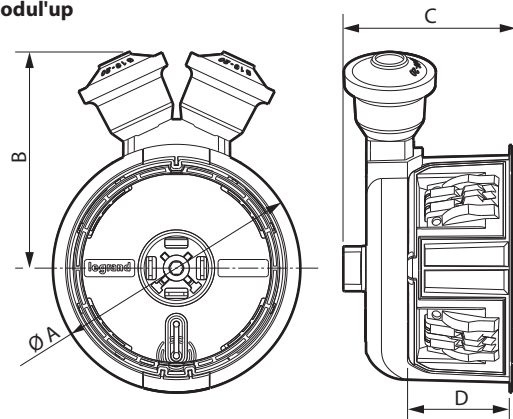
DCL plug with extra-slim cover
 For flush-fitting in the ceiling Ø 80 mm
 with pipe hook and protective plate to prevent
 paint splashes.



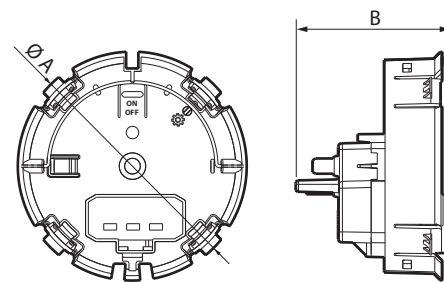
Compact DCL lamp holder
 E27 base
 Supplied with a removable plug for connecting
 (with screw) a luminaire to the DCL socket.

3. DIMENSIONS (mm)

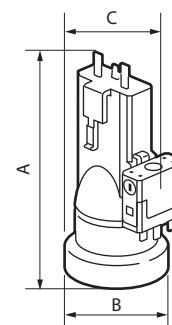
Box Modul'up



DCL plug



DCL lamp holder

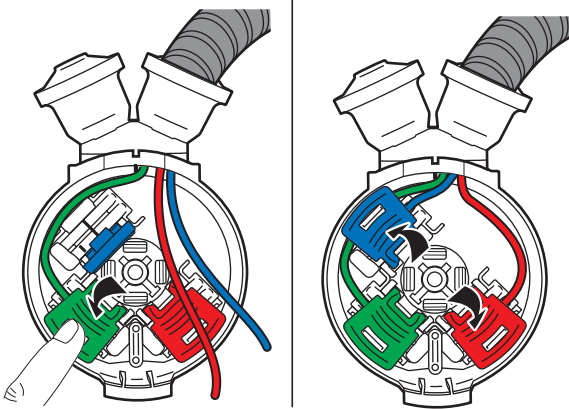


DCL kit 0 885 25	A	B	C	D
Box Modul'up	Ø 86	75	60	50
DCL plug	Ø 93	50,5	-	-
DCL lamp holder	83	38	52	-

4. CONNECTION

■ 4.1 Box Modul'up

Whitout tools or stripping
Cable section: 3 x 1.5 mm²
Conduit: 2 x (3 x 1.5 mm²)



■ 4.2 Standard DCL plug

Tool-free automatic connection by simply plugging into the Modul'up box (0 885 00).

■ 4.3 DCL lamp holder

Tool-free automatic connection by simply plugging into the DCL socket.

5. TECHNICAL CHARACTERISTICS

■ 5.1 Mechanical characteristics

Protection against impacts: IK 04
Protection against solid bodies/liquids: IP 20

■ 5.2 Material characteristics

Box Modul'up:

Casing: Black PC
Box: Yellow PP + Membrane: grey SEBS
End caps: PP + SEBS grey
Ring: grey PP

DCL 2 P+E socket:

Cover: White ABS
Hook: Grey steel

UV resistance

Halogen-free

Self-extinguishing:

850° C / 30 s for insulating parts holding live parts in place

650° C / 30 s for other parts made of insulating materials

■ 5.3 Electrical characteristics

Box Modul'up:

Voltage: 250 V~

Current: 6 A

DCL 2 P+E socket :

Voltage: 250 V~

Current: 6 A

Power: 300 W

DCL lamp holder with plug 2 P+E

Voltage: 250 V~

Current: 6 A

Power: 75 W

■ 5.4 Climate characteristics

Storage temperature: - 10° C to + 70° C

Use temperature: - 5° C to + 35° C

6. CARE

Clean the surface with a cloth.

Do not use acetone, tar-removing cleaning agents or trichloroethylene.

Caution: Always test before using special cleaning products.

7. STANDARDS AND APPROVALS

Compliant with installation and manufacturing standards.

See e-catalogue.