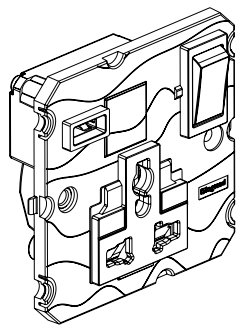


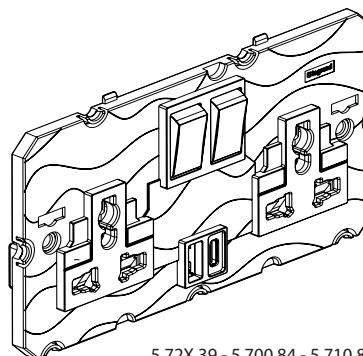
Arteor™

Multistandard socket outlets USB Type-A - Type-C charger

Cat. No(s): 5 700 83/84 - 5 710 83/84 - 5 721 38/39 - 5 726 38/39



5 72X 38 - 5 700 83 - 5 710 83



5 72X 39 - 5 700 84 - 5 710 84

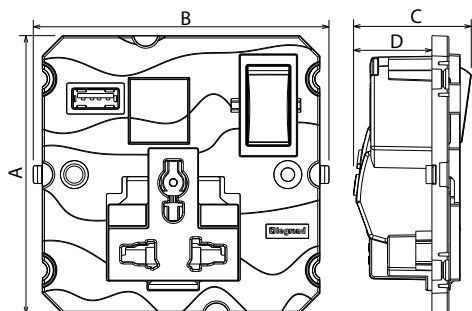
1. USE

For recharging portable devices such as phones, smartphones, tablets, MP3 or MP4 players, loudspeakers, watches, game consoles, powerbanks. Mechanism supplied with rocker plate, to be equipped with special plate Support frame not needed Shuttered for child safety

2. RANGE

Description	White	Magnesium	Soft Alu	Champagne
2P+E 1 gang switched + 1 USB Type-A (1 output Type-A)	5 721 38	5 726 38	5 700 83	5 710 83
2 x 2P+E 2 gang switched + 1 USB Type-A + 1 USB Type-C (1 output Type-A - 1 output Type-C)	5 721 39	5 726 39	5 700 84	5 710 84

3. DIMENSIONS (mm)



References	A	B	C	D
5 72X 38 - 5 700 83 - 5 710 83	78.5	83.5	33.3	22.2
5 72X 39 - 5 700 84 - 5 710 84	83.5	143.2	31.5	19.8

4. CONNECTION

Type of terminals: with screws
 Terminal capacity: 4 x 2.5 mm² - 3 x 4 mm² - 2 x 6mm²
 Stripping length: 12 mm

5. TECHNICAL CHARACTERISTICS

5.1 Mechanical characteristics

Impact tests: IK 04
 Penetration by solid bodies/liquid: IP 02

5.2 Material characteristics

Base: PP
 Cover-plate: PC
 Self-extinguishing:
 + 850° C / 30 s for insulating parts holding live parts in place.
 + 650° C / 30 s for other parts made of insulating materials.

5.3 Climatic characteristics

Storage temperature: - 20° C to + 70° C
 Operating temperature: 0° C to + 45° C

5.4 Electrical characteristics

Voltage: 250 V~
 Current: 2.5-5-6-10-13-16 A
 Voltage: 127 V~
 Current: 15 A
 Frequency: 50/60 Hz

All values listed below are measured at an ambient temperature of + 25° and after 15 minutes of operation.

Type	1 USB	2 USB
Nominal input voltage	100 - 250 V~	
Nominal input frequency	50-60 Hz	
Power consumption	12 W	15 W
Maximum input current	300 mA	
Maximum power consumption in standby	0.075 W	
Power average efficiency	80.3 %	
Nominal output voltage	5 V=	
Maximum output current	2.4 A	3 A*
No-load consumption and average energy efficiency: Level VI**		
Protection class	II - Low voltage	

* **Note** : shared on A and C output

****Note**: European Regulation No. 278/2009 of 6 April 2009, Directive 2005/32/EC on eco-design requirements for AC/DC power supplies.

Note : To optimize the charging time of your device, ensure to turn it off during the charging phase.

**Multistandard socket outlets
USB Type-A - Type-C charger**

6. CLEANING

Surface cleaning with a cloth.

Do not use: acetone, tar remover, trichlorethylene.

Caution: Always test before using other special cleaning products

7. STANDARDS AND APPROVALS

Compliance with installation and manufacturing standards.

Refer to e-catalogue.