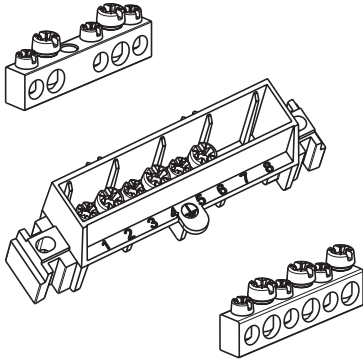


## S terminal blocks

Cat. No(s) : 1 340 00/01/02/03/05/10/11/12/13/15  
 1 348 00/01/02/03/06/07/08/09/10/11/12/13



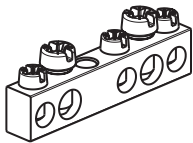
CONTENT	Page
1. General characteristics .....	1
2. Range .....	1
3. Electrical characteristics .....	1
4. Conformity .....	1
5. Mechanical characteristics .....	1
6. Installation .....	2

### 1. GENERAL CHARACTERISTICS

- . Screw-on terminal blocks
- . Universal terminal blocks on a support

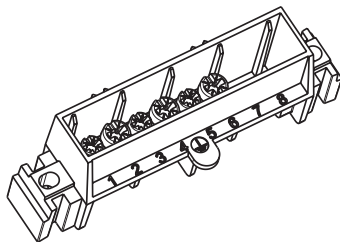
### 2. RANGE

#### Screw-on terminal blocks



Cat. No.		
Earth	Neutral	Length (mm)
1 340 00	1 340 10	40
1 340 01	1 340 11	64
1 340 02	1 340 12	113
1 340 03	1 340 13	144
1 340 05	1 340 15	297

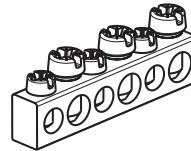
#### Universal terminal blocks on a support



Cat. No.		
Earth	Earth + Neutral	Length (mm)
1 348 00	1 340 10	75
1 348 01	1 340 11	140
1 348 02	1 340 12	227
1 348 03	1 340 13	271

### 2. RANGE (continued)

#### Modular terminal blocks



Cat. No.	
Earth	Length (mm)
1 348 06	26
1 348 07	63

### 3. ELECTRICAL CHARACTERISTICS

- 100 A max
- 400 V AC
- I<sub>sc</sub> = 6 kA rms
- IPK = 10 kA peak

### 4. COMPLIANCE

Conforming to standard IEC 60998-2-1 : 2002-12

### 5. MECHANICAL CHARACTERISTICS

#### 5.1 environmental conditions

Usage temperature : -5°C à +40°C  
 Storage temperature : -25°C à +70°C  
 Mechanical strength : IK04

#### 5.2 Materials

Base	Polycarbonate	Density	1,33 to 1,37
		Bending modulus	> 5 GPa
		Glow-wire	960°C / 30s
		Oxygen index	33
		Colour	Grey RAL 7035
Screw	Zinc-plated bichromate steel		
Bar	Brass		

## 6. INSTALLATION

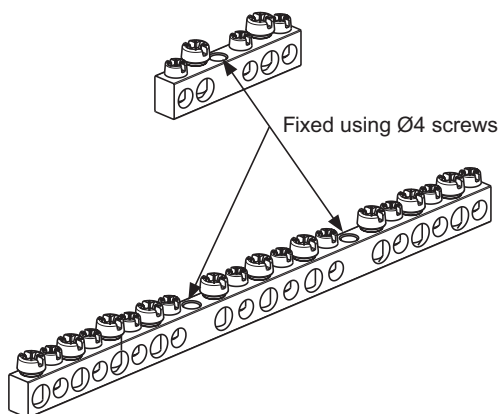
### 6.1 Fixing

#### Fixing terminal blocks on a support

Number of connections	On 12x2 bar	On Euro 022 rail $\Omega$	With screws at the end	On distribution block support
8	No	No	Yes	No
18	No	No	Yes	No
32	No	No	Yes	No
40	No	No	Yes	No

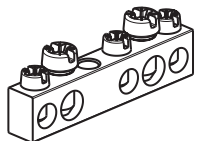
#### Borniers à visser

Number of connections	Fixing	Fixing centre
5	1 x M4 screw	
9	1 x M4 screw	
15	2 x M4 screws	49 mm
20	2 x M4 screws	49 mm
40	2 x M4 screws	274 mm



### 6.2 Connection

#### Screw-on terminal blocks

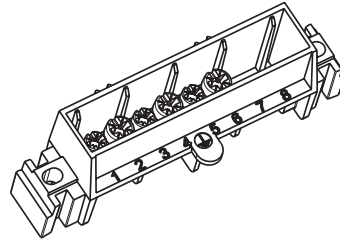


Cat. No.	High-capacity incomm 1,5 to 16 mm <sup>2</sup> (1)	Outgoer with capacity 1,5 to 10 mm <sup>2</sup> (2)
1 340 00	2	3
1 340 01	4	5
1 340 02	7	8
1 340 03	10	10
1 340 05	20	20

(1) without ferrule (0,75 to 10 mm<sup>2</sup> with ferrule)

(2) without ferrule (0,75 to 6 mm<sup>2</sup> with ferrule)

#### Universal terminal blocks on a support

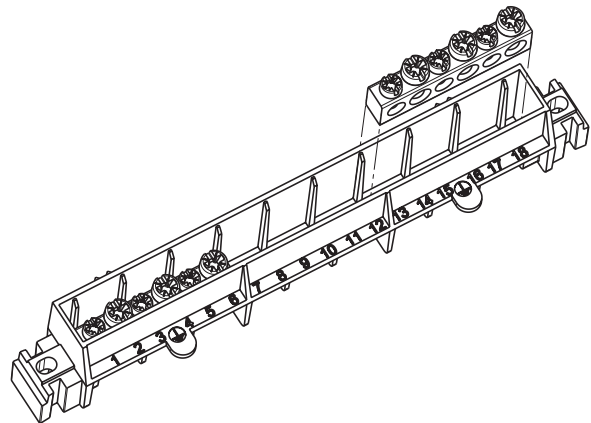


	Earth	Earth + Neutral	High-capacity incomm 1,5 to 16 mm <sup>2</sup> (1)	Outgoer with capacity 1,5 to 10 mm <sup>2</sup> (2)
1 348 00			2	2
1 348 01			3	3
1 348 02			12	12
1 348 03			12	12
	1 348 10		2 x 2	2 x 2
	1 348 11		2 x 3	2 x 3
	1 348 12		2 x 12	2 x 12
	1 348 13		2 x 12	2 x 12

(1) without ferrule (0,75 to 10 mm<sup>2</sup> with ferrule)

(2) without ferrule (0,75 to 6 mm<sup>2</sup> with ferrule)

#### Modular terminal blocks



Cat. No.	High-capacity incomm 1,5 to 16 mm <sup>2</sup> (1)	Outgoer with capacity 1,5 to 10 mm <sup>2</sup> (2)
1 348 06	2	2
1 346 07	5	5

(1) without ferrule (0,75 to 10 mm<sup>2</sup> with ferrule)

(2) without ferrule (0,75 to 6 mm<sup>2</sup> with ferrule)

#### Tools required :

- Flat blade screwdriver  $\varnothing 5,5$  mm
- PZ2 Phillips screwdriver
- Screw torque : 3 to 5 cm/kg
- Tightening torque :  
max : 35 cm/kg  
recommended : 25 cm/kg