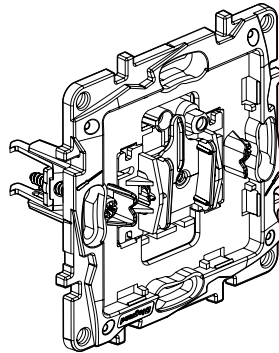


Niloé™ Step Two-way switch 16 AX

Cat. No(s): 8 640 16 - 8 641 01 - 8 643 01
8 645 01 - 8 646 01



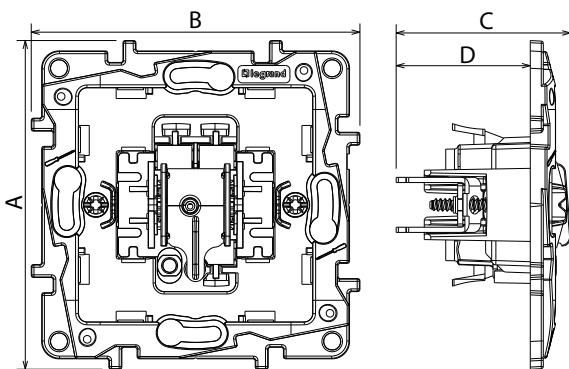
1. USE

Lighting controls mechanisms.
Supplied with protection cover.
Flush or surface mounting.
Screw or screw and claw mounting with claws.
To be fitted with one-gang or multi-gang plates.

2. RANGE

Description	Mechanism only	Mechanism + Cover plate	Cover plate only			
		White	White	Aluminium	Black	Sand
Two-way switch 16 AX	8 640 16	-	8 641 01	8 643 01	8 645 01	8 646 01

3. DIMENSIONS (mm)



A	B	C	D
75.8	75.8	40.2	31

4. CONNECTION

Type of terminals: automatic
Terminal capacity: 2 x 2.5 mm²
Stripping length: 13 mm
Compatible with flexible or rigid cables.

5. TECHNICAL CHARACTERISTICS

■ 5.1 Mechanical characteristics

Protection against solid bodies and liquids: IP 20
Protection against mechanical impact: IK 04

■ 5.2 Material characteristics

Material: - Box of the mechanism: PC
- Halogen free
- UV resistant
- Claws: steel

Material of the support : - PC
- Halogen free

Self-extinguishing:

+ 850° C / 30 s for insulating parts holding live parts in place.

+ 650° C / 30 s for other parts made of insulating materials.

■ 5.3 Electrical characteristics

Voltage: 250 V~

Current: 16 AX,

Maximum power on integrated ballast lamps: 200 W

Frequency: 50/60 Hz

■ 5.4 Climatic characteristics

Storage and use temperature: - 5° C to + 35° C

6. CLEANING

Surface cleaning with a cloth.

Do not use: acetone, tar remover, trichloroethylene.

Maintenance with the following products:

Hexane (EN 60669-1), Methylated spirit, Soapy water, Diluted ammonia, Bleach diluted to 10%, Window-cleaning products.

Caution: A preliminary test should be carried out if other specific cleaning products are to be used.

7. STANDARDS AND APPROVALS

Compliant with installation and manufacturing standards.

See e.catalogue.