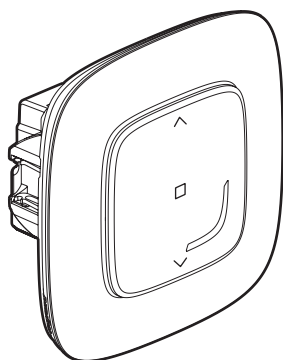


Valena™ Allure

Connected switch for roller shutters and orientable sun shades

Cat. No(s): 7 525 90 - 7 526 90 - 7 527 90 - 7 528 90 - 7 529 90



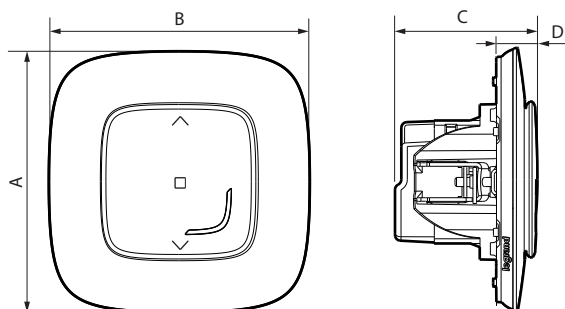
1. USE

For local or remote control of roller shutters or orientable sun shades remotely or locally.
 Can be combined with one or more wireless roller shutters controls.
 Can be installed in place of an existing roller shutter switch in a flush-mounting box 40 mm deep (minimum).
 The Valena with Netatmo solution is compatible with roller shutters and orientable sun shades (OSS) with a mechanical or electromechanical stop, controlled by a standard wired switch for roller shutters.
Caution: Must be connected to the neutral.
 Not compatible with radio-controlled roller shutters motors.
 Claw and/or screw fixing.
 Self calibration function to enable roller shutters level control.
 Orientable sun shades control function (to be selected in Home + Control App).

2. RANGE

Description	White	Ivory	Aluminium	Black	Pearl
Connected switch for roller shutters supplied complete. Supplied with claws and site protection cover. Equipped with an LED indicator. Hidden reset button used to return to factory settings.	7 525 90	7 526 90	7 527 90	7 528 90	7 529 90

3. DIMENSIONS (mm)



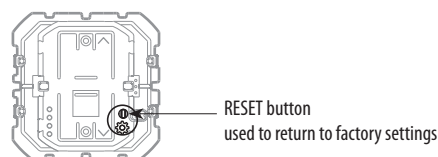
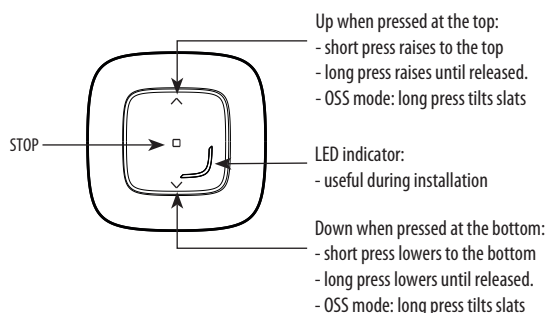
A	B	C	D
90	90	46	13

4. CONNECTION

Terminal type: screw
 Terminal capacity: 1 x 2.5 mm² - 2 x 1.5 mm²
 Stripping length: 8 mm
 Screwdriver: 3 mm flat

5. OPERATION

Integrated time delay for up/down inversion = 500 ms



6. TECHNICAL CHARACTERISTICS

■ 6.1 Mechanical characteristics

Protection against impacts: IK 04

Protection against solid bodies/liquids: IP 41 assembled product

■ 6.2 Material characteristic

Plate: ABS

Sub-plate: PC

Cover plate: ABS

Mechanism casing: PC

Support: PC Grey RAL 7016 + metal

Halogen-free

UV-resistant

Self-extinguishing:

850°C/30 s for insulating components holding live parts in place.

650°C/30 s for other insulating components.

■ 6.3 Electrical characteristics

Voltage: 110/230 V~

Current: 2 A

Power: 500 W bulb

Standby consumption: 0.1 mA

Zigbee technology 2.4 GHz to 2.4835 GHz

Power level: < 100 mW

Range: 200 m of unobstructed space

10 m between products

■ 6.4 Climate characteristics

Storage temperature: 0°C to + 45°C

Usage temperature: + 5°C to + 45°C

7. CARE

Clean the surface with a cloth.

Do not use acetone, tar-removing cleaning agents or trichloroethylene.

Resistant to the following products: Hexane (EN 60669-1), methylated spirit, soapy water, diluted ammonia, bleach diluted to 10%, window-cleaning products, pre-impregnated wipes.

Caution: Always test before using special cleaning products.

The plates must not be painted

8. STANDARDS AND APPROVALS

Compliant with installation and manufacturing standards.

See e-catalogue.

The undersigned, LEGRAND, declares that the radio-electric equipment type (7 525 90 - 7 526 90 - 7 527 90 - 7 528 90 - 7 529 90) complies with directive 2014/53/EU.

The full text of the EU declaration of conformity is available on the following website: www.legrandoc.com