

CONTENTS	Page
1. Description, use .....	1
2. Range .....	1
3. Dimensions.....	2
4. General characteristics .....	4
5. Compliance and approvals.....	6
6. Installation add-ons.....	6

## 1. DESCRIPTION, USE

Flush-mounting cabinets with 1 to 4 rows, 4 to 22 modules depending on the model, for residential and small commercial installations.  
 2 door finishes: white or transparent (smoked)  
 Flush-mounted in dry partition (class Ha), brick or masonry walls, with 72 mm shallow box.  
 Boxes for dry partitions: green with resistance to glow wire 850°C, fixing claws supplied  
 Boxes for masonry: black with resistance to glow wire 650°C  
 Conforming to standard IEC 60 670-24 Edition 2.0 2011-03  
 Used to create assemblies conforming to IEC 61 439-3 Edition 1.0 2012-02  
 Flush-mounting box 72 mm deep classified 7-8-1 in accordance with IEC 60 670-24  
 Space under rails: 10 mm  
 Distance between rails: 150 mm

## 2. RANGE

All the catalogue items below are supplied without a terminal block.

Cat. No.	No. of rows	No. of modules per row	Box type	Door colour
1 340 04	1	4	Masonry	white
1 340 14				transparent
1 340 24			Dry partition	white
1 340 34				transparent
1 340 06	1	6	Masonry	white
1 340 16				transparent
1 340 26			Dry partition	white
1 340 36				transparent
1 340 08	1	8	Masonry	white
1 340 18				transparent
1 340 28			Dry partition	white
1 340 38				transparent
1 350 01	1	12	Masonry	white
1 350 11				transparent
1 350 21			Dry partition	white
1 350 31				transparent
1 350 02	2	12	Masonry	white
1 350 12				transparent
1 350 22			Dry partition	white
1 350 32				transparent

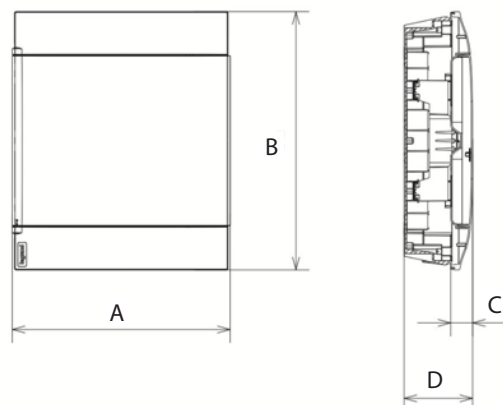
**2. RANGE (continued)**

Cat. No.	No. of rows	No. of modules per row	Box type	Door colour
1 350 03	3	12	Masonry	white
1 350 13				transparent
1 350 23			Dry partition	white
1 350 33				transparent
1 350 04	4	12	Masonry	white
1 350 14				transparent
1 350 24			Dry partition	white
1 350 34				transparent
1 370 06	1	18	Masonry	white
1 370 16				transparent
1 370 26			Dry partition	white
1 370 36				transparent
1 370 07	2	18	Masonry	white
1 370 17				transparent
1 370 27			Dry partition	white
1 370 37				transparent
1 370 08	3	18	Masonry	white
1 370 18				transparent
1 370 28			Dry partition	white
1 370 38				transparent
1 370 09	4	18	Masonry	white
1 370 19				transparent
1 370 29			Dry partition	white
1 370 39				transparent
1 370 05	1	22	Masonry	white
1 370 15				transparent
1 370 25			Dry partition	white
1 370 35				transparent

**3. DIMENSIONS**

**3.1 Dimensions**

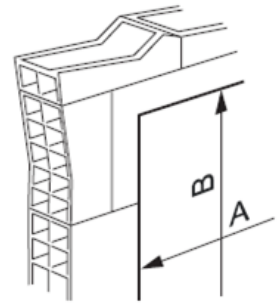
Cat. Nos.	No. of rows	No. of modules per row	A (mm)	B (mm)	C (mm)	D (mm)
1 340 04/14/24/34	1	4	184	215	30	102
1 340 06/16/26/36	1	6	220	215	30	102
1 340 08/18/28/38	1	8	256	225	30	102
1 350 01/11/21/31	1	12	328	235	32	104
1 350 02/12/22/32	2	12	328	385	33	105
1 350 03/13/23/33	3	12	328	535	33	105
1 350 04/14/24/34	4	12	328	765	33	105
1 370 06/16/26/36	1	18	436	235	32	104
1 370 07/17/27/37	2	18	436	385	33	105
1 370 08/18/28/38	3	18	436	615	33	105
1 370 09/19/29/39	4	18	436	765	33	105
1 370 05/15/25/35	1	22	508	235	32	104



**3. DIMENSIONS** (continued)

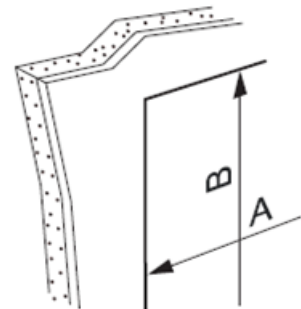
■ **3.2 Cut-out dimensions in masonry wall**

Cat. Nos.	No. of rows	No. of modules per row	A (mm)	B (mm)
1 340 04/14	1	4	166	215
1 340 06/16	1	6	202	215
1 340 08/18	1	8	238	225
1 350 01/11	1	12	310	235
1 350 02/12	2	12	310	385
1 350 03/13	3	12	310	535
1 350 04/14	4	12	310	765
1 370 06/16	1	18	418	235
1 370 07/17	2	18	418	385
1 370 08/18	3	18	418	615
1 370 09/19	4	18	418	765
1 370 05/15	1	22	490	235



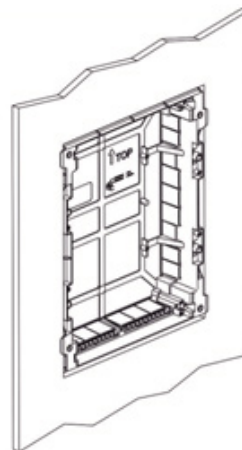
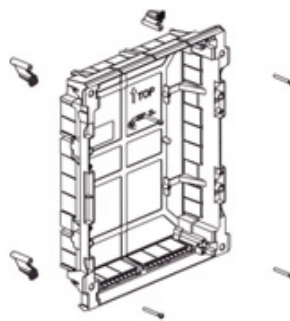
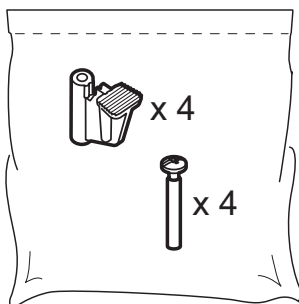
■ **3.3 Cut-out dimensions for mounting in dry partitions**

Cat. Nos.	No. of rows	No. of modules per row	A (mm)	B (mm)
1 340 24/34	1	4	142	205
1 340 26/36	1	6	178	205
1 340 28/38	1	8	214	215
1 350 21/31	1	12	286	225
1 350 22/32	2	12	286	375
1 350 23/33	3	12	286	525
1 350 24/34	4	12	286	755
1 370 26/36	1	18	394	225
1 370 27/37	2	18	394	375
1 370 28/38	3	18	394	605
1 370 29/39	4	18	394	755
1 370 25/35	1	22	466	225




The dry partition fixing kit is included with boxes intended for this type of use

• Tightening torque of claw screws: 0.8 Nm



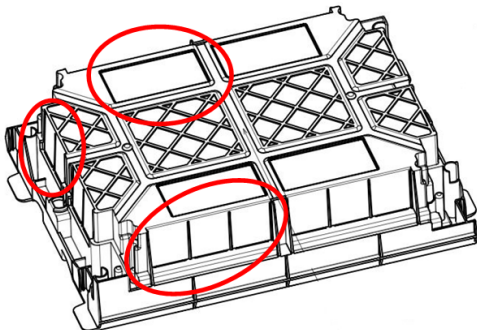
#### 4. GENERAL CHARACTERISTICS

##### ■ 4.1 Technical characteristics

- . Cover colour: white RAL 9003
- . Door colour: white RAL 9003 or transparent (smoked)
- . Protection index:
  - IP40 - IK07 with door according to IEC 60 670-24 Edition 2.0 2011-03
  - IP42 - IK07 with door according to IEC 60529:2001
- . Self-extinguishing in accordance with IEC 60695-2-11 Edition 2.0 2014-02:
  - boxes for dry partitions 850°C/for masonry 650°C
  - covers, flaps 650°C
- . Operating torque of cover metal screws: 1.2 Nm
- . Class II double insulation 
- . Rated operating voltage: 400 VAC - 50/60 Hz
- . Rated insulation voltage Ui: 400 VAC - 50/60 Hz
- . Rated impulse withstand voltage: Uimp = 6 kV
- . Short-circuit current: Icc max 10 kA
- . Storage and installation temperature: -25°C to +70°C
- . Usage temperature: -10°C to +40°C
- . Permissible loads: 40 N per row
- . Enclosures classified GP and PD
- . Maximum permissible current and dissipated power:

Cat. Nos.	No. of rows	No. of modules per row	Max. permissible current (I <sub>na</sub> )	Dissipated power (P <sub>de</sub> )
1 340 04/14/24/34	1	4	40 A	10 W
1 340 06/16/26/36	1	6	40 A	12 W
1 340 08/18/28/38	1	8	63 A	16 W
1 350 01/11/21/31	1	12	63 A	23 W
1 350 02/12/22/32	2	12	90 A	34 W
1 350 03/13/23/33	3	12	90 A	40 W
1 350 04/14/24/34	4	12	90 A	57 W
1 370 06/16/26/36	1	18	63 A	31 W
1 370 07/17/27/37	2	18	90 A	47 W
1 370 08/18/28/38	3	18	90 A	57 W
1 370 09/19/29/39	4	18	90 A	66 W
1 370 05/15/25/35	1	22	90 A	36 W

##### ■ 4.2 Tube entries



#### 4. GENERAL CHARACTERISTICS (continued)

##### 4.2.1. 4-module cabinets

Cat. Nos.	Number of rows	Modules per row	Ø25 mm at the top of the box	Ø25 mm at the bottom of the box	Ø20 mm on the right of the box	Ø20 mm on the left of the box	2 Ø16 mm or 1 Ø20 mm at the back of the box
1 340 04/14/24/34	1	4	2	2	4	4	4

##### 4.2.2. 6-module cabinets

Cat. Nos.	Number of rows	Modules per row	Ø25 mm at the top of the box	Ø25 mm at the bottom of the box	Ø20 mm on the right of the box	Ø20 mm on the left of the box	38x38 mm square hole at the back of the box
1 340 06/16/26/36	1	6	3	3	4	4	4

##### 4.2.3. 8-module cabinets

Cat. Nos.	Number of rows	Modules per row	Ø30 mm at the top of the box	Ø30 mm at the bottom of the box	Ø25 mm on the right of the box	Ø25 mm on the left of the box	60x30 mm oblong hole at the back of the box
1 340 08/18/28/38	1	8	3	3	4	4	4

##### 4.2.4. Cabinets with 12 modules per row

Cat. Nos.	Number of rows	Modules per row	Ø30 mm at the top of the box	Ø30 mm at the bottom of the box	Ø30 mm on the right of the box	Ø25 mm on the right of the box	Ø30 mm on the left of the box	Ø25 mm on the left of the box	70x35 mm at the back of the box
1 350 01/11/21/31	1	12	6	6	-	4	-	4	4
1 350 02/12/22/32	2	12	6	6	3	4	3	4	6
1 350 03/13/23/33	3	12	6	6	6	4	6	4	8
1 350 04/14/24/34	4	12	6	6	9	4	9	4	10

##### 4.2.5. Cabinets with 18 modules per row

Cat. Nos.	Number of rows	Modules per row	Ø20 mm at the top of the box	Ø30 mm at the top of the box	Ø20 mm at the bottom of the box	Ø30 mm at the bottom of the box	Ø30 mm on the right of the box	Ø30 mm on the left of the box	Ø30 mm at the back of the box	125x 45 mm at the back of the box	125x 35 mm at the back of the box	100x 70 mm at the back of the box	100x 35 mm at the back of the box
1 370 06/16/26/36	1	18	-	6	-	6	4	4	-	-	-	-	4
1 370 07/17/27/37	2	18	2	8	2	8	5	5	4	-	2	-	4
1 370 08/18/28/38	3	18	2	8	2	8	8	8	4	4	-	4	-
1 370 09/19/29/39	4	18	2	8	2	8	11	11	4	6	-	4	-

##### 4.2.6. 22-module cabinets

Cat. Nos.	Number of rows	Modules per row	Ø30 mm at the top of the box	Ø30 mm at the bottom of the box	Ø25 mm on the right of the box	Ø25 mm on the left of the box	40x35 mm at the back of the box	100x35 mm at the back of the box
1 370 05/15/25/35	1	22	8	8	4	4	4	4

#### ■ 4.3 Materials

- . Cover, flush-mounting box, white door, blanking plate: polystyrene (PS)
- . Transparent door: Methacrylate Acrylonitrile Butadiene Styrene (MABS)
- . Rail support: Polycarbonate (PC)
- . Screws: steel
- . Rails: galvanised steel
- . Fixing claws for dry partition: polystyrene (PS)

#### 4. GENERAL CHARACTERISTICS *(continued)*

##### ■ 4.4 Accessories supplied with the cabinet

Cat. Nos.	Number of rows	Modules per row	Dry partition claws	5-module blanking plate
1 340 04/14	1	4	-	-
1 340 24/34			1	-
1 340 06/16	1	6	-	-
1 340 26/36			1	-
1 340 08/18	1	8	-	-
1 340 28/38			1	-
1 350 01/11	1	12	-	-
1 350 21/31			1	-
1 350 02/12	2	12	-	-
1 350 22/32			1	-
1 350 03/13	3	12	-	-
1 350 23/33			1	-
1 350 04/14	4	12	-	-
1 350 24/34			1	-
1 370 06/16	1	18	-	1
1 370 26/36			1	1
1 370 07/17	2	18	-	1
1 370 27/37			1	1
1 370 08/18	3	18	-	2
1 370 28/38			1	2
1 370 09/19	4	18	-	2
1 370 29/39			1	2
1 370 05/15	1	22	-	1
1 370 25/35			1	1

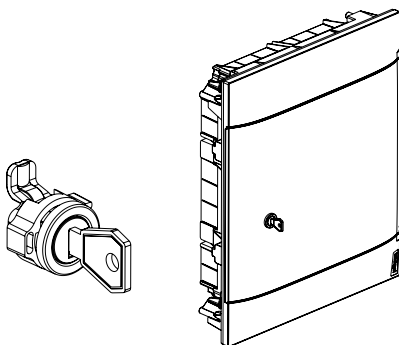
#### 5. COMPLIANCE AND APPROVALS

- . IEC 60 670-24 Edition 2.0 2011-03
- . Used to create assemblies conforming to IEC 61 439-3 Edition 1.0 2012-02
- . IEC 60 695-2-11: Edition 2014-09
- . RoHS
- . WEEE
- . REACH
- . PEP sheet

#### 6. INSTALLATION ADD-ONS

##### ■ 6.1 Key lock No. 850

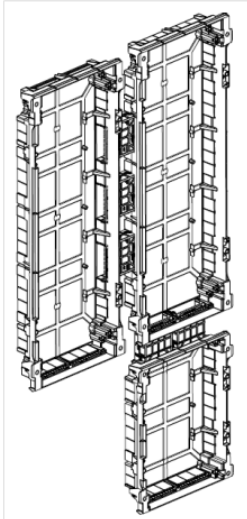
Cat. No. 1 341 00



**6. INSTALLATION ADD-ONS** (continued)

■ **6.2 Horizontal and vertical joining kit Cat. No. 1 341 02**

The kit can be used to join flush-mounting boxes vertically or horizontally.



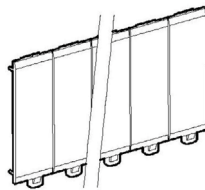
■ **6.3 White RAL 9003 blanking plates**

Can be separated for each module or half-module

5 modules: Cat. No. 0 016 60

13 modules: Cat. No. 0 016 62

18 modules: Cat. No. 0 016 64



■ **6.4 Additional terminal blocks**

Additional terminal blocks can be mounted at the top and bottom of cabinets in the designated areas.

**6.4.1. Unprotected terminal blocks**

Cat. Nos.	Size	Terminal block capacity	Accessories	
			Unprotected terminal blocks which can be added	
			Earth	Neutral
1 340 04/14/24/34	1x4M	2	1 340 00/01	1 340 10/11
1 340 06/16/26/36	1x6M	2	1 340 00/01	1 340 10/11
1 340 08/18/28/38	1x8M	2	1 340 00/01/02/03	1 340 10/11/12/13
1 350 01/11/21/31	1x12M	2	1 340 00/01/02/03	1 340 10/11/12/13
1 350 02/12/22/32	2x12M	2	1 340 00/01/02/03	1 340 10/11/12/13
1 350 03/13/23/33	3x12M	2	1 340 00/01/02/03	1 340 10/11/12/13
1 350 04/14/24/34	4x12M	2	1 340 00/01/02/03	1 340 10/11/12/13
1 370 06/16/26/36	1x18M	2	1 340 00/01/02/03	1 340 10/11/12/13
1 370 07/17/27/37	2x18M	2	1 340 00/01/02/03/05	1 340 10/11/12/13/15
1 370 08/18/28/38	3x18M	2	1 340 00/01/02/03/05	1 340 10/11/12/13/15
1 370 09/19/29/39	4x18M	2	1 340 00/01/02/03/05	1 340 10/11/12/13/15
1 370 05/15/25/35	1x22M	2	1 340 00/01/02/03/05	1 340 10/11/12/13/15

**6. INSTALLATION ADD-ONS** *(continued)*

**6.4.2. Unprotected terminal blocks on a support**

Cat. Nos.	Size	Terminal block capacity	Accessories	
			Unprotected terminal blocks on a support which can be added	
			Earth	Neutral
1 340 04/14/24/34	1x4M	2	1 348 00	1 348 10
1 340 06/16/26/36	1x6M	2	1 348 01	1 348 11
1 340 08/18/28/38	1x8M	2	1 348 01	1 348 11
1 350 01/11/21/31	1x12M	2	1 348 02	1 348 12
1 350 02/12/22/32	2x12M	2	1 348 02	1 348 12
1 350 03/13/23/33	3x12M	2	1 348 02	1 348 12
1 350 04/14/24/34	4x12M	4	1 348 02	1 348 12
1 370 06/16/26/36	1x18M	2	1 348 04	1 348 14
1 370 07/17/27/37	2x18M	2	1 348 05	1 348 15
1 370 08/18/28/38	3x18M	4	1 348 05	1 348 15
1 370 09/19/29/39	4x18M	4	1 348 05	1 348 15
1 370 05/15/25/35	1x22M	2	-	1 348 16

