

CONTENTS	Page
1. Description, use .....	1
2. Range .....	1
3. Dimensions.....	1
4. General characteristics .....	2
5. Compliance and approvals.....	3
6. Installation add-ons.....	4

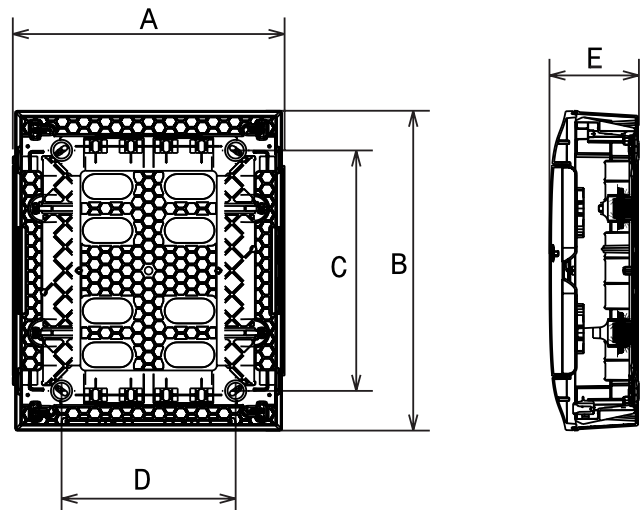
## 1. DESCRIPTION, USE

Surface-mounting cabinets with 1 to 4 rows, 4 to 22 modules depending on the model, for residential and small commercial installations.  
2 door finishes: white or transparent (smoked)  
Conforming to standard IEC 60 670-24 Edition 2.0 2011-03  
Used to create assemblies conforming to IEC 61 439-3 Edition 1.0 2012-02  
These cabinets are only designed for wall-mounting installation  
Space under rails: 10 mm  
Distance between rails: 150 mm

## 2. RANGE

Cat. No.	No. of rows	No. of modules per row	Door colour
1 341 04	1	4	white
1 341 14			transparent
1 341 08	1	8	white
1 341 18			transparent
1 351 01	1	12	white
1 351 11			transparent
1 351 02	2	12	white
1 351 12			transparent
1 351 03	3	12	white
1 351 13			transparent
1 351 04	4	12	white
1 351 14			transparent
1 371 06	1	18	white
1 371 16			transparent
1 371 07	2	18	white
1 371 17			transparent
1 371 08	3	18	white
1 371 18			transparent
1 371 09	4	18	white
1 371 19			transparent

## 3. DIMENSIONS



Cat. Nos.	No. of rows	No. of modules per row	A (mm)	B (mm)	C (mm)	D (mm)	E (mm)
1 341 04/14	1	4	184	216	120	72	100
1 341 08/18	1	8	256	226	120	150	100
1 351 01/11	1	12	328	236	140	210	107
1 351 02/12	2	12	328	386	290	210	108
1 351 03/13	3	12	328	536	440	210	108
1 351 04/14	4	12	328	766	600	210	108
1 371 06/16	1	18	436	236	140	320	107
1 371 07/17	2	18	436	386	290	320	108
1 371 08/18	3	18	436	616	470	320	108
1 371 09/19	4	18	436	766	620	320	108

#### 4. GENERAL CHARACTERISTICS

##### ■ 4.1 Technical characteristics

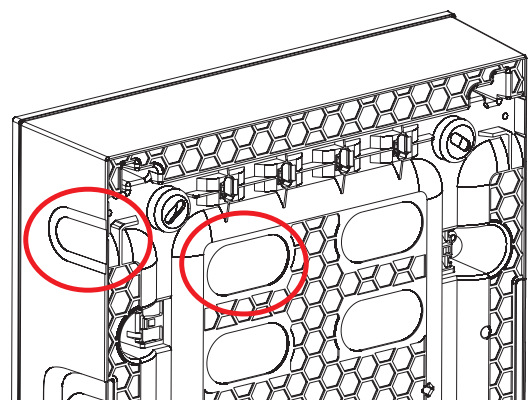
- . Cover colour: white RAL 9003
- . Door colour: white RAL 9003 or transparent (smoked)
- . Protection index:
  - IP40 - IK07 with door conforming to IEC 60 670-24 Edition 2.0 2011-03
  - IP42 - IK07 according to IEC 60529:2001
- . Self-extinguishing in accordance with IEC 60695-2-11 Edition 2.0 2014-02: 650°C
- . Operating torque of cover metal screws: 1.2 Nm
- . Class II double insulation
- . Rated operating voltage: 400 VAC - 50/60 Hz
- . Rated insulation voltage: 400 VAC - 50/60 Hz
- . Rated impulse withstand voltage: Uimp = 6 kV
- . Short-circuit current: Icc max = 10 kA
- . Storage and installation temperature: -25°C to +70°C
- . Usage temperature: -10°C to +40°C
- . Permissible loads: 40 N per row
- . Enclosures classified GP and PD
- . Maximum permissible current and dissipated power:

Cat. Nos.	No. of rows	No. of modules per row	Max. permissible current	Dissipated power (Pde)
1 341 04/14	1	4	40 A	12 W
1 341 08/18	1	8	63 A	14 W
1 351 01/11	1	12	63 A	19 W
1 351 02/12	2	12	90 A	28 W
1 351 03/13	3	12	90 A	38 W
1 351 04/14	4	12	90 A	50 W
1 371 06/16	1	18	63 A	25 W
1 371 07/17	2	18	90 A	35 W
1 371 08/18	3	18	90 A	49 W
1 371 09/19	4	18	90 A	58 W

These cabinets are only designed for installation on a flat surface (the surface area of the wall on which they are mounted must be larger than the cabinet dimensions, pole-mounting not permitted).

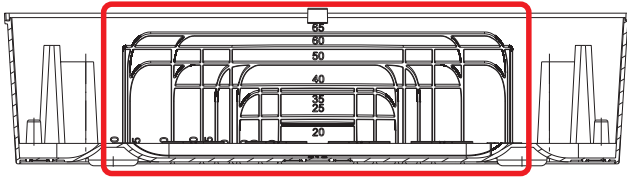
##### ■ 4.2 Tube entries

Cat. Nos.	No. of rows	No. of modules per row	Ø30 mm tube at the back of the box	Ø30 mm tube on the right of the box	Ø30 mm tube on the left of the box	46x30 mm oblong hole at the back of the box
1 341 04/14	1	4	2	2	2	-
1 341 08/18	1	8	-	2	2	2
1 351 01/11	1	12	-	2	2	4
1 351 02/12	2	12	-	4	4	8
1 351 03/13	3	12	-	6	6	12
1 351 04/14	4	12	-	8	8	16
1 371 06/16	1	18	-	2	2	6
1 371 07/17	2	18	-	4	4	12
1 371 08/18	3	18	-	6	6	18
1 371 09/19	4	18	-	8	8	24



#### 4. GENERAL CHARACTERISTICS (continued)

##### ■ 4.3 Duct entries



Cat. Nos.	No. of rows	No. of modules per row	105x35 mm or 105x50 mm duct on right of cabinet	105x35 mm or 105x50 mm duct on left of cabinet	25x20 mm to 90x60 mm duct at top of cabinet	40x20 mm to 200x65 mm duct at top of cabinet
1 341 04/14	1	4	-	-	1	-
1 341 08/18	1	8	-	-	1	-
1 351 01/11	1	12	-	-	-	1
1 351 02/12	2	12	1	1	-	1
1 351 03/13	3	12	2	2	-	1
1 351 04/14	4	12	3	3	-	1
1 371 06/16	1	18	-	-	-	1
1 371 07/17	2	18	1	1	-	1
1 371 08/18	3	18	2	2	-	1
1 371 09/19	4	18	3	3	-	1

##### ■ 4.4 Materials

- . Cover, base, white door, blanking plate: polystyrene (PS)
- . Transparent door: Methacrylate Acrylonitrile Butadiene Styrene (MABS)
- . Rails: galvanised steel
- . Screws: steel
- . Injection-moulded caps: Styrene Butadiene Styrene (SBS)

##### ■ 4.5 Accessories supplied with the cabinet

These cabinets are supplied without accessories

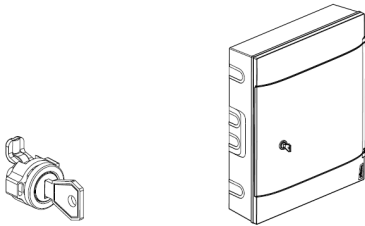
Cat. Nos.	No. of rows	No. of modules per row	5-module blanking plate
1 341 04/14	1	4	-
1 341 08/18	1	8	-
1 351 01/11	1	12	-
1 351 02/12	2	12	-
1 351 03/13	3	12	-
1 351 04/14	4	12	-
1 371 06/16	1	18	1
1 371 07/17	2	18	1
1 371 08/18	3	18	2
1 371 09/19	4	18	2

## 5. COMPLIANCE AND APPROVALS

- . IEC 60 670-24 Edition 2.0 2011-03
- . Used to create assemblies conforming to IEC 61 439-3 Edition 1.0 2012-02
- . IEC 60 695-2-11: 2014-09
- . RoHS
- . WEEE
- . REACH
- . PEP sheet

## 6. INSTALLATION ADD-ONS

### ■ 6.1 Key lock No. 850 Cat. No. 1 341 00

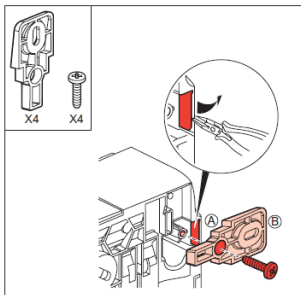


### ■ 6.2 External fixing lugs Cat. No. 4 018 56

External fixing lugs can be used on cabinets with 12-18 and 22 modules.

For external fixing if the fixing holes at the back of the cabinet have been rendered inaccessible by prewiring.

Tightening torque of external fixing lug screws: 1.2 Nm



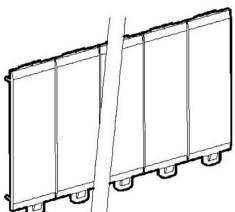
### ■ 6.3 White RAL 9003 blanking plates

Can be separated for each module or half-module

5 modules: Cat. No. 0 016 60

13 modules: Cat. No. 0 016 62

18 modules: Cat. No. 0 016 64



## ■ 6.4 Additional terminal blocks

Additional terminal blocks can be mounted at the top and bottom of cabinets in the designated areas.

### 6.4.1. Unprotected terminal blocks

Cat. Nos.	Size	Terminal block capacity	Accessories	
			Terminal blocks which can be added	
			Earth	Neutral
1 341 04/14	1x4M	2	1 340 00/01/02	1 340 10/11/12
1 341 08/18	1x8M	2	1 340 00/01/02/03	1 340 10/11/12/13
1 351 01/11	1x12M	2	1 340 00/01/02/03	1 340 10/11/12/13
1 351 02/12	2x12M	2	1 340 00/01/02/03	1 340 10/11/12/13
1 351 03/13	3x12M	2	1 340 00/01/02/03	1 340 10/11/12/13
1 351 04/14	4x12M	2	1 340 00/01/02/03	1 340 10/11/12/13
1 371 06/16	1x18M	2	1 340 00/01/02/03/05	1 340 10/11/12/13/15
1 371 07/17	2x18M	2	1 340 00/01/02/03/05	1 340 10/11/12/13/15
1 371 08/18	3x18M	2	1 340 00/01/02/03/05	1 340 10/11/12/13/15
1 371 09/19	4x18M	2	1 340 00/01/02/03/05	1 340 10/11/12/13/15

### 6.4.2. Terminal blocks on a support

Cat. Nos.	Size	Terminal block capacity	Accessories	
			Terminal blocks on a support which can be added	
			Earth	Earth + Neutral
1 341 04/14	1x4M	2	1 348 00	1 348 10
1 341 08/18	1x8M	2	1 348 01	1 348 11
1 351 01/11	1x12M	2	1 348 03	1 348 13
1 351 02/12	2x12M	2	1 348 03	1 348 13
1 351 03/13	3x12M	2	1 348 03	1 348 13
1 351 04/14	4x12M	4	1 348 03	1 348 13
1 371 06/16	1x18M	2	1 348 05	1 348 15
1 371 07/17	2x18M	2	1 348 05	1 348 15
1 371 08/18	3x18M	4	1 348 05	1 348 15
1 371 09/19	4x18M	4	1 348 05	1 348 15