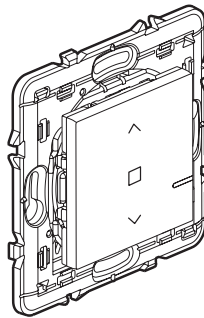


Mosaic™

Cat. No(s): 0 777 46LA

Connected wireless control for roller shutters and orientable sun shades



1. USE

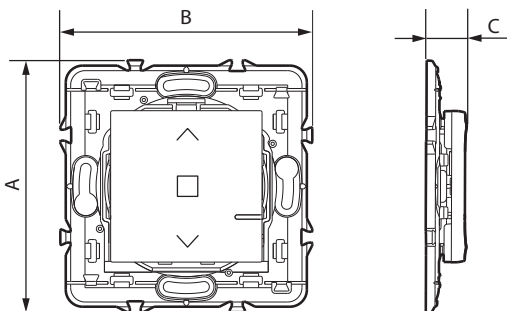
Zone or centralised control for wired roller shutters and orientable sun shades switches.

- Fixes directly on the wall or screws onto a flush-mounting box.
 - Multi-gang versions can be combined with other wiring accessories.
 - Fits on a piece of furniture (movable).
- Can control up to 20 roller shutters switches.

2. RANGE

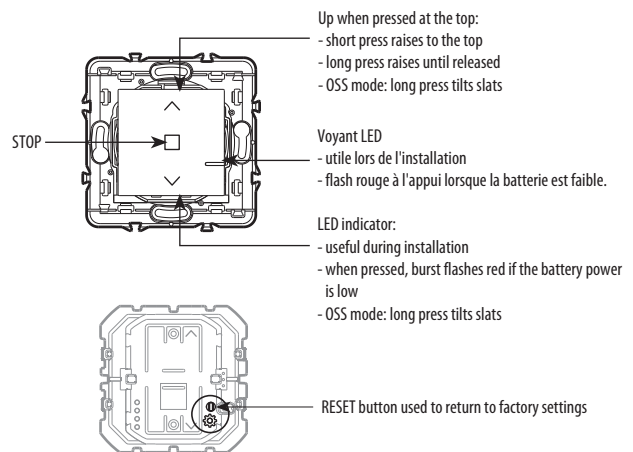
Description	White
Connected wireless control for roller shutters. Supplied with battery. Equipped with an LED indicator (configuration) and a RESET button (hidden) used to return to factory settings. Repositionable self-adhesive fixings supplied.	0 777 46LA

3. DIMENSIONS (mm)



A	B	C
74	74	12

4. OPERATION



5. TECHNICAL CHARACTERISTICS

■ **5.1 Mechanical characteristics**

- Protection against impacts: IK 02
- Protection against solid bodies/liquids:
 - IP 20 without plate and rocker plate
 - IP 40 for assembled product

■ **5.2 Material characteristics**

- Boîtier mécanisme : PC
- Mechanism with grid: Fibreglass-reinforced (10%) PC
- Plate: ABS + PC
- Colour: White RAL 9003
- Halogen-free
- UV-resistant
- Self-extinguishing: 650°C/30 s

■ **5.3 Electrical characteristics**

- Powered by a CR2032 - 3 V lithium battery (supplied)
- Battery life: 8 years for 10 activations a day

■ **ZigBee radio technology**

- Frequency: 2.4 GHz to 2.4835 GHz
- Power level: < 100 mW

■ **5.4 Climate characteristics**

- Usage temperature: +5°C to +45°C
- Storage temperature: 0°C to +45°C

Connected wireless control for roller shutters and orientable sun shades

6. CARE

Clean the surface with a cloth.

Do not use acetone, tar-removing cleaning agents or trichloroethylene.

Resistant to the following products: Hexane (EN 60669-1), methylated spirit, soapy water, diluted ammonia, bleach diluted to 10%, window-cleaning products, pre-impregnated wipes.

Caution: Always test before using special cleaning products.



Take care to recycle the battery appropriately

7. ACCESSORIES

0 648 71: Repositionable adhesive for wireless control (x 4 supplied)

8. STANDARDS AND APPROVALS

The undersigned, LEGRAND, declares that the radio-electric equipment type (0 777 46LA) complies with directive 2014/53/EU.

The full text of the EU declaration of conformity is available on the following website: www.legrandoc.com