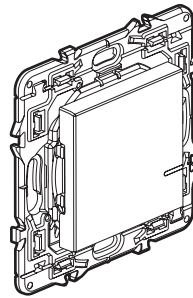


Mosaic™

Cat. No(s): 0 777 23LA

Connected 1-gang ON/OFF wireless control for lighting and sockets



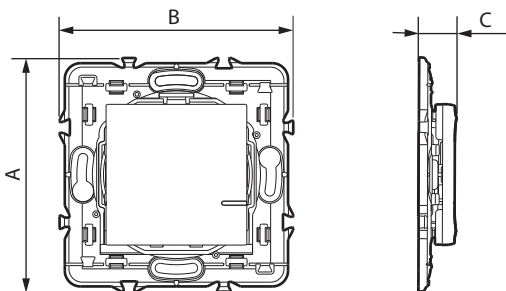
1. USE

Wireless control for one ON/OFF light function or connected socket. Controls micromodule products, connected sockets and connected dimmer switches.
Can be used as a two-way switch or to control a lighting group.
• Fixes directly on the wall or screws onto a flush-mounting box.
Multi-gang versions can be combined with other wiring accessories.
• Fits on a piece of furniture (movable).
Can be combined with 20 connected switches with dimming option or connected sockets.

2. RANGE

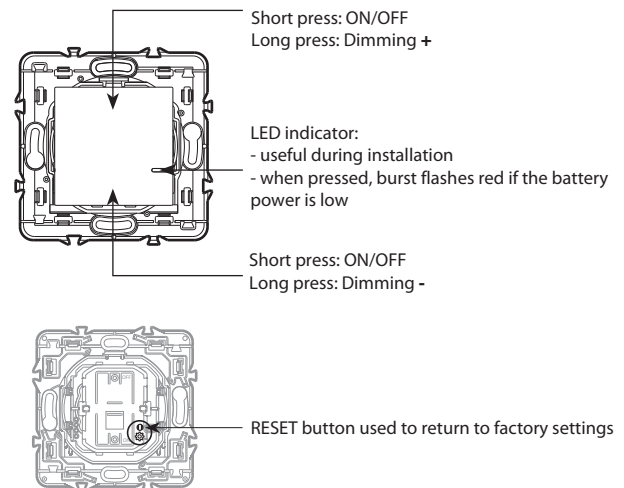
Description	White
Wireless lighting and socket control, for an ON/OFF, dimmer, centralisation function. Supplied with battery. Equipped with an LED indicator (configuration) and a RESET button (hidden) used to return to factory settings. Repositionable self-adhesive fixings supplied. To be equipped with plate.	0 777 23LA

3. DIMENSIONS



A	B	C
74	74	12

4. OPERATION



5. TECHNICAL CHARACTERISTICS

- **5.1 Mechanical characteristics**
Protection against impacts: IK 02
Protection against solid bodies/liquids: IP 20 without plate or rocker plate
IP 40 for assembled product
- **5.2 Material characteristics**
Rocker plate: PC
Colour: White RAL 9003
Mechanism casing with grid: Fibreglass-reinforced (10 %) PC
Halogen-free
UV-resistant
Self-extinguishing: 650°C/30 s
- **5.3 Electrical characteristics**
Powered by a CR2032 - 3 V lithium battery (supplied)
Battery life: 8 years for 10 activations a day
ZigBee radio technology
Frequency: 2.4 GHz to 2.4835 GHz
Power level: < 100 mW
- **5.4 Climate characteristics**
Usage temperature: +5°C to +45°C
Storage temperature: 0°C to +45°C

Connected 1-gang ON/OFF wireless control for lighting and sockets

6. CARE

Clean the surface with a cloth.

Do not use acetone, tar-removing cleaning agents or trichloroethylene.

Resistant to the following products: Hexane (EN 60669-1), methylated spirit, soapy water, diluted ammonia, bleach diluted to 10%, window-cleaning products, pre-impregnated wipes.

Caution: Always test before using special cleaning products.



Take care to recycle the battery appropriately

7. ACCESSORIES

0 648 71: Repositionable adhesive for wireless control (supplied)

8. STANDARDS AND APPROVALS

The undersigned, LEGRAND, declares that the radio-electric equipment type (0 777 23LA) complies with directive 2014/53/EU.

The full text of the EU declaration of conformity is available on the following website: www.legrandoc.com