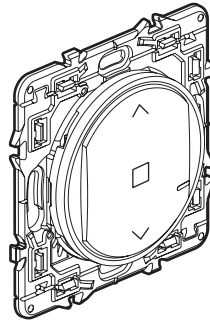


Céliane™

Cat. Nos: 0 676 46A/47A - 0 648 97A

Connected wireless control for roller shutters and orientable sun shades



1. USE

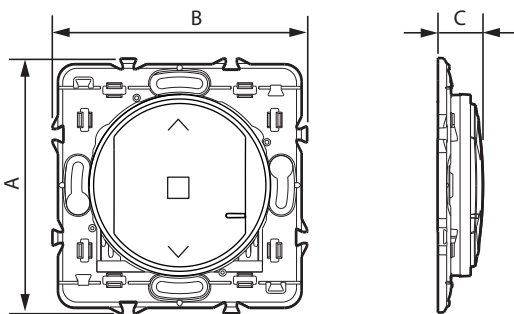
Zone or centralised control for wired roller shutters and orientable sun shades switches.

- Fixes directly on the wall or screws onto a flush-mounting box.
 - Multi-gang versions can be combined with other wiring accessories.
 - Fits on a piece of furniture (movable).
- Can control up to 20 roller shutters switches.

2. RANGE

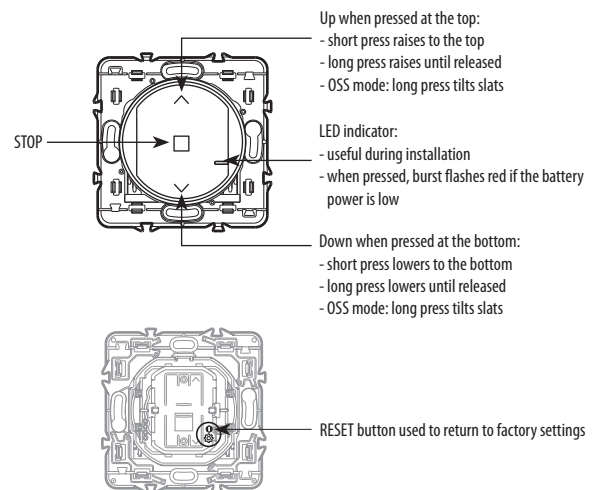
Description	White	Titanium	Graphite
Connected wireless control for roller shutters and orientable sun shades. Supplied with battery. Equipped with an LED indicator (configuration) and a RESET button (hidden) used to return to factory settings. Repositionable self-adhesive fixings supplied. To be equipped with plate.	0 676 46A	0 676 47A	0 648 97A

3. DIMENSIONS (mm)



A	B	D
82	90	13

4. OPERATION



5. TECHNICAL CHARACTERISTICS

■ 5.1 Mechanical characteristics

- Protection against impacts: IK 02
- Protection against solid bodies/liquids:
 - IP 20 without plate and rocker plate
 - IP 40 for assembled product

■ 5.2 Material characteristics

Colour	White	Titanium	Graphite
Rocker plate	ABS	Painted ABS	Painted ABS

Mechanism with grid: Fibreglass-reinforced (10%) PC
 Halogen-free
 UV-resistant

Self-extinguishing: 650°C/30 s

■ 5.3 Electrical characteristics

Powered by a CR2032 - 3 V lithium battery (supplied)
 Battery life: 8 years for 10 activations a day

ZigBee radio technology

Frequency: 2.4 GHz to 2.4835 GHz
 Power level: < 100 mW

■ 5.4 Climate characteristics

Usage temperature: +5°C to +45°C
 Storage temperature: 0°C to +45°C

Connected wireless control for roller shutters and orientable sun shades

6. CARE

Clean the surface with a cloth.

Do not use acetone, tar-removing cleaning agents or trichloroethylene.

Resistant to the following products: Hexane (EN 60669-1), methylated spirit, soapy water, diluted ammonia, bleach diluted to 10%, window-cleaning products, pre-impregnated wipes.

Caution: Always test before using special cleaning products.



Take care to recycle the battery appropriately

7. ACCESSORIES

0 648 71: Repositionable adhesive for wireless control (x 4 supplied)

Replacement rocker plate: 0 648 19: White

0 648 29: Titanium

0 648 39: Graphite

8. STANDARDS AND APPROVALS

The undersigned, LEGRAND, declares that the radio-electric equipment type (0 676 46A/47A - 0 648 97A) complies with directive 2014/53/EU.

The full text of the EU declaration of conformity is available on the following website: www.legrandoc.com