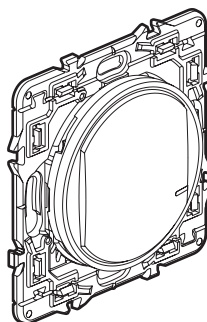


Céliane™

Connected 1-gang ON/OFF wireless control for lighting and sockets

Cat. Nos: 0 677 23A/73A - 0 648 93A



1. USE

Wireless control for one ON/OFF light function or connected socket. Controls micromodule products, connected sockets and connected dimmer switches.

Can be used as a two-way switch or to control a lighting group.

• Fixes directly on the wall or screws onto a flush-mounting box.

Multi-gang versions can be combined with other wiring accessories.

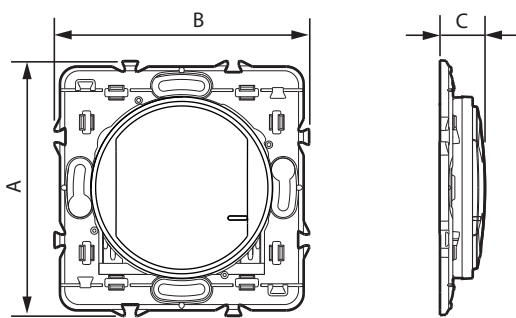
• Fits on a piece of furniture (movable).

Can be combined with 20 connected switches with dimming option or connected sockets.

2. RANGE

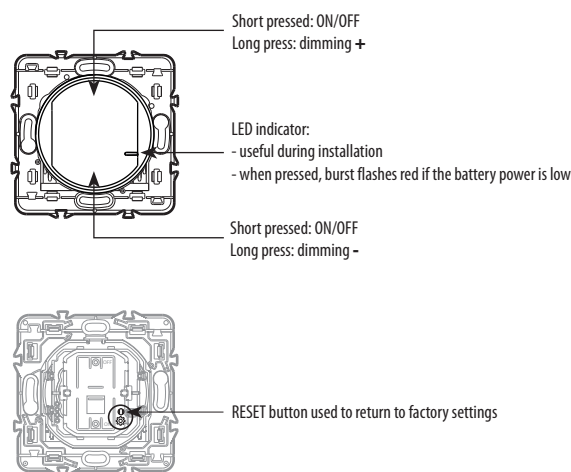
Description	White	Titanium	Graphite
Wireless lighting and socket control, for an ON/OFF, dimmer, centralisation function. Supplied with battery. Equipped with an LED indicator (configuration) and a RESET button (hidden) used to return to factory settings. Repositionable self-adhesive fixings supplied.	0 677 23A	0 677 73A	0 648 93A

3. DIMENSIONS



A	B	C
82	90	13

4. OPERATION



5. TECHNICAL CHARACTERISTICS

■ 5.1 Mechanical characteristics

Protection against impacts: IK 02

Protection against solid bodies/liquids: IP 20 without plate or rocker plate
IP 40 for assembled product

■ 5.2 Material characteristics

Mechanism casing with grid: Fibreglass-reinforced (10%) PC

Colour	White	Titanium	Graphite
Rocker plate	ABS	Painted ABS	Painted ABS

Halogen-free

UV resistant

Self-extinguishing: 650°C/30 s

■ 5.3 Electrical characteristics

Powered by a CR2032 - 3 V lithium battery (supplied)

Battery life: 8 years for 10 activations a day

ZigBee radio technology

Frequency: 2.4 GHz to 2.4835 GHz

Power level: < 100 mW

■ 5.4 Climate characteristics

Usage temperature: +5°C to +45°C

Storage temperature: 0°C to +45°C

Connected 1-gang ON/OFF wireless control for lighting and sockets

6. CARE

Clean the surface with a cloth.

Do not use acetone, tar-removing cleaning agents or trichloroethylene.

Resistant to the following products: Hexane (EN 60669-1), methylated spirit, soapy water, diluted ammonia, bleach diluted to 10%, window-cleaning products, pre-impregnated wipes.

Caution: Always test before using special cleaning products.



Take care to recycle the battery appropriately

7. ACCESSORIES

0 648 71: Repositionable adhesive for wireless control (supplied)

Replacement rocker plate: 0 648 15 White

0 648 25 Titanium

0 648 35 Graphite

8. STANDARDS AND APPROVALS

The undersigned, LEGRAND, declares that the radio-electric equipment type (0 677 23A/73A - 0 648 93A) complies with directive 2014/53/EU.

The full text of the EU declaration of conformity is available on the following website: www.legrandoc.com