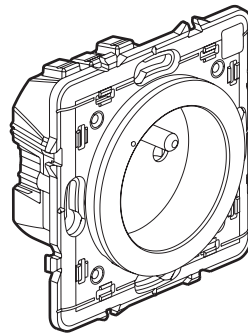


Céliane™

Connected 2P+E socket - French standard

Cat. Nos: 0 677 25A/75A - 0 648 95A



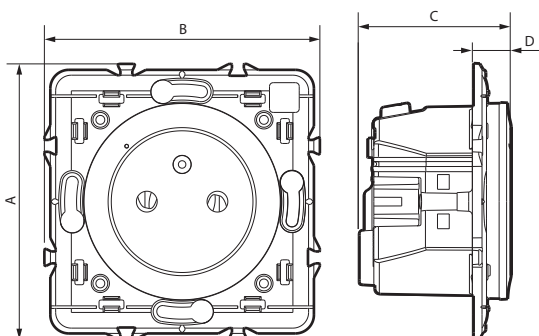
1. USE

Connected socket which can be controlled by a wireless lighting control and/or remotely via a smartphone, tablet or computer.
 Can be used to measure instantaneous and total consumption of the connected device, which can be viewed on the Home + Control app.
 Built-in protection against electrical overloads, for increased safety.
 Installation in box 40 mm deep (minimum), instead of a standard socket outlet.
 Screw and/or claw fixing.
 One-piece mechanism (grid + mechanism).

2. RANGE

| Description | White | Titanium | Graphite |
|--|-----------|-----------|-----------|
| Connected 2P+E socket, with safety shutter. With activity and identification LED indicator and RESET button (hidden) used to return to factory settings. Supplied with site protection covers. To be fitted with a finishing plate. | 0 677 25A | 0 677 75A | 0 648 95A |

3. DIMENSIONS (mm)

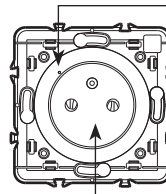


| A | B | C | D |
|----|----|----|----|
| 74 | 74 | 41 | 10 |

4. CONNECTION

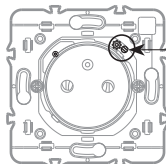
Terminal type: automatic
 Terminal capacity: 2 x 2.5 mm²
 Stripping length: 11 mm

5. OPERATION



LED indicator:
 - useful during installation
 - indicator function can be activated in the Home + Control app

16 A connected socket outlet
 Extra built-in protection in the event of overloads of more than 16 A



RESET button
 used to return to factory settings

6. TECHNICAL CHARACTERISTICS

6.1 Mechanical characteristics

Protection against impacts: IK 04
 Protection against solid bodies and/or liquids: IP 41

6.2 Material characteristics

Mechanism casing: PC
 Grid: 6.6 PC + Galfan steel

| Colour | White RAL 9003 | Titanium | Graphite |
|-------------|----------------|------------|------------|
| Cover plate | PC | Painted PC | Painted PC |

Halogen-free
 UV resistant

Self-extinguishing:
 850°C/30 s for insulating parts holding live parts in place.
 650°C/30 s for the other insulating components.

6. TECHNICAL CHARACTERISTICS *(continued)*

■ 6.3 Electrical characteristics

Voltage: 110/230 V~

Current: 16 A

Power: 3680 W max.

Frequency: 50/60 Hz

Standby consumption: 0.1 mA

Zigbee technology

Frequency: 2.4 GHz to 2.4835 GHz

Power level: < 100 mW

Range: 200 m of unobstructed space between 2 wired products
10 m between products indoors

■ 6.4 Climate characteristics

Storage temperature: 0°C to +45°C

Usage temperature: +5°C to +45°C

7. CARE

Clean the surface with a cloth.

Do not use acetone, tar-removing cleaning agents or trichloroethylene.

Resistant to the following products: Hexane (EN 60669-1), methylated spirit, soapy water, diluted ammonia, bleach diluted to 10%, window-cleaning products, pre-impregnated wipes.

Caution: Always test before using special cleaning products.

8. ACCESSORIES

Replacement cover plate: 0 648 13: White

0 648 23: Titanium

0 648 33: Graphite

9. STANDARDS AND APPROVALS

Compliant with installation and manufacturing standards.

See e-catalogue.

The undersigned, LEGRAND, declares that the radio-electric equipment type (0 677 25A/75A - 0 648 95A) complies with directive 2014/53/EU.

The full text of the EU declaration of conformity is available on the following website: www.legrandoc.com