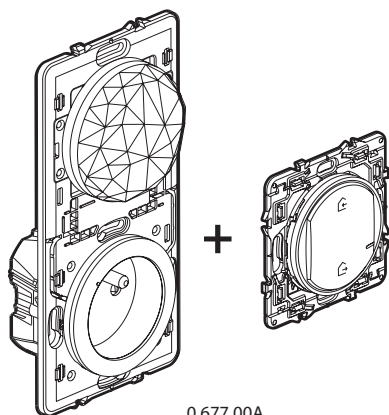
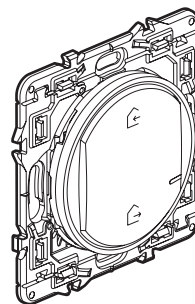


Céliane™ Connected starter pack

Cat. Nos: 0 677 00A/70A - 0 648 90A
 0 648 72A/73A/74A



0 677 00A



0 648 72A

1. USE

This pack enables you to create a connected installation in your home. It can be used to control lighting, roller shutters and electrical equipment plugged into connected sockets:

- using your smartphone and the Home + Control app
- using voice assistants
- from the general control at the entrance to your home

Comprises:

• A Control socket (Zigbee relay/WiFi)

Installation in 1-gang box 40 mm deep (minimum), instead of a standard socket outlet.

Claw and/or screw fixing.

Connected socket which can be controlled by a wireless lighting control and/or remotely via your smartphone.

The socket can be used to measure instantaneous and total consumption of the connected device, which can be viewed on the Home + Control app.

One-piece mechanism (grid + mechanism).

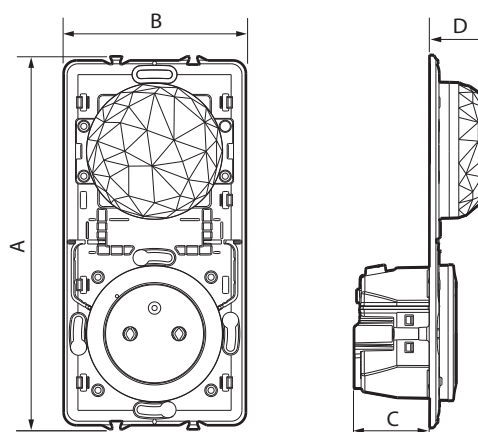
• A wireless general control, used to control leaving home/coming home scenes involving lights, roller shutters and connected sockets.

- Fixes directly on the wall or screws onto a flush-mounting box. Multi-gang versions can be combined with other wiring accessories.
- Fits on a piece of furniture (movable).

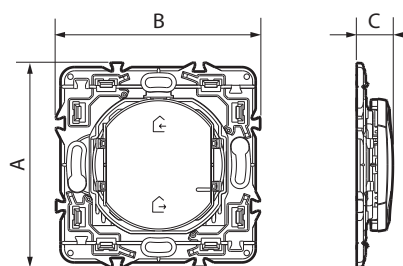
2. RANGE

Description	White	Titanium	Graphite
Connected starter pack includes: 1 connected relay socket + 1 wireless general control (supplied with battery). Supplied with site protection cover. Equipped with a RESET button (hidden) used to return to factory settings. To be equipped with plate.	0 677 00A	0 677 70A	0 648 90A
Additional wireless general control. Supplied with battery. Equipped with an LED indicator (configuration) and a RESET button (hidden) used to return to factory settings. Repositionable self-adhesive fixings supplied. To be equipped with plate.	0 648 72A	0 648 73A	0 648 74A

3. DIMENSIONS (mm)

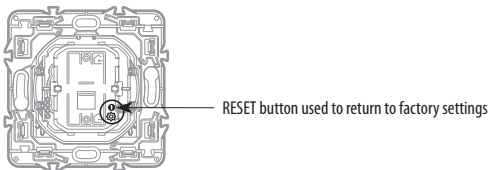
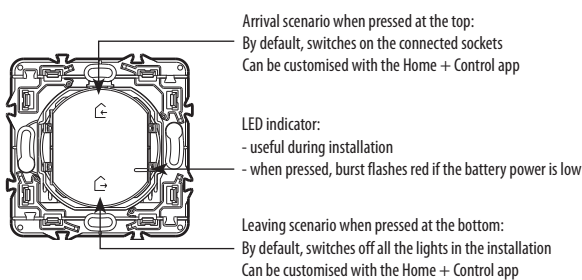
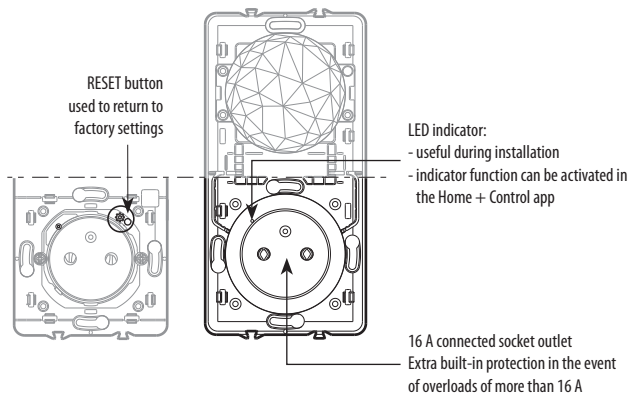


Control socket	A	B	C	D
	145	71	31	23



Wireless general control	A	B	C
	74	74	13

4. OPERATION



! The starter pack is pre-paired at the factory.
Never perform a factory RESET on the control socket and the wireless general control at the same time, as this may render them unusable.

5. CONNECTION

Control socket

Terminal type: automatic
Terminal capacity: 2 x 2.5 mm²
Stripping length: 11 mm

6. TECHNICAL CHARACTERISTICS

6.1 Mechanical characteristics

Control socket:

Protection against impacts: IK 04
Protection against solid bodies and/or liquids: IP 40 assembled product

General control:

Protection against impacts: IK 02
Protection against solid bodies and/or liquids:
IP 20 without rocker plate and plate
IP 40 for assembled product

6.2 Material characteristics of control socket

Colour	White RAL 9003	Titanium	Graphite
Cover plate	PC	Painted PC	Painted PC

Mechanism casing: PC

Support: Fibreglass-reinforced (20%) PC

Halogen-free

UV-resistant

Self-extinguishing:

850°C/30 s for insulating components holding live parts in place.

650°C/30 s for other insulating components.

Colour	White RAL 9003	Titanium	Graphite
Rocker plate	ABS	Painted ABS	Painted ABS

6.3 Material characteristics of general control

Mechanism casing with grid: Fibreglass-reinforced (10%) PC

Halogen-free

UV-resistant

Self-extinguishing: 650°C/30 s

6.4 Electrical characteristics of control socket

Voltage: 110-230 V~

Current: 16 A

Power: 3680 W max.

Frequency: 50/60 Hz

Standby consumption: 0.1 mA

WiFi technology 2.4 GHz (13 channels) - IEEE 802.11 b/g/n

ZigBee radio technology frequency: 2.4 GHz to 2.4835 GHz

Power level: < 100 mW

Range: 200 m of unobstructed space

10 m recommended between products indoors

6.5 Electrical characteristics of general control

Powered by a CR2032 - 3 V lithium battery (supplied)

Battery life: 8 years for 10 activations a day

ZigBee radio technology frequency: 2.4 GHz to 2.4835 GHz

Power level: < 100 mW

6.6 Climate characteristics

Storage temperature: 0°C to + 45°C

Usage temperature: +5°C to + 45°C

7. CARE

Clean the surface with a cloth.
Do not use acetone, tar-removing cleaning agents or trichloroethylene.

Resistant to the following products: Hexane (EN 60669-1), methylated spirit, soapy water, diluted ammonia, bleach diluted to 10%, window-cleaning products, pre-impregnated wipes.

Caution: Always test before using special cleaning products.



Take care to recycle the battery appropriately.

8. ACCESSORIES

0 648 71: Repositionable adhesive for wireless control (x 4 supplied)
0 648 12: White rocker plate
0 648 22: Titanium rocker plate
0 648 32: Graphite rocker plate
0 648 13: White cover plate
0 648 23: Titanium cover plate
0 648 33: Graphite cover plate

9. STANDARDS AND APPROVALS

The undersigned, LEGRAND, declares that the radio-electric equipment type (0 677 00A/70A - 0 648 90A - 0 648 72A/73A/74A) complies with directive 2014/53/EU.

Le texte complet de la déclaration UE de conformité est disponible à l'adresse suivante : www.legrandoc.com