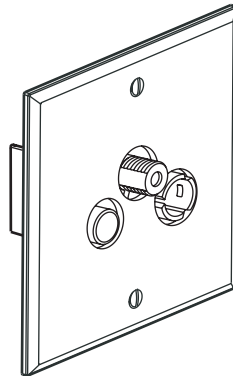


Mémoire Metal style TV/R/SAT sockets

Cat. Nos: AR-67177 - AR-67277



1. USE

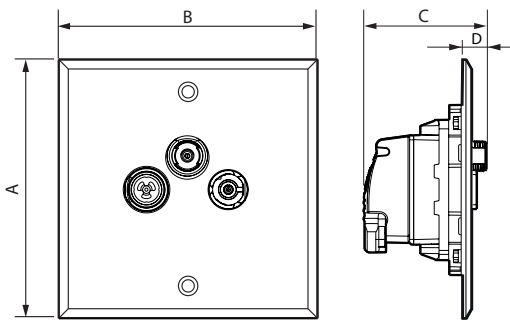
Television sockets with multiple TV/R/SAT outputs.
 For receiving TV, Radio and Satellite signals.
 Compatible with DTT and UHD (Ultra High Definition).
 Supplied with finishing plates and protection cover.

2. RANGE

AR-67177	● Brushed steel	TV/R/SAT sockets
AR-67277	● Brushed gold	

Note: Other finishes and configurations are provided, see technical data sheet F02217EN/01.

3. DIMENSIONS (mm)



A	B	C	D
80	80	40	9

4. ASSEMBLY

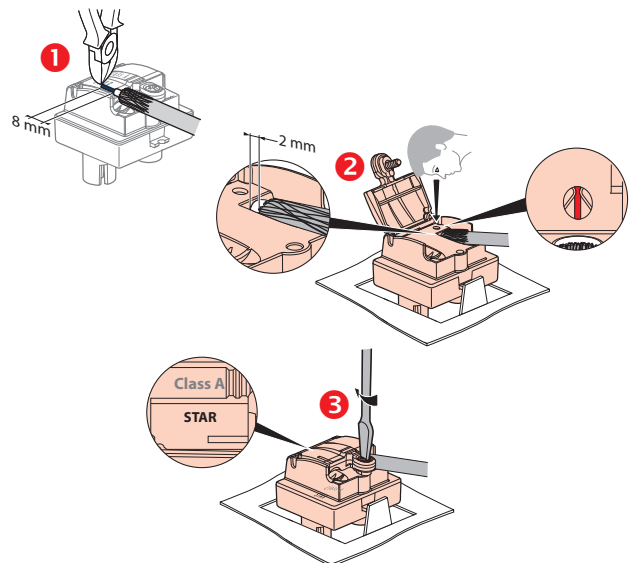
- Do not use an electric screwdriver to tighten the screws when assembling wiring accessories.
- Take care not to overtighten the visible screws when assembling Mémoire style wiring accessories:
 - Risk of damaging the screw heads.
 - Risk of the screwdriver slipping and permanently scratching the plate.
 - Risk of the plate warping (bending), resulting in the plate not lying flat against the wall.

4. ASSEMBLY (continued)

- Use a flat screwdriver (4 mm wide, 0.8 mm thick) for the screws supplied on the wiring accessory.
 - ART d'Arnould electrical wiring accessories are supplied with long fixing screws which can be cut at several points to adapt the screw length to the box flush-mounting depth in the wall.
- If ART d'Arnould wiring accessories are being mounted in thick surfaces such as tiles, marble, wainscot panelling with flush-mounting boxes chased deep into the wall, the whole screw length can be used to fix the wiring accessory.
- If ART d'Arnould wiring accessories are being installed in walls with non-projecting flush-mounting boxes (masonry walls, dry partitions), the screws which can be cut at several points to shorten the thread.
- To protect the products, it is essential to install them: once all surface coatings are completely dry, in a dry, non-aggressive environment, indoors only.
- It is recommended that you install the plates only after the wall coatings have been completely finished (paint, fabrics, etc.).

5. CONNECTION

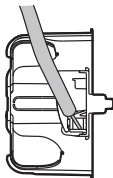
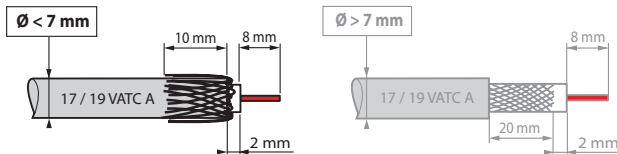
5.1 Connection



5. CONNECTION (continued)

5.2 Wiring instruction

Single cable entry
17/19 VATC coaxial cable recommended



The rear connection minimises deformation of the coaxial cable, preventing loss of impedance and deterioration in performance.

6. TECHNICAL CHARACTERISTICS

6.1 Mechanical characteristics

Impact test: IK 02
Penetration of solid bodies and liquids: IP 20

6.2 Material characteristics

- Plates:
 - Brushed steel: brushed + galvanised with steel colour + varnish
 - Brushed gold: brushed + galvanised with 24-carat gold
- Chrome screws
- Motor:
 - Box: Zamak
 - Cover: Zamak
 - Pin: bronze
 - Screws: zinc-plated steel

Self-extinguishing: 650°C/30 s

6.3 Electrical characteristics

- Male connector \varnothing 9.52 mm (TV)
- Female connector (Radio)
- Female screw-type connector (SAT)
- Characteristic impedance: 75 Ohm
- Shielding efficiency: Class A (class A shielding is necessary to prevent interference caused by using new 3 and 4 G telephone signals, as these unwanted signals can generate on-screen pixellation or adversely affect the soundtrack).
- Frequency band:
 - TV: 5-68/120-862 MHz
 - R: 87.5-108 MHz
 - SAT: 950-2400 MHz
- Low attenuation: < 1.5 dB
- Insulation resistance: standard IEC 61169-24

6.4 Climate characteristics

Storage temperature: - 10°C to + 70°C
Operating temperature: - 5°C to + 35°C

7. CARE

Clean and dust using a soft, damp cloth (dampened with water) or wipes impregnated with a product containing less than 5% alcohol and anionic surfactant.

Caution: Always test before using other special cleaning products.

Banned products:

- Solvents, various essential oils, paint, or adhesive tape,
- Scouring powders (because are abrasive),
- Products containing bleach,
- Special products for stainless steel,

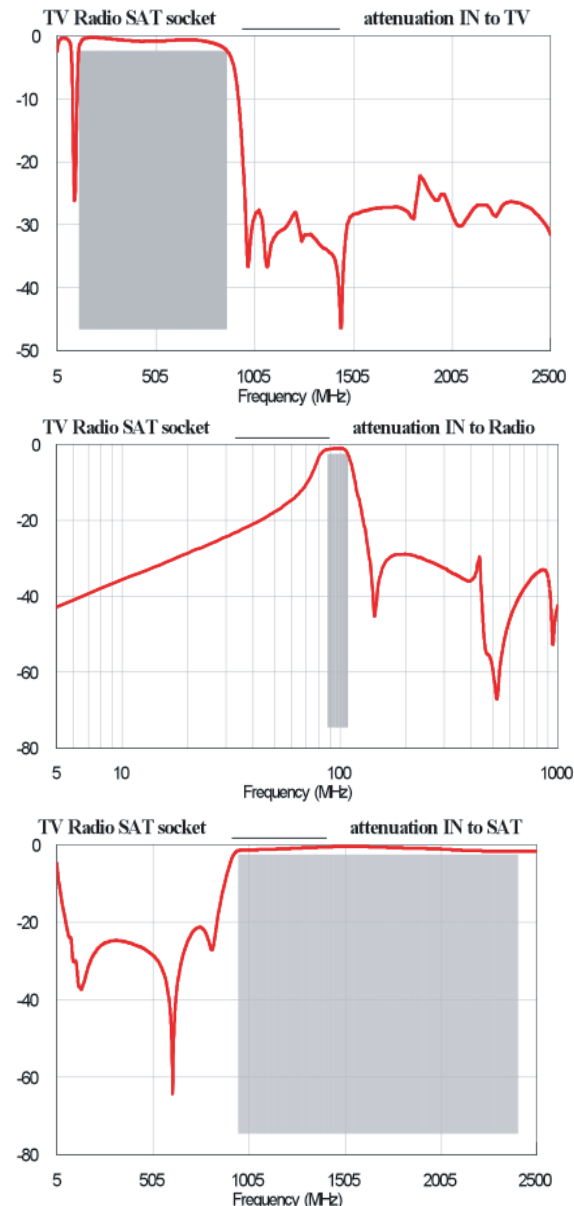
7. CARE (continued)

- Renovators (because they often contain abrasives and chemical agents),
- Splashes or fumes from floor, paint, or wood stripping products, etc.
- les produits spéciaux pour inox,

Caution:

Any mechanical attack or foreign object (screwdriver, etc.) striking the surface of the plate would damage the finish and therefore also the surface treatment.

8. PERFORMANCE



9. STANDARDS AND APPROVALS

Compliant with installation and manufacturing standards.
See e.catalogue.