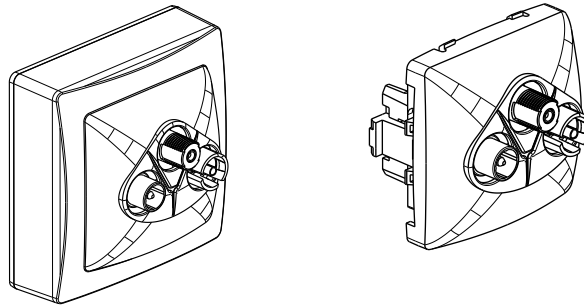


## Surface mounting TV/R/SAT sockets

Cat. Nos: 0 860 42 - 0 861 42



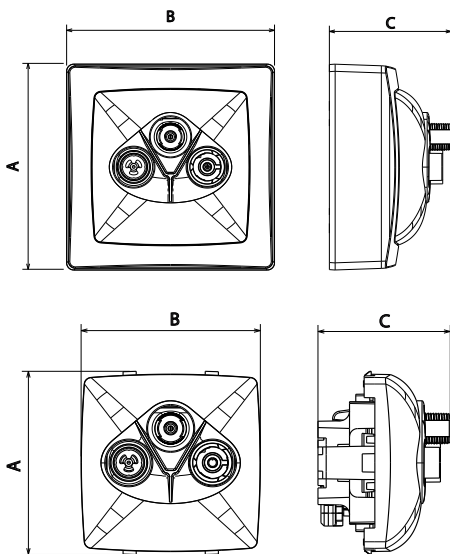
### 1. USE

TV/R/SAT: For receiving TV, radio and satellite signals  
 UHD (ultra high definition) compatible  
 Class A shielding - Star wiring  
 Low attenuation < 1.5 dB  
 Recommended cable 17/19 VATC  
 Single cable entry

### 2. RANGE

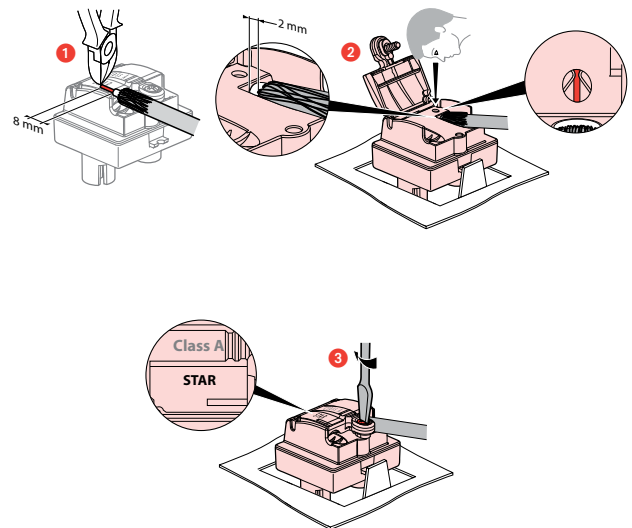
Description	Complete	Modular
TV/R/SAT socket	0 860 42	0 861 42

### 3. DIMENSIONS (mm)

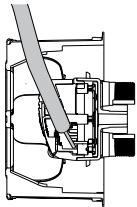
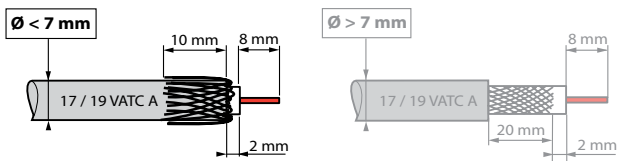


Cat. No.	A	B	C
0 860 42	72	72	42.30
0 861 42	56.30	54.50	40.30

### 4. CONNECTION



**5. WIRING PRECAUTIONS**



Connection from the rear of the socket reduces deformation of the coaxial cable, thus avoiding the risk of impedance loss and impaired performance.

**6. TECHNICAL CHARACTERISTICS**

**6.1 Mechanical characteristics**

Protection against solid bodies and liquids: IP 21  
 Protection against impact: IK 04  
 Cable strength 120 N: IEC 61169-24

**6.2 Material characteristics**

- Material:**
- Cover plate: ABS
  - Zero halogen
  - UV resistant
- Motor:**
- Casing: Zamac
  - Cover: Zamac
  - Pin: Bronze
  - Screws: Zinc-plated steel

**6.3 Electrical characteristics**

- Male connector  $\varnothing$  9.52 mm (TV)
- Female connector (radio)
- Female F screw-type connector (SAT)
- Characteristic impedance: 75 ohms

Class A shielding efficiency (class A shielding is necessary to prevent interference from 3G and 4G phone signals, as these undesirable signals can cause pixellation of on-screen images or distort soundtracks)

- Frequency bands:
- TV: 5-68/120-862 MHz
  - R: 87.5-108 MHz
  - SAT: 950-2400 MHz

- Insulation resistance: IEC 61169-24

**6.4 Climate characteristics**

Storage and operating temperature: -5 °C to +35 °C

**7. CLEANING**

Clean the surface with a cloth.  
 Do not use acetone, tar-removing cleaning agents or trichloroethylene.

Resistant to the following products: hexane (EN 60669-1), methylated spirit, soapy water, diluted ammonia, bleach diluted to 10%, window-cleaning products, pre-impregnated wipes.

**Caution:** Always test before using special cleaning products.

**8. STANDARDS AND APPROVALS**

- EN 50083-2
- Class A certificate



9. PERFORMANCE

