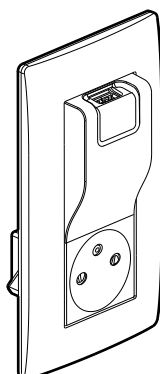


Niloé™
2 P+E / single USB mixed socket outlet

Cat. No(s): 6 647 42



1. USE

2 P+E socket + USB power supplies, Franco-Belgian standard.
 USB power supplies: for recharging portable devices such as phones, smartphones, tablets, MP3, MP4, loudspeakers, games consoles, power-banks.
 Mechanisms supplied with support frames and cover plates, with claws.

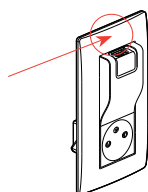
2. RANGE

Description	White
Mixed socket composed of: - 2 P+E socket shuttered - surface - 16 A - 250 V~ - single USB socket - 5 V - 1000 mA	6 647 42

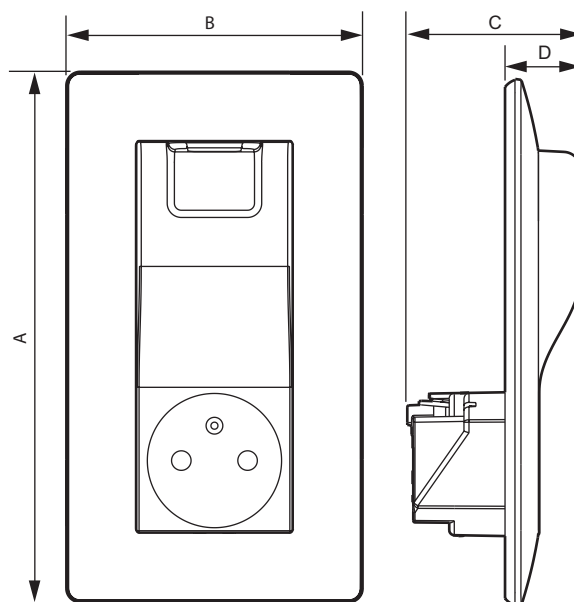
3. MOUNTING

To be installed in 1-gang flushing box.

Addition of a screw required to secure fixing of the mechanism.



4. DIMENSIONS (mm)



Cat. No	A	B	C	D
6 647 42	157	86	53	22

5. CONNECTION

- **5.1 2 P+E:**
 Terminal type: automatic
 Terminal capacity: 2 x 2.5 mm²
 Stripping length: 12 mm
 Flexible or rigid cables compatible
- **5.2 USB:**
 Prewired socket

6. TECHNICAL CHARACTERISTICS

■ 6.1 Mechanical characteristics

Protection against impact: IK 04

Protection against solid bodies and liquids: IP 40

■ 6.2 Material characteristics

Polyglass appearance

Colour: White RAL 9003

Material: - Plate ABS

- Cover plate: PC

- Halogen free

- UV resistant

Material of the support: - PC grey RAL 7037

- Halogen free

Self-extinguishing:

+ 850° C / 30 s for insulating parts holding live parts in place

+ 650° C / 30 s for other parts made of insulating materials.

■ 6.3 Electrical characteristics 2 P+E sockets

Voltage: 250 V~

Current: 16 A

Frequency: 50/60 Hz

■ 6.4 Electrical characteristics USB power supplies

All values listed below are measured at an ambient temperature of + 25° and after 15 minutes of operation.

Nominal input voltage	220 - 240 V~
Nominal input frequency	50-60 Hz
Nominal input current	150 mA
Stand-by power consumption at U_m	0.1 W
Nominal output voltage	5 V $\overline{=}$
Nominal output current	1000 mA
Efficiency can meet energy star level "V" (≥ 66% measured at USB socket output side)	
Safety-standard	EN60950-1
Protection class	II - Low voltage

Note: Suitable for replacing a socket with cable 3 or 6 wires. Can be used freely in the outlet circuit.

■ 6.5 Climatic characteristics

Storage temperature: - 20° C to + 70° C

Operating temperature: 0° C to + 45° C

6. CLEANING

Surface cleaning with a cloth.

Do not use: acetone, tar remover, trichlorethylene.

Caution: A preliminary test should be carried out if other specific cleaning products are to be used.

7. STANDARDS AND APPROVALS

IEC 60950-1: low voltage directive.

IEC 62684 / EN 50558 conform to the interoperability specifications of common external power supply (EPS) for use with mobile telephones.

Conform to eco design directive 2009/125/EC.