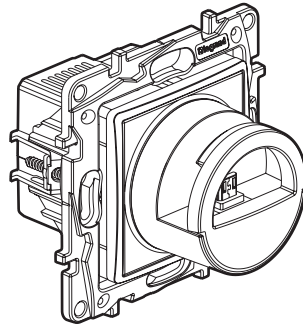


Niloé™
Dock micro USB - 2400 mA

Cat. No(s): 6 647 96



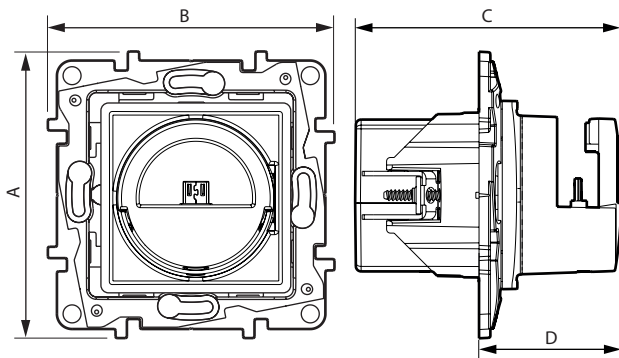
1. USE

Allows the wireless charging of a product equipped with a USB port.
 Equipped with two USB output to simultaneously charge a second device (mobile phone, smartphone, tablet, MP3, MP4, speaker, watch, game console, Powerbank).

2. RANGE

Description	White
Micro USB charging dock - 5 V - 2400 mA With lateral USB port for an additional device To be equipped with plate	6 647 96

3. DIMENSIONS (mm)



A	B	C	D
76	76	71	38

4. CONNECTION

Type of terminals: with screws
 Terminal capacity: 2 x 2.5 mm²
 Stripping length: 6 mm
 Screwdriver: flat 3.5 mm

Recommended use: circuit terminal outlet

5. TECHNICAL CHARACTERISTICS

■ **5.1 Mechanical characteristics**

Protection against impact: IK 04
 Protection against solid bodies and liquids: IP 40

■ **5.2 Material characteristics**

Polyglass appearance
 Colour: - White RAL 9003
 Material: - Cover: PC
 - Cover plate: ABS
 - Halogen free
 - UV resistant

Material of the support: - PC grey RAL 7037 + 10% glass fiber
 - Halogen free

Self-extinguishing:

- + 850° C / 30 s for insulating parts holding live parts in place.
- + 650° C / 30 s for other parts made of insulating materials.

■ **5.3 Climatic characteristics**

Storage temperature: - 20° C to + 70° C
 Operating temperature: 0° C to + 45° C

■ **5.4 Electrical characteristics**

All values listed below are measured at an ambient temperature of + 25° and after 15 minutes of operation.

Nominal input voltage	220 - 240 V~
Nominal input frequency	50-60 Hz
Maximum input current	300 mA
Maximum power consumption in standby	0.1 W
Power average efficiency	81 %
Nominal output voltage	5 V=
Maximum output current	2400 mA
No-load power consumption class and average efficiency level: level VI*	
Safety-standard	EN60950-1
Protection class	II - Low voltage

*NB: European Regulation No. 278/2009 of 6 April 2009, Directive 2005/32/EC on eco-design requirements for AC/DC power supplies.

■ **5.5 Average charging time for devices equipped with lithium ion polymer batteries:**

- 80 % charged < 1 h 15
- 100 % charged < 2 h 00

5. TECHNICAL CHARACTERISTICS *(continued)*

■ 5.6 Charge time for a smartphone with 2400 mA charger plug:

Manufacturer brand	Smartphone model	Charge time to 100 %
Samsung	Galaxy S6	1 h 43
Nokia	Lumia 735	2 h 11
Nokia	Lumia 930	2 h 11
Google	Nexus 6	3 h 02
Google	Nexus 7	2 h 58

*Data valid as at 1 March 2016.

Note: To optimize the charging time of your device, ensure turn it off during the charging phase.

6. CLEANING

Surface cleaning with a cloth.

Do not use: acetone, tar remover, trichlorethylene.

Caution: A preliminary test should be carried out if specific cleaning products are to be used.

7. STANDARDS AND APPROVALS

IEC 60950-1: low voltage directive.

IEC 62684 / EN 50558 conform to the interoperability specifications of common external power supply (EPS) for use with mobile telephones.

Conform to eco design directive 2009/125/EC.