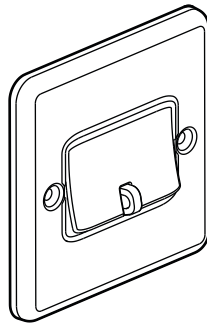


## Synergy™ Triple pole switches 10 A - Authentic

Cat. No(s): 8 330 09 - 8 332 09 - 8 334 09



### 1. USE

Lighting control switches, complete delivered, with compact mechanisms for maximum wiring space and slim front plates.  
 For flush-mounting, back box to be min. 35 mm deep.  
 Fixing with screws.

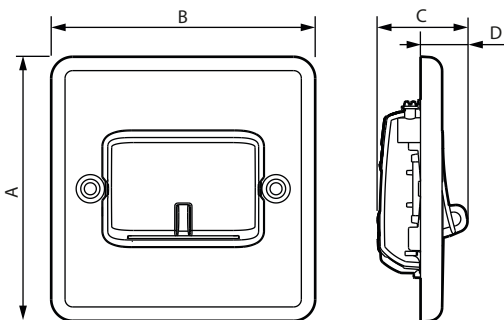
### 2. RANGE

#### 3-pole fan switches 10 A - 250 V~

With integrated padlockable safety block in OFF position

8 330 09	● Brushed stainless steel
8 332 09	● Polished stainless steel
8 334 09	● Glossy gold

### 3. OVERALL DIMENSIONS (mm)



Cat. Nos	A	B	C	D
8 330 09 - 8 332 09 - 8 334 09	86	86	29	15.5

### 4. CONNECTION

Type of terminals : with screws  
 Terminal capacity: 2 x 2.5 mm<sup>2</sup>  
 Stripping length: 11 mm  
 Compatible with flexible or rigid cables.

### 5. TECHNICAL CHARACTERISTICS

#### ■ 5.1 Mechanical characteristics

Impact tests: IK 01  
 Penetration by solid bodies/liquids: IP 20

#### ■ 5.2 Material characteristics

Rocker and plate:  
 - BSS: austenitic Brushed Stainless Steel - non magnetic - grade 304 L  
 - PSS: Polished Stainless Steel + rust resistance  
 - GG: Stainless Steel + rust resistance  
 Mechanism housing: PC  
 Halogen free  
 UV resistant

#### Self-extinguishing:

+ 850° C / 30 s for insulating parts holding live parts in place.  
 + 650° C / 30 s for other parts made of insulating materials.

#### ■ 5.3 Electrical characteristics

Voltage: 250 V~  
 Current: 10 A  
 Frequency: 50/60 Hz

#### ■ 5.4 Climatic characteristics

Storage temperature: - 10° C to + 70° C  
 Use temperature: - 5° C to + 35° C

### 6. CLEANING

Clean the surface with a cloth.  
 Do not use acetone, tar-removing cleaning agents or trichloroethylene.  
 Resistance to the following cleaning substances:  
 Hexane (EN 60669-1), Methylated spirit, Soapy water, Diluted ammonia, Diluted pure bleach 10%, Glass cleaning product.

**Caution:** An initial test is required for the use of other special maintenance products.

### 7. STANDARDS AND APPROVALS

Compliance with standards of installation and manufacturing.  
 See e.catalogue.