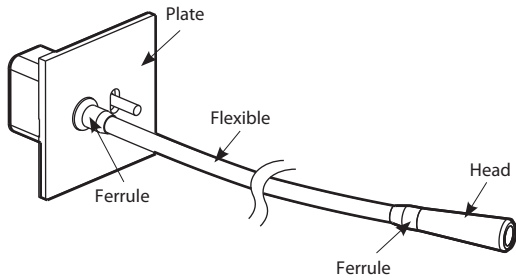
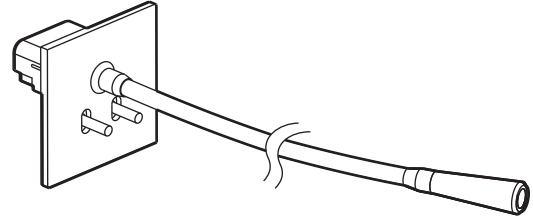


**Epure style  
 LED lighting - Reading lights**

Cat. No(s): AR-67341/42 - AR-67441/42 - AR-67841/4AR-67941/42



AR-67341 - AR-67441 - AR-67841 - AR-67941



AR-67342 - AR-67442 - AR-67842 - AR-67942

**1. USE**

LED reading lights for installation in bedhead units (supplied complete).  
 Provide directional lighting.  
 For flush mounting in a standard Batibox box (depth 50 mm).

**2. RANGE**

**Control unit for lighting circuit (1 x 2-way switch)**

| Cat. No  | Plate           | Ferrules        | Flexible     | Head            |
|----------|-----------------|-----------------|--------------|-----------------|
| AR-67441 | ● Brushed steel | Black           | Black fabric | Brushed steel   |
| AR-67341 | ● Bronze        | Lacquered brass | Black fabric | Lacquered brass |
| AR-67841 | ● Matt black    | Matt black      | Black fabric | Matt black      |
| AR-67941 | ○ Satin white   | Satin white     | Grey fabric  | Satin white     |

**Control unit for 2 lighting circuits (2 x 2-way switches)**

| Cat. No  | Plate           | Ferrules        | Flexible     | Head            |
|----------|-----------------|-----------------|--------------|-----------------|
| AR-67442 | ● Brushed steel | Brushed steel   | Black fabric | Brushed steel   |
| AR-67342 | ● Bronze        | Lacquered brass | Black fabric | Lacquered brass |
| AR-67842 | ● Matt black    | Matt black      | Black fabric | Matt black      |
| AR-67942 | ○ Satin white   | Satin white     | Grey fabric  | Satin white     |

**Note:** Other finishes and configurations are provided, see technical data sheet F02217EN/01.

**3. INSTALLATION**

ART d'Arnould electrical wiring accessories are supplied with long fixing screws which can be cut at several points to adapt the screw length to the box flush-mounting depth in the wall.

If ART d'Arnould wiring accessories are being mounted in thick surfaces such as tiles, marble, wainscot panelling with flush-mounting boxes chased deep into the wall, the whole screw length can be used to fix the wiring accessory.

If ART d'Arnould wiring accessories are being installed in walls with non-projecting flush-mounting boxes (masonry walls, dry partitions), the screws which can be cut at several points to shorten the thread.

To protect the products, it is essential to install them: once all surface coatings are completely dry, in a dry, non-aggressive environment, indoors only.

It is recommended that you install the plates only after the wall coatings have been completely finished (paint, fabrics, etc.).

**3. INSTALLATION (continued)**

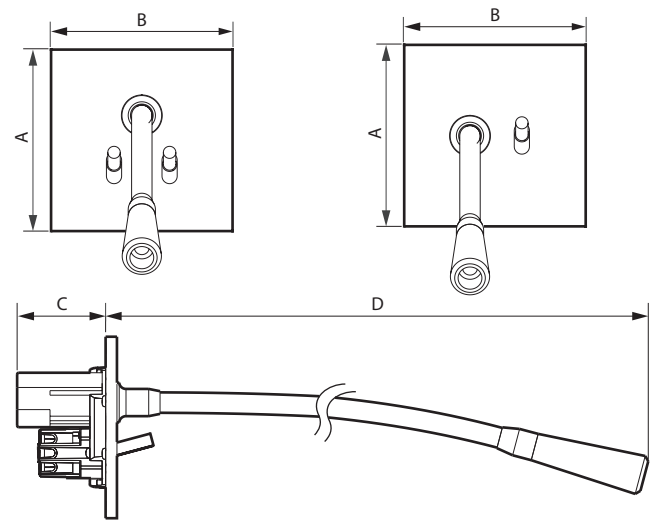
**Dismantling:**

The plates can be dismantled by inserting the tip of a screwdriver in a purpose-designed notch on the sides of the plate and using it as a lever to unclip it from the fixing points.

Once the plate has been lifted off the wall slightly, just slide your fingers between the plate and the wall to gently remove the plate.

Take care not to pull too hard on the plate, to avoid breaking the fixing clips.

**4. DIMENSIONS (mm)**



| A  | B  | C  | D   |
|----|----|----|-----|
| 80 | 80 | 39 | 354 |

**5. CONNECTION**

Type of terminals: with screws  
 Terminal capacity: 2 x 1.5 mm<sup>2</sup>  
 Stripping length: 8 mm  
 Compatible flexible or rigid cable  
 Screwdriver: flat 3 mm

**6. TECHNICAL CHARACTERISTICS**

■ **6.1 Mechanical characteristics**

Impact test: IK 02  
Ingress of solids/liquids: IP 20

■ **6.2 Material characteristics**

Mechanism housing: PC

Plates, ferrules, heads:

- Brushed steel: brushing + steel colour galvanising + varnish
- Bronze: oxidation of the brass + patina and brushing + varnish
- Matt black: bronze + matt paint
- Satin white: bronze + silk-feel paint

Flexible arm: Fabric-covered steel

Self-extinguishing:

850°C/30 s for insulating components holding live parts in place  
650°C/30 s for other insulating components

■ **6.3 Electrical characteristics**

Protection class: II  
Voltage: 110-250 V~  
Frequency: 50/60 Hz  
Power: 1 W max.

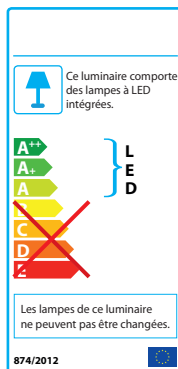
| Colour     | Colour temperature | Luminous flux |
|------------|--------------------|---------------|
| Warm white | 3000 K             | 110 lm        |

Product tested for 40,000 on/off cycles.

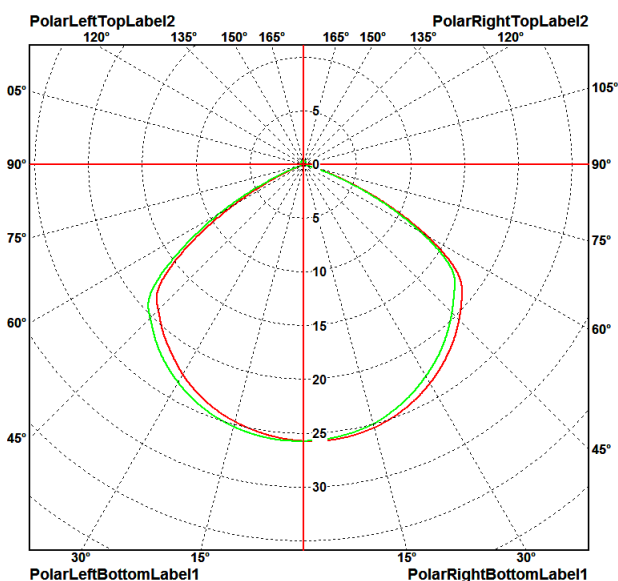
LED lifetime: 40,000 hours

The light source for this luminaire cannot be replaced. When the light source reaches its end of life, the whole luminaire needs to be replaced.

**Energy rating:**



■ **6.4 Polar diagram**



**6. TECHNICAL CHARACTERISTICS** (continued)

■ **6.5 Climate characteristics**

Storage temperature: - 10°C to + 70°C  
Usage temperature: - 5°C to + 35°C

**7. CARE**

Clean and dust using a soft, damp cloth (dampened with water) or wipes impregnated with a product containing less than 5% alcohol and anionic surfactant.

**Caution:** Always test before using other special cleaning products.

**Banned products**

- Solvents, various essential oils, paint, or adhesive tape,
- Scouring powders (because are abrasive),
- Products containing bleach,
- Special products for stainless steel,
- Renovators (because they often contain abrasives and chemical agents),
- Splashes or fumes from floor, paint, or wood stripping products, etc.

**Caution:**

Any mechanical attack or foreign object (screwdriver, etc.) striking the surface of the plate would damage the finish and therefore also the surface treatment.

**8. STANDARDS AND APPROVALS**

CE

Compliant with installation and manufacturing standards.  
See e.catalogue.