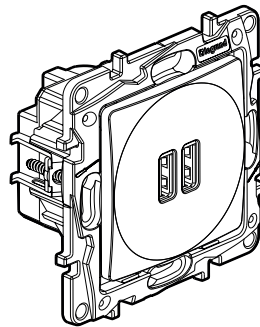


Double USB socket - Type-A - 3.0 A



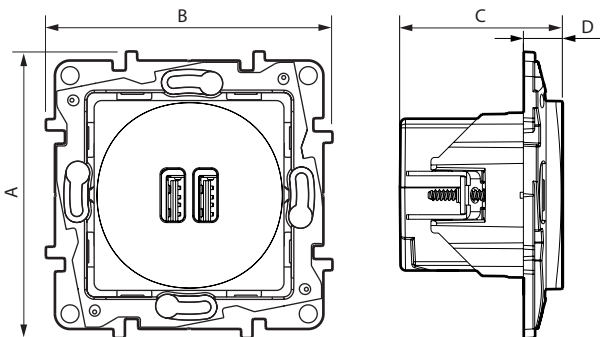
1. USE

For recharging portable devices such as phones, smartphones, tablets, MP3 or MP4 players, loudspeakers, watches, game consoles, powerbanks.

2. RANGE

Description	White
Double USB socket - 5 V $\overline{\text{~}}$ - 3.0 A Supplied with support frame and cover plate To be equipped with plate	6 647 94

3. DIMENSIONS (mm)



A	B	C	D
76	76	42	9.5

4. CONNECTION

Type of terminals: with screws
 Terminal capacity: 2 x 2.5 mm²
 Stripping length: 6 mm
 Screwdriver: flat 3.5 mm
 Circuit breaker: 16 A MAXI

Necessary safety precautions:



Switch OFF the power at the main circuit breaker. Make sure that the power is OFF before continuing with the installation.

5. TECHNICAL CHARACTERISTICS

■ 5.1 Mechanical characteristics

Impact tests: IK 04
 Penetration by solid bodies/liquid: IP 40

■ 5.2 Material characteristics

Polyglass appearance

Colour : - White RAL 9003

Material: - Cover: PC V-0 class

- Cover plate: ABS

- Halogen-free

- UV-resistant

Material of the support : - PC grey RAL 7037 + 10% glass fiber
 - Halogen-free

Self-extinguishing:

850°C/30 s for insulating components holding live parts in place.

650°C/30 s for other insulating components.

■ 5.3 Electrical characteristics

All values listed below are measured at an ambient temperature of + 20° and after 30 minutes of operation.

Nominal input voltage	100-240 V \sim
Nominal input frequency	50/60 Hz
Nominal input current	0.5 A
Maximum output current	3.0 A
Nominal output voltage	5.0 V $\overline{\text{~}}$
Power consumption	15.0 W
Average efficiency in active mode	84.43 %
Stand-by power consumption	< 0.07 W
Consumption class without load and average level of efficiency: Level VI*	
Protection class	II - Low voltage

*NB: European Regulation No. 278/2009 of 6 April 2009, Directive 2009/125/CE on eco-design requirements for AC/DC power supplies.

Note: To optimize the charging time of your device, ensure turn it off during the charging phase.

■ 5.4 Climate characteristics

Storage temperature: - 20°C to + 70°C

Operating temperature: 0°C to + 40°C

Double USB socket - Type-A - 3.0 A

6. CLEANING

Surface cleaning with a cloth.

Do not use: acetone, tar remover, trichlorethylene.

Caution: Always test before using other special cleaning products.

7. STANDARDS AND APPROVALS

Compliant with installation and manufacturing standards.

See e-catalogue.