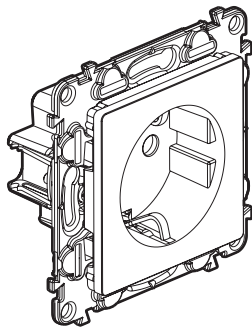


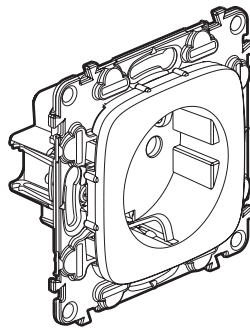
Valena™ Socket outlets - German standard

Cat. No.(s): 7 530 29/30/31

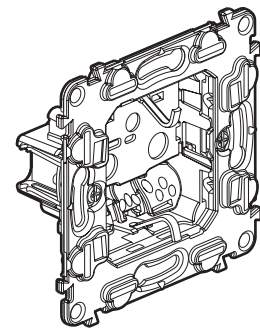
7 534 16/20/21/24/25/26 - 7 535 16/20/21/24/25/26 - 7 536 16/20/21/24/25/26
 7 537 20/21/24/25/26 - 7 538 20/21/24/25/26 - 7 539 20/21/24/26/30/31/34/35/36/45



7 534 20
 Valena Life



7 537 20
 Valena Allure



7 530 30
 Valena INMATIC

1. USE

German standard 16 A - 250 V~ socket outlets.
 Mechanisms supplied with protection cover.
 To be equipped with plates.
 Flush-mounting or surface-mounting.
 Screw or claw fixing.

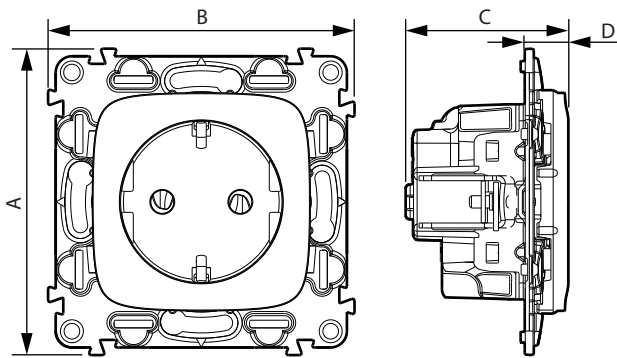
2. RANGE

Description	VALENA INMATIC	VALENA LIFE - Mechanism + Cover plate			VALENA LIFE - Cover plate only		
		White	Ivory	Aluminium	White	Ivory	Aluminium
2 P socket outlets with shutters	-	7 534 16	7 535 16	7 536 16	7 549 70	7 549 71	7 549 72
2 P+E socket outlets with shutters	7 530 30	7 534 20	7 535 20	7 536 20	7 552 00	7 552 01	7 552 02
	7 530 29	7 534 24	7 535 24	7 536 24			
2 P+E socket outlets without shutters	-	7 534 21	7 535 21	7 536 21	7 552 00	7 552 01	7 552 02
		7 534 25	7 535 25	7 536 25			
2 x 2 P+E socket outlets with shutters	7 530 31	7 534 26	7 535 26	7 536 26	7 549 50	7 549 51	7 549 52

Description	VALENA INMATIC	VALENA ALLURE - Mechanism + Cover plate				VALENA ALLURE - Cover plate only				
		White	Ivory	Aluminium	Black	White	Ivory	Aluminium	Black	Pearl
2 P+E socket outlets with shutters	7 530 30	7 537 20	7 538 20	7 539 20	7 539 30	7 552 05	7 552 06	7 552 07	7 552 08	7 552 09
	7 530 29	7 537 24	7 538 24	7 539 24	7 539 34					
2 P+E socket outlets without shutters	-	7 537 21	7 538 21	7 539 21	7 539 31	7 539 31	7 552 06	7 552 07	7 552 08	7 552 09
		7 537 25	7 538 25	7 539 25	7 539 45					
2 x 2 P+E socket outlets with shutters	7 530 31	7 537 26	7 538 26	7 539 26	7 539 36	7 549 55	7 549 56	7 549 57	7 549 58	7 549 59

4. OVERALL DIMENSIONS (mm)

Cat No: 7 537 20



Catalog numbers	A	B	C	D
7 530 29 - 7 530 30	75	75	38	9
7 530 31	82	71	51	-
7 534 20/21/24/25 - 7 535 20/21/24/25 7 536 20/21/24/25	75	75	40	11
7 534 16 - 7 535 16 - 7 536 16	75	75	37.5	10
7 534 26 - 7 535 26 - 7 536 26	98.5	71	54.5	22.5
7 537 20/21/24/25 - 7 538 20/21/24/25 7 539 20/21/24/30/31/34/35/45	75	75	40	11
7 537 26 - 7 538 26 - 7 539 26 - 7 539 36	114	90	54	22.5

5. CONNECTION

- Cat. Nos. 7 530 30/31 - 7 534 16/20/21/26
 7 535 16/20/21/26 - 7 536 16/20/21/26
 7 537 20/21/26 - 7 538 20/21/26
 7 539 20/21/26/30/31/36

Automatic terminals

Capacity: 2 x 2.5 mm²
 Stripping length: 13 mm
 Flexible or rigid cables compatible

- Cat. Nos. 7 530 29 - 7 534 24/25 - 7 535 24/25 - 7 536 24/25
 7 537 24/25 - 7 538 24/25 - 7 539 24/34/35/45

Screw terminals

Capacity: 2 x 2.5 mm²
 Tightening torque: 0.8 Nm
 Stripping length: 10 mm
 Screwdriver: Posidrive 1, Philips 1, flat 4 mm
 Flexible or rigid cables compatible

6. TECHNICAL CHARACTERISTICS

■ 6.1 Mechanical characteristics

Protection against solid bodies and liquids: IP 20
 Protection against impact: IK 04

■ 6.2 Material characteristics

Colour: - White RAL 9003
 - Ivory RAL 1013
 - Aluminium painting
 - Black painting

Material: - Plate ABS

- Socket cover plate: Polycarbonate
 - Halogen free
 - UV resistant

Material of the support: - Polycarbonate grey RAL 7037 + Metal
 - Halogen free

Self-extinguishing:

+ 850° C / 30 s for insulating parts holding live parts in place
 + 650° C / 30 s for other parts made of insulating materials

■ 6.3 Electrical characteristics

Voltage: 250 V~
 Current: 16 A
 Frequency: 50/60 Hz

■ 6.4 Climatic characteristics

Storage temperature: - 10° C to + 70° C
 Use temperature: - 10° C to + 40° C

7. MAINTENANCE

Surface cleaning with a cloth.

Do not use: acetone, tar remover, trichloroethylene.

Maintenance with the following products: Hexane (EN 60669-1), Methylated spirit, Soapy water, Diluted ammonia, Bleach diluted to 10%, Window-cleaning products.

Caution: A preliminary test should be carried out if other specific cleaning products are to be used.

8. STANDARDS AND APPROVALS

Compliance with standards of installation and manufacturing.
 Refer to e. catalogue.