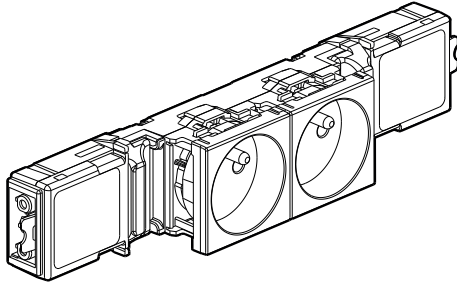
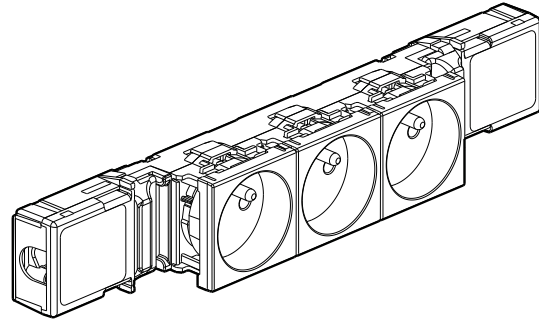


Mosaic™
Sockets for installation on DLP trunking with direct connection
Franco-Belgian standard

Cat. No(s): 4 500 08/09/10/11/12/13/14/15
 4 500 22/23/24/25



4 500 08



4 500 23

1. DESCRIPTION

Socket outlets with shutters for mounting on DLP trunking in conjunction with supports, with direct connection.
 Install one socket by support frame.

2. RANGE

Socket outlets with direct connection - Wieland GST18i3

	2 x 2 P+E - 4 modules ○ White ● Red tamperproof	4 500 08 4 500 10
	3 x 2 P+E - 6 modules ○ White ● Red tamperproof	4 500 09 4 500 11

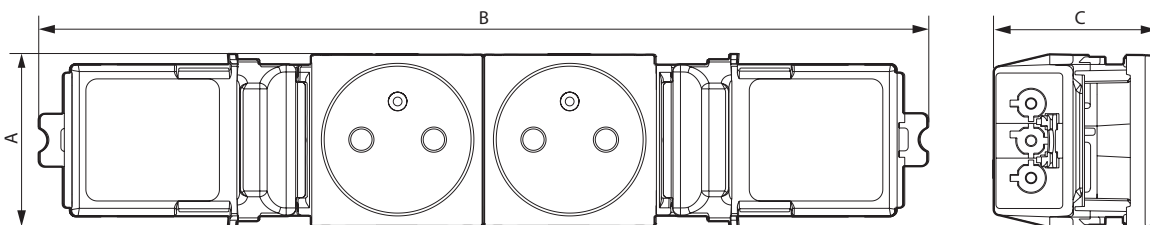
Socket outlets with direct connection - Wago Winsta

	2 x 2 P+E - 4 modules ○ White ● Red tamperproof	4 500 12 4 500 14
	3 x 2 P+E - 6 modules ○ White ● Red tamperproof	4 500 13 4 500 15

Socket outlets with cable clamp

	2 x 2 P+E - 4 modules ○ White ● Red tamperproof	4 500 22 4 500 24
	3 x 2 P+E - 6 modules ○ White ● Red tamperproof	4 500 23 4 500 25

3. DIMENSIONS (mm)



Refe rences	A	B	C
4 500 08/10/12/14	45,5	233	43
4 500 09/11/13/15	45,5	278	43
4 500 22/24	45,5	217	43
4 500 23/25	45,5	261	43

Sockets for installation on DLP trunking with direct connection

Franco-Belgian standard

4. CONNECTION

Direct connection requiring no tools.
 Connection Cat. No 4 500 22/23/24/25 : automatic terminals
 Number of terminals: 6
 Terminal capacity: 2 x 2.5 mm²
 Tightening the cable clamp by screwing.

5. TECHNICAL CHARACTERISTICS

■ 5.1 Mechanical characteristics

Impact tests: IK 04
 Protection against solid bodies and liquids: IP 40

■ 5.2 Material characteristics

Base: ABS
 Cover plate: PC
 Halogen free
 UV resistant
 Self-extinguishing:
 + 850° C/30 s for insulating parts holding live parts in place
 + 650° C/30 s for other parts made of insulating materials.

■ 5.3 Electrical characteristics

Voltage: 250 V~
 Current: 16 A

■ 5.4 Climatic characteristics

Storage and use temperature: -15° C to + 70° C


6. MAINTENANCE


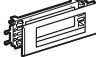
Surface cleaning with a cloth.
 Do not use: acetone, tar remover, trichloroethylene.

Caution: A preliminary test should be carried out if other specific cleaning products are to be used.

7. ACCESSORIES

Tamperproof insert

	● Red Fixes directly onto the 2 P+E plug of the appliance to be connected to the tamperproof socket.	0 502 99
---	---	----------

Supports		65 mm	85 mm
	4 modules	0 109 54	0 109 94
	6 modules	0 109 56	0 109 96

8. STANDARDS AND APPROVALS

Compliance with standards of installation and manufacturing.
 Refer to e-catalogue.