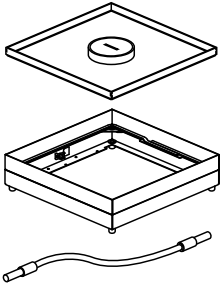


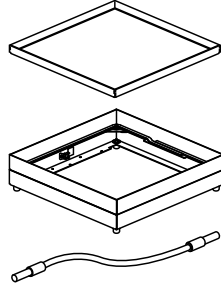
IP44 tile floor boxes

Cat.No(s): 0 896 04 - 0 896 87 - 6 896 22/23 - 6 896 57/58 - 6 896 62

6 896 23



6 896 22



CONTENTS

Page

1. Use	1
2. Range	1
3. Dimensions	2
4. Installation	2
5. Technical characteristics	4
6. Material characteristics	4

1. USE

The tile floor boxes provide power and low-current supply to the various workstations through the floor. An ideal solution for concrete screeds, a 24 mm-thick space is available on the cover for installing tiles and other floor coverings with a thickness between 18 and 24 mm.

2 products:

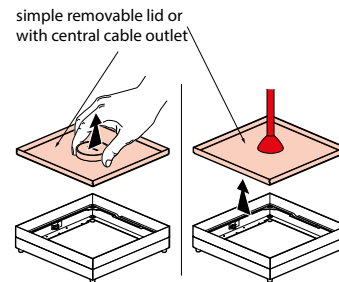
- 1 IP44 version with a simple removable lid
- 1 IP44 version with a removable lid equipped with a central cable outlet

Supports for Mosaic wiring devices

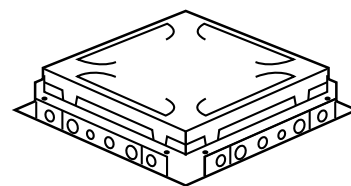
2. RANGE

Cat. Nos	Description	
6 896 22	IP 44 tile floor box with simple lid	
6 896 23	IP 44 tile floor box with central cable outlet	
0 896 87	Cable outlet accessory	
0 896 04	Flush-mounting box	
6 896 57	Kit of 2 vertical supports for 8 modules	

■ 2.1 Floor boxes cat. nos 6 896 22/23



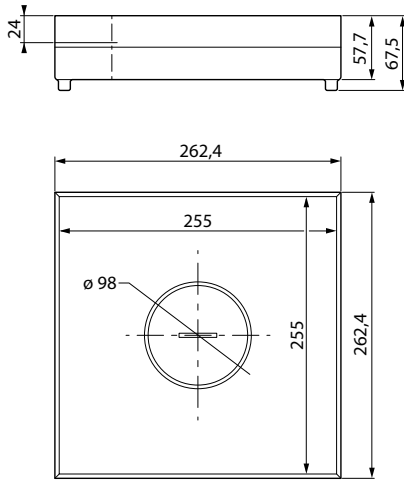
■ 2.2 Flush-mounting box cat. no 0 896 04



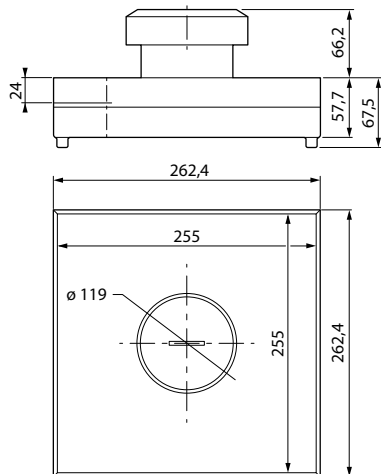
3. DIMENSIONS

3.1 Overall dimensions

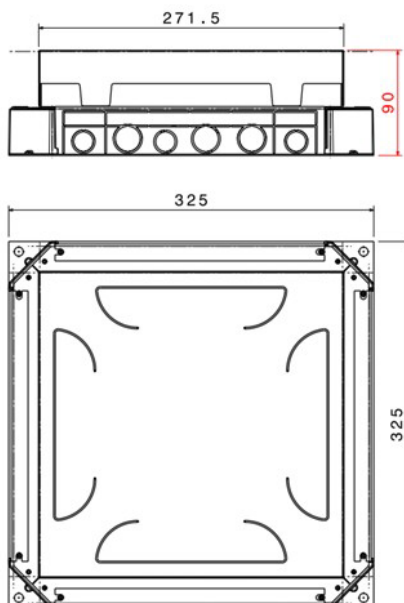
3.1.1 IP 44 tile floor box with or without cable exit cat. no 6 896 22/23



3.1.2 IP44 tile floor box with cable exit accessory cat. no 0 896 87 to be added (non delivered with cat. no. 6 896 23)



3.1.3 Flush-mounting box cat. no 0 896 04



4. INSTALLATION

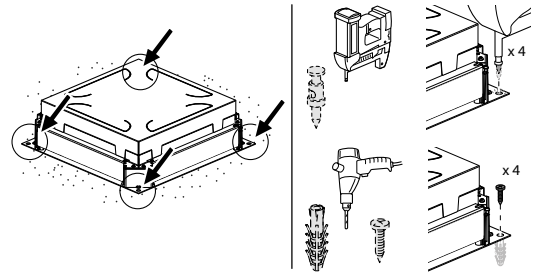
Only one installation method:

Installation in concrete only, using the flush-mounting box cat. no 0 896 04.

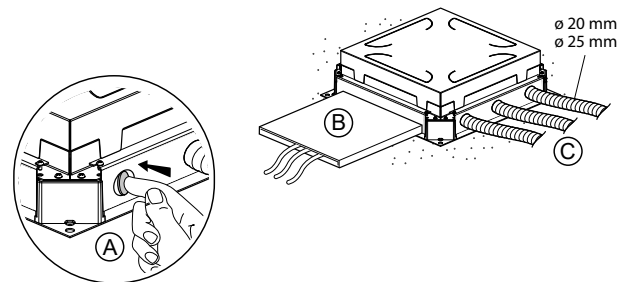
A minimum height of 65 mm and a maximum of 90 mm must be provided.

4.1 Cat. no 0 896 04 flush-mounting box installation

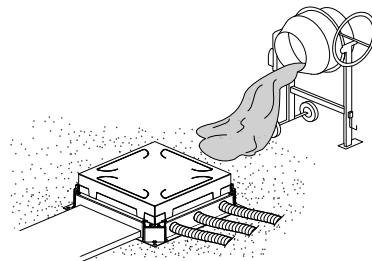
- Secure the flush-mounting box to the slab at all four corners using nail fastening or mechanical anchors



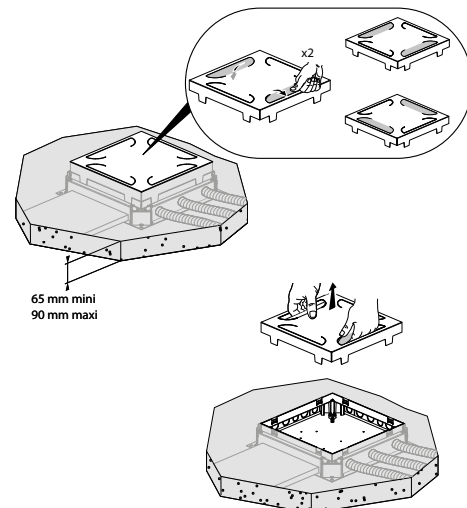
- Install ducts before pouring the slab



- Pour the concrete slab



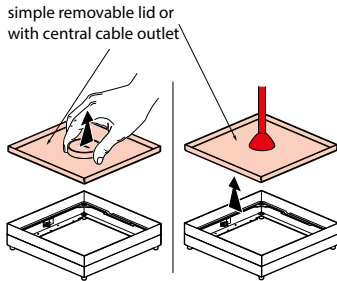
- When the concrete slab is dry, remove the mask from the top of the flush-mounting box before fitting the floor box



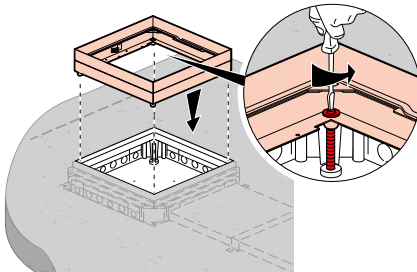
4. INSTALLATION (CONT.)

4.2 Cat. nos 6 896 22/23 tile floor boxes installation

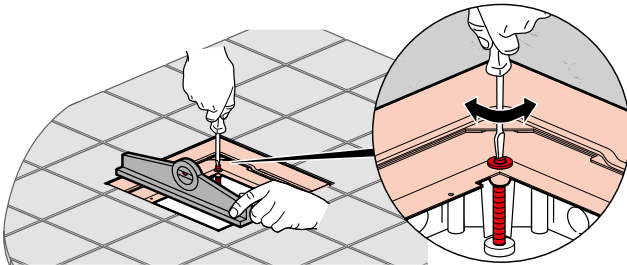
- Remove the lid from the floor box



- Position the floor box frame on the flush-mounting box



- After laying the tiles, level the floor box frame with respect to the finished floor surface



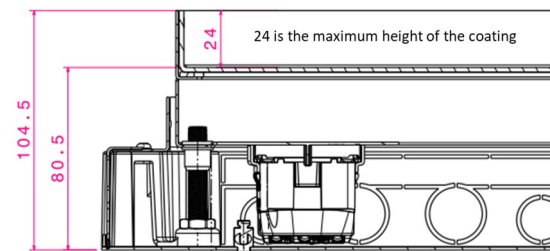
4.3 Wiring devices installation

4.3.1 Installation types:

- fixed horizontal
- fixed vertical

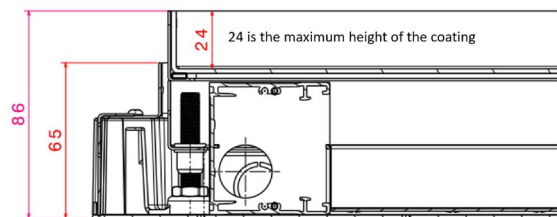
			H mini = 104.5 mm H maxi = 114 mm	H mini = 86 mm H maxi = 114 mm
			H mini = 86 mm H maxi = 114 mm	

Height specification for horizontal support installation



Min. concrete height 80.5 if coating (tiling + adhesive) = 24 mm
If coating < 24 mm, concrete height = 80.5 + 24 - coating

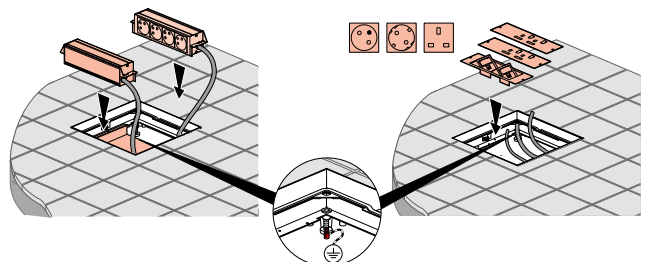
Height specification for vertical support installation



Min. concrete height 65 if coating (tiling + adhesive) > 21 mm
If coating < 21 mm, concrete height = 65 + 21 - coating

4.3.2 Size 45 mm sockets types:

- vertical = 2 x 8 modules
- horizontal = 3 x 8 modules

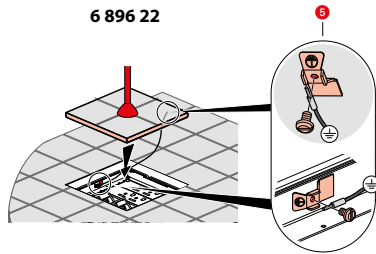


4. INSTALLATION (CONT.)

■ 4.3 Wiring devices installation (cont.)

4.3.3 Cable exit accessory cat. no 0 896 87

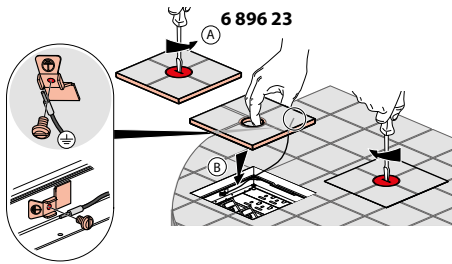
Tile floor box, cat. no 6 896 22: not equipped with a cable output. Requires removal of the lid during use.



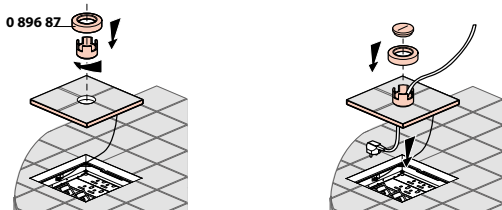
Tile floor box, cat. no 6 896 23

Equipped with a central threaded cable output for closing the box when sockets are in use.

Caution: In this scenario, there is no IPXX waterproofing.



For waterproofing with socket in use, use accessory cat. no. 0 896 87



5. TECHNICAL CHARACTERISTICS

Classification of floor boxes and enclosures for electrical wiring devices in accordance with the IEC 60670-1 and IEC 60670-23 standards.

7.1 Nature of material	Metal
7.2 Mounting mode	Flush mounted, semi-flush mounted in non-flammable floors
	Appropriate location for installation in concrete during the pouring phase
	Floor boxes and enclosures installed in floors subject to dry treatment (Cat. No. 0 88 056)
	Floor boxes and enclosures installed in floors subject to wet treatment (Cat. No. 6 896 22/23)
7.3 Types of inlet	No inlets. The inlet openings will be created during installation
7.4 Mounting modes	Without mountings
7.5 Minimum and maximum temperatures during installation	-5°C to +60°C
7.6 Maximum temperature during the concrete pouring phase	+60°C
7.8 Arrangements to secure devices to boxes	Boxes intended to be fitted with screws
7.101 Type of lid	Enclosure with detachable lid
15.101 Ability to withstand a vertical load applied via a small surface	500 N

Safety: check that the system is earthed

Earthing arrangement: resistance less than 0.05 Ω

Impact resistance: IK 08

Resistance to vertical load according to the standard EN 50085-2-2 (flexion < 6mm) :

- 5000N to load applied through large surface area (diameter 130mm)
- 2000N to load applied through small surface area (diameter 11mm)

Degrees of protection provided by the floor box with lid closed: IP44.

Cleaning: do not use abrasive products or detergents.

The visible parts of the floor box must be cleaned using a damp cloth only:



6. MATERIAL CHARACTERISTICS

Metal lid floor box:

- * Galvanised steel (DX51D Z275 MAC)
- * 304L stainless steel

Metal flush-mounting floor box:

- * Galvanised steel (DX51D Z275 MAC)
- * Zamak