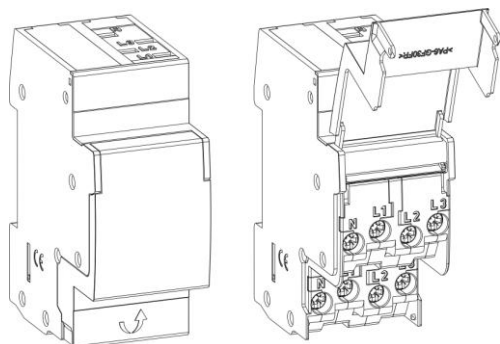


DX³ Busbar feed 3P+N With supply loop

Cat. N°(s) : 406 308



CONTENTS	PAGE
1. Description, use	1
2. Range	1
3. Overall dimensions	1
4. Preparation - Connection	1
5. General characteristics	2
6. Compliance and approvals	2
7. Auxiliaries and accessories	2

1. DESCRIPTION - USE

- . When supplied done by cables.
- These accessories allow to connect :
 - by supply busbar, a row of devices with automatic connection or screw connection.
 - by wire, an additional supply module.

2. RANGE

- Polarity :**
- . 4 poles : L1, L2, L3 et N
 - . Can be used in single-phase network with terminals N and L3

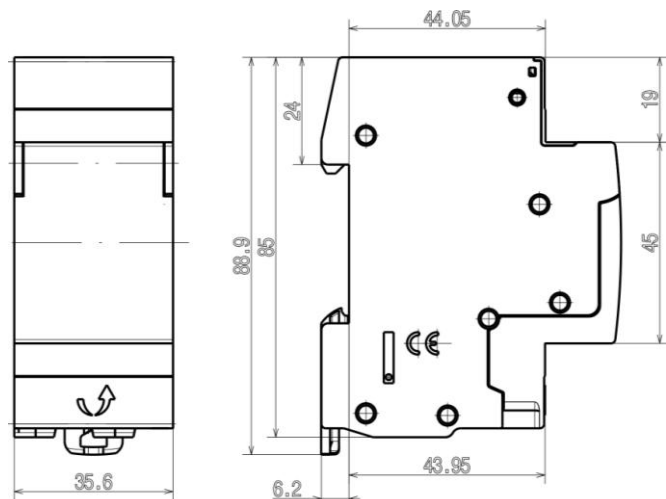
- Width :**
- . 2 modules - (35.6 mm)

- Rated current In :**
- . ≤ 63A

- Rated voltage :**
- . 400 V~ three-phase
 - . 230 V~ single-phase

- Rated frequency:**
- . 50 / 60 Hz

3. OVERALL DIMENSIONS

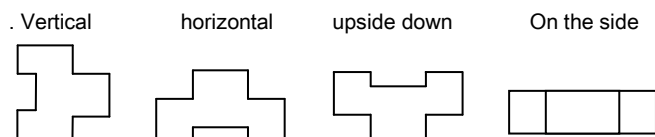


4. PREPARATION - CONNECTION

Mounting :

- . On symmetrical EN 60.715 rail or DIN 35 rail

Operating positions :



Connection :

- . Terminals protected against direct finger contact IP20 when wired device.
- . Input and possibility to reconnect by screw terminals in the lower part.
- . Cage terminals, with release and captive screws
- . Terminals fitted with shutters preventing a cable being placed under the terminal, with the terminal partly open or closed
- . Terminal depth : 14mm
- . Screw head: mixed, slotted and Pozidriv no. 2
- . Tightening torques:
 - Min = 1.2 Nm
 - Max = 2.8Nm
 - Recommended = 1.6 to 2 Nm
- . Output by automatic terminals in the upper part
 - Automatic terminals for pin busbar

Conductor type :

- . Screw terminal, in the lower part of the device
- . Copper cable
- . Cable cross-section:

	Without ferrule	With ferrule
Rigid cable	1 x 0.75 à 16 mm ² 2 x 0.75 à 6 mm ²	-
Flexible cable	1 x 0.75 à 10 mm ² 2 x 0.75 à 4 mm ²	-

DX³ Busbar feed 3P+N With supply loop

Cat. N°(s) : 406 308

4. PREPARATION - CONNECTION *(continued)*

Conductor type *(continued)* :

Automatic terminals, the top part of the device .

Pin busbar only :

- . Busbar HX³ 4-pole Cat. No. 4 052 00, 4 052 01 or 4 052 02 for a three-phase supply.
- . Busbar HX³ 1-pole universal Cat. No. 4 049 26 or 4 049 37, with L3 and N terminals for a single-phase supply.

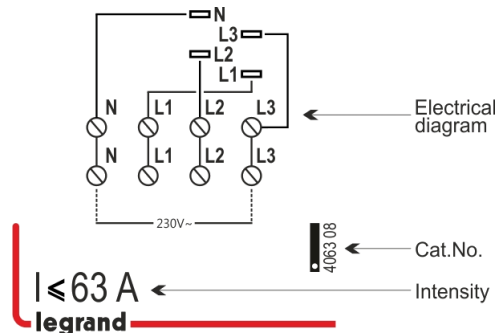
Recommended tools :

- . For the screw terminals, screwdriver with 5.5 mm to 6.5 mm blade or Pozidriv no. 2 screwdriver
- . For attaching or removing the DIN rail, screwdriver with 5.5 mm to 6.5 mm blade or Pozidriv no. 2 screwdriver

5. GENERAL CHARACTERISTICS

Marking on the front side :

- . By permanent ink pad printing



Insulation voltage :

- . $U_i = 500 \text{ V} \sim$

Dielectric strength :

- . $2000 \text{ V} \sim$

Rated impulse withstand voltage :

- . $U_{imp} = 4 \text{ kV}$ - (wave 1.2 / 50 μs)

Enclosure heat and fire resistance :

- . Resistance to glow wire tests at 960°C, in accordance with standard IEC/EN 61009-1
- . Classification V0, in accordance with standard UL94

Higher heating potential :

- . The heat potential is estimated at: 2,1 MJ

Product weight :

- . 0,15 kg

Packaged volume :

Volume (dm ³)	Packaging
0.4	Per 1

5. GENERAL CHARACTERISTICS *(continued)*

Ambient temperatures :

- . Operation: from -25°C to $+70^\circ\text{C}$
- . Storage: from -40°C to $+70^\circ\text{C}$

Degree or class of protection :

- . Terminals protected against direct contact, Class of protection against solid objects and liquids (wired device): IP20 in accordance with standards IEC 529 – EN 60529 and NF 20-010
- . Front panel protected against direct contact: IP 40
- . Class II in relation to metallic conductive parts
- . Class of protection against mechanical impacts IK 02 in accordance with standard EN 62262.

6. COMPLIANCE AND APPROVALS

In accordance with standards :

- . Vibration resistance according to IEC 68-2-6: 3g ($1g = 9.81\text{m.s}^{-2}$) at a frequency of 10 to 55 Hz during 30 min - 3 axes: x, y, z

Usage in special conditions :

- . Category C compliant (testing temperature range range from -25°C to $+70^\circ\text{C}$, resistant to salt spray) in accordance with the classification defined in Appendix Q of standard IEC/EN 60947-1

Respect for the environment – Compliance with European Union Directives :

- . Compliance with Directive 2002/95/EC of 27/01/03 known as "RoHS" which provides for a restriction on the use of dangerous substances such as lead, mercury, cadmium, hexavalent chromium and polybrominated biphenyl (PBB) and polybrominated diphenyl ether (PBDE) brominated flame retardants from 1st July 2006
- . Compliance with the Directive 91/338/EEC of 18/06/91 and decree 94-647 of 27/07/04

Plastic materials :

- . Halogen free plastic materials
- . Labelling of parts compliant with ISO 11469 and ISO 1043.

Packaging :

- . Design and manufacture of packaging compliant with decree 98-638 of 20/07/98 and Directive 94/62/EC

7. AUXILIARIES AND ACCESSORIES

Wiring accessories :

- . Supply busbar HX³ 1-pole universal (Cat. No. 4 049 26 or 4 049 37)
- . Supply busbar HX³ 4-poles (Cat. No. 4 052 00, 01, 02)