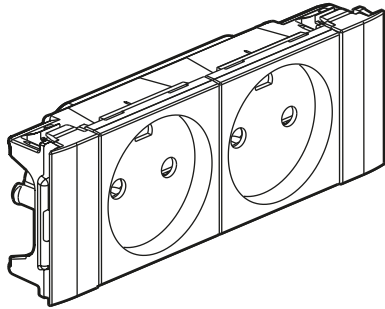
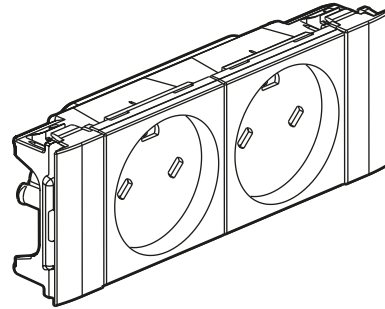


**Sockets for installation on DLP trunking with direct connection
 Danish standard**



0 775 18



0 775 19

1. DESCRIPTION

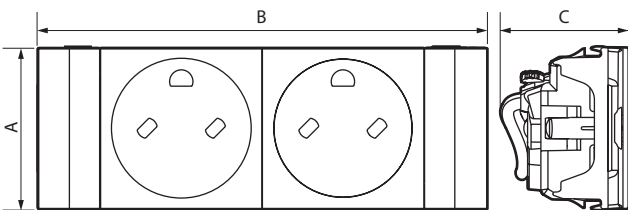
Sockets with connection at both sides for snap-on mounting on trunking. These sockets incorporate the Soluclip accessory to hold the socket in place and comply with standard EN 50085-2-1 (the IP 40 rating should not be affected by the cut-out in the cover).

2. RANGE

2 x 2P+E socket outlets - Danish standard - 4 modules

	○ White	0 775 18
	○ White tamperproof	0 775 19

3. OVERALL DIMENSIONS (mm)



Cat. Nos	A	B	C
0 775 18/19	46	125.5	36

4. CONNECTION

Type of terminals: automatic
 Number of terminals: 6
 Terminal capacity: 2 x 2.5 mm²
 Stripping length: 10 mm

5. TECHNICAL CHARACTERISTICS

■ **5.1 Mechanical characteristics**

Impact tests: IK 04
 Protection against solid bodies and liquids: IP 40

■ **5.2 Material characteristics**

Base: PC
 Cover plate: PC
 Halogen free
 UV resistant
 Self-extinguishing:
 + 850° C / 30 s for insulating parts holding live parts in place
 + 650° C / 30 s for other parts made of insulating materials.

■ **5.3 Electrical characteristics**

Voltage: 250 V~
 Current: 13 A

■ **5.4 Climatic characteristics**

Storage and use temperature: - 15° C to + 70° C

6. MAINTENANCE

Surface cleaning with a cloth.
 Do not use: acetone, tar remover, trichloroethylene.

Caution: A preliminary test should be carried out if other specific cleaning products are to be used.

7. ACCESSORIES

Soluclip accessory

	○ White ● Black Soluclip accessory, offers features such as anti-slip, anti-pullout, perfect cover finish, IP 40.	0 756 90 0 757 86
--	---	----------------------

8. STANDARDS AND APPROVALS

Compliance with standards of installation and manufacturing.
 Refer to e-catalogue.