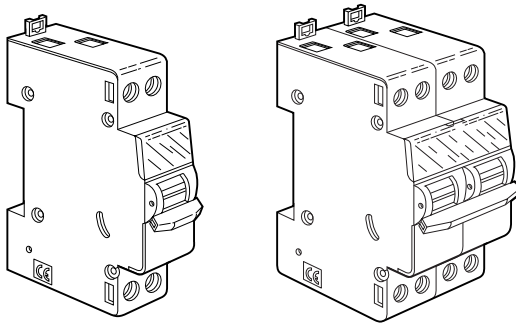


## CX<sup>3</sup> Two-way changeover switches

Catalogue number(s): 4 129 00 - 4 129 01 - 4 129 02 -  
4 129 03 - 4 129 04



### CONTENTS

### Page

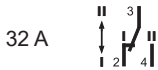
1. Description - Use .....	1
2. Range .....	1
3. Overall dimensions .....	1
4. Preparation - Connection .....	1
5. General characteristics .....	2
6. Compliance and approvals .....	3
7. Equipment and accessories .....	3

### 1. DESCRIPTION - USE

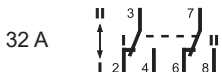
Changeover switch used to switch one or several circuits.

#### 2. RANGE

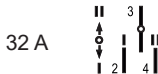
4 129 00: Two-way switch, 250 V~ - 1 mod



4 129 01 : Double two-way switch, 400 V~ - 2 mod



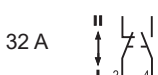
4 129 02: Two-way switch with centre-point, 250 V~ - 1 mod



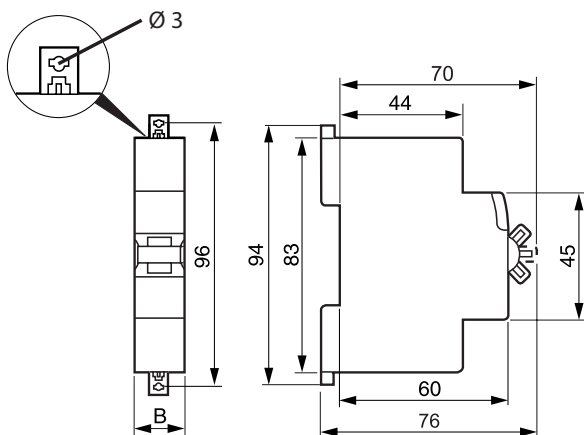
4 129 03: Double two-way switch with centre-point, 400 V~ - 2 mod



4 129 04: NO + NC switch, 250 V~ - 1 mod



### 3. OVERALL DIMENSIONS



	B
4 129 00/02/04	17.7
4 129 01/03	35.6

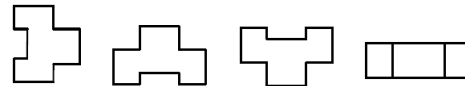
### 4. PREPARATION - CONNECTION

#### Mounting

- On EN 60715 or DIN 35 symmetrical rail
- With Ø 3 screws on plate using ends of released claws

#### Operating positions

- Vertical
- Horizontal
- Upside down
- On the side



#### Power supply

- 4 129 00/01/02: via the top
- 4 129 03: via the top (possibly via the bottom in specific cases)
- 4 129 04: via either the top or bottom

#### Module maintenance

A changeover switch with 1/2 module per pole can be replaced in the middle of a row of supply busbars without disconnecting the other products. This method is valid for single-pole and double-pole switches.

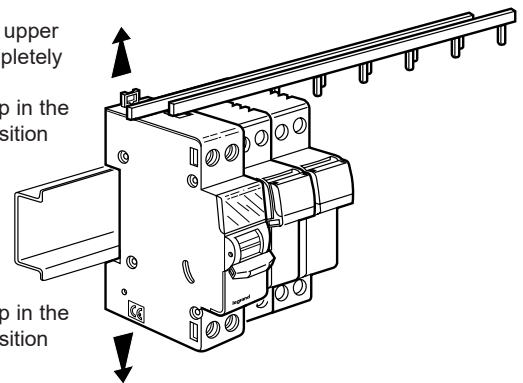
- 4 129 00/02 :

Terminal alignment and spacing allows connection via a busbar with other products in the range.

Unscrew the upper terminal completely

Put the clamp in the unlocking position

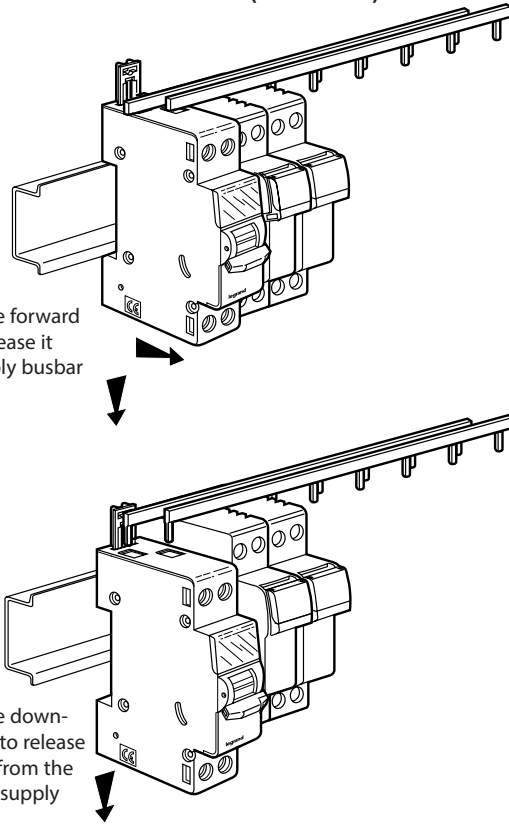
Put the clamp in the unlocking position



# CX<sup>3</sup> Two-way changeover switches

Catalogue number(s): 4 129 00 - 4 129 01 - 4 129 02 - 4 129 03 - 4 129 04

## 4. PREPARATION - CONNECTION (continued)



Pull the device forward in order to release it from the supply busbar

Pull the device downward in order to release it completely from the prongs of the supply busbar

### Connection

- Terminals protected against direct finger contact IP20, with device wired
- Cage terminals with quick release captive screws
- Terminals fitted with flaps preventing a cable being placed under the terminal, with the terminal partly open or closed
- Terminal alignment and spacing allows connection via prong-type supply busbars with other products in the range except for Cat. No. 4 129 04.
- Terminal depth: 14 mm
- Screw head: combined Pozidriv
- Tightening torques:

Min.	0.8 Nm
Max.	1.8 Nm
Recommended	1.2 Nm

### Type of conductor

Flexible with cable ends	1.5 to 6 mm <sup>2</sup>
Rigid	1.5 to 6 mm <sup>2</sup>

### Recommended tools

Flat screwdriver	Ø 4 mm
Pozidriv screwdriver	PZ 1

### Manual actuation of the device

- 4 129 00/01/04:
  - Via 2-position handle: I - II
- 4 129 02/03:
  - Via 3-position handle: I - 0 - II

## 4. PREPARATION - CONNECTION (continued)

### Contact status display

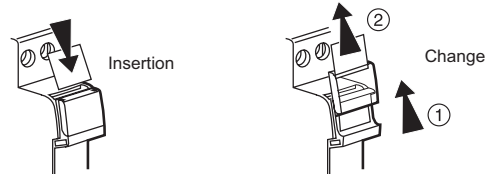
- By marking on the handle

### Padlocking

- Possible for preventing switching
- Not possible for safety maintenance

### Labelling

- Circuit identification by way of a label inserted in the label holder situated on the front of the product



## 5. GENERAL CHARACTERISTICS

### Marking on the front

- By permanent pad printing



### Marking on the top

- By permanent pad printing

Standard → IEC 60669-1

### Rated current

- 32 A: with resistive load

### Operating voltage

- Single pole: U<sub>e</sub> = 250 V~
- Double pole: U<sub>e</sub> = 400 V~

### Overvoltage category

- 4 kV~

### Rated frequency

- 50/60 Hz with standard tolerances

### Short-circuit characteristics

According to IEC/EN 60947-3:

- I<sub>cw</sub> = 384 A

### Dielectric strength

- U<sub>i</sub> = 2 kV~

### Utilisation category

- AC22: mixed loads
- A: frequent operations

## 5. GENERAL CHARACTERISTICS (continued)

### Pollution degree

. 2

### Dissipated power per pole

. 1.5 W

### Protection index or class

- . Terminals protected against direct contact, protection index against solid objects and liquids (wired device): IP20 in accordance with standards IEC/EN 60529 and NF 20-010
- . Class II in relation to metal conductive parts
- . Protection index against mechanical impacts IK04 in accordance with standard EN 62262

### Plastic materials

- . PC
- . Zero-halogen plastic materials

### Enclosure resistance to heat and fire

- . Resistance to incandescent wire tests at 960°C, in accordance with standard IEC 60695-2-10 and 60695-2-11

### Ambient temperatures

- . Operation from -5°C to +40°C
- . Storage from -10°C to +70°C
- . The following climatic conditions can affect device performance: hot and dry; cold and dry; hot and humid; salt spray

### Volume when packed

- . Single pole:
  - . packaging: by 10
  - . volume: 1.6 dm<sup>3</sup>
- . Double pole:
  - . packaging: by 5
  - . volume: 1.6 dm<sup>3</sup>

### Average unit weight

- . 1 module: 65 g
- . 2 modules: 130 g

### Distance between contacts Cat. No. 4 129 03

- . The distance between the contacts allows two different power supplies to be used.

## 6. COMPLIANCE AND APPROVALS

### Compliance with standards

- . IEC/EN 60669-1

### Respect for the environment - Compliance with European Union Directives

- . Compliance with Directive 22002/95/EC of 27/01/03 known as "RoHS" which provides for a restriction on the use of hazardous substances such as lead, mercury, cadmium, hexavalent chromium and polybrominated biphenyl (PBB) and polybrominated diphenyl ether (PBDE) brominated flame retardants from 1st July 2006
- . Compliance with Directive 91/338/EC of 18/06/91 and decree 94-647 of 27/07/04

### Packaging

- . Design and manufacture of packaging compliant with decree 98-638 of 20/07/98 and Directive 94/62/EC

### Approvals obtained

- . See list of available approvals

## 7. EQUIPMENT AND ACCESSORIES

### Wiring accessories

- . supply busbars
- . incoming terminals

### Installation software

- . XL PRO<sup>3</sup>