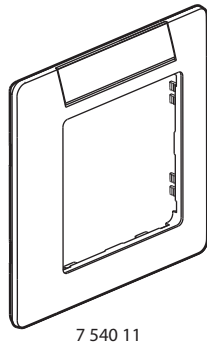
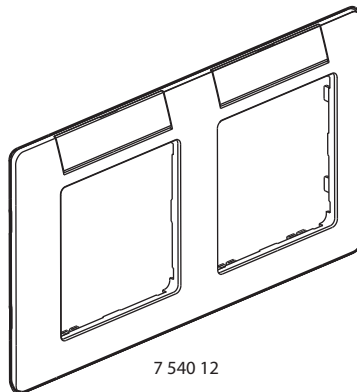


Valena Life™
Finish plates - White labelholder

Cat. No(s): 7 540 11/12/13



7 540 11



7 540 12

1. USE

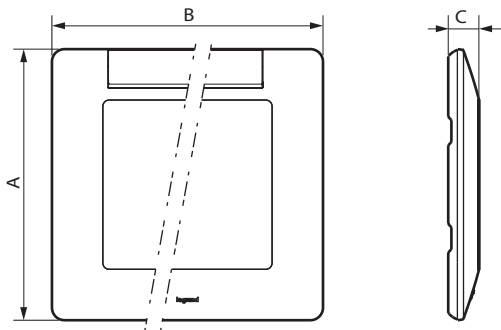
Frame plates for fitting on Valena mechanisms from 1 to 3 gangs.

2. RANGE

PLATES SUPPLIED WITH A WHITE-TRANSPARENT UNDER PLATE

	1-gang	7 540 11
	2-gang	7 540 12
	3-gang	7 540 13

3. OVERALL DIMENSIONS (mm)



Catalogue Numbers	A	B	C
7 540 11	86	86	9.8
7 540 12	86	157	9.8
7 540 13	86	288	9.8

4. MOUNTING

The plates are clipped via notches to supports (the notches are used to compensate for the thickness. Example: wall carpet). Easy to remove with a screwdriver using the slots on the side of the plate.

5. TECHNICAL DATA

■ **5.1 Mechanical characteristics**

Impact tests: IK 04

■ **5.2 Material characteristics**

Decor plates: ABS
 Under-plates: PC
 UV resistant
 Halogen free
 Self-extinguishing: 650° C / 30 s

■ **5.3 Climatical characteristics**

Storage temperature: - 10° C to + 70° C
 Use temperature: - 5° C to + 50° C

6. CLEANING

Surface cleaning with a cloth.
 Do not use: acetone, tar remover, trichloroethylene.
 Dish-washer proof.

■ **6.1 Resistance to the following cleaning substances**

- Hexane (EN 60669-1),
- Methylated spirit,
- Soapy water,
- Diluted ammonia,
- Diluted pure bleach 10%,
- Glass cleaning product,
- Pre-impregnated wipes.

■ **6.2 Resistance to the following hospital-type cleaning substances**

- Anios,
- Surfanios,
- Bactylisine,
- Hydrogen peroxide (oxygenated water 35%).

Caution: A spot test should be carried out before using any other specific cleaners.

7. SPECIAL USE

The plates must not be painted.