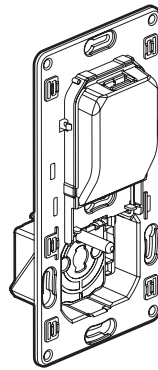


Céliane™

2 P+E / single USB mixed socket outlet

Franco-Belgian standard

Cat. No(s): 0 671 16



1. USE

2 P+E socket + USB power supplies.
 USB power supplies: for recharging portable devices such as phones, smartphones, tablets, MP3, MP4, loudspeakers, watches, game consoles, powerbanks.
 Mechanism supplied with support frame.
 To be equipped with plates and cover plates.

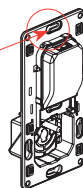
2. RANGE

Designation	References
Mixed socket composed of: - 2 P+E socket - 16 A - 250 V - single USB socket - 5 V - 1000 mA	0 671 16
White cover plate, flush	0 681 16
Titane cover plate, flush	0 684 16
Graphite cover plate, flush	0 679 16

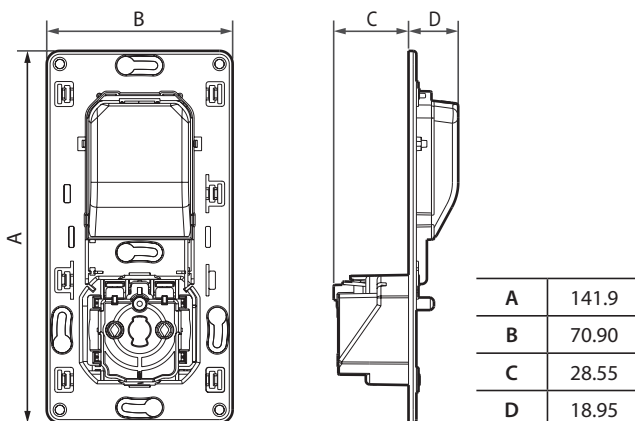
3. MOUNTING

To be installed in 1-gang flushing box.

Addition of a screw required to secure fixing of the mechanism.



4. OVERALL DIMENSIONS (mm)



5. CONNECTION

- **5.1 2 P+E:**
 Terminal type: automatic
 Terminal capacity: 2 x 2.5 mm²
 Stripping length: 12 mm
 Flexible or rigid cables compatible
- **5.2 USB:**
 Prewired socket

6. TECHNICAL CHARACTERISTICS

- **6.1 Mechanical characteristics**
 Protection against impact: IK 04
 Protection against solid bodies and liquids: IP 40
- **6.2 Material characteristics**
 - Case: PC
 - Socket cover plate: PC
 - Halogen free
 - UV resistant
 Self-extinguishing:
 + 850° C / 30 s for insulating parts holding live parts in place
 + 650° C / 30 s for other parts made of insulating materials.
- **6.3 Electrical characteristics 2 P+E socket**
 Voltage: 250 V~
 Current: 16 A
 Frequency: 50/60 Hz
- **6.4 Electrical characteristics USB socket**
 All values listed below are measured at an ambient temperature of + 25° and after 15 minutes of operation.

Nominal input voltage	220-240 V~
Nominal input frequency	50-60 Hz
Nominal input current	150 mA
Stand-by power consumption at U _{in}	0.1 W
Nominal output voltage	5 V=
Nominal output current	1000 mA
Efficiency can meet energy star level "V" (≥ 66% measured at USB socket output side)	
Safety-standard	EN60950-1
Protection class	II - Low voltage

Note: Suitable to replace a 2 P+E socket on the existing electrical installation, 3 or 6 wiring cables.

2 P+E / single USB mixed socket outlet Franco-Belgian standard

6. TECHNICAL CHARACTERISTICS *(continued)*

■ 6.5 Climatic characteristics

Storage temperature: - 20° C to + 70° C

Operating temperature: 0° C to + 45° C

7. CLEANING

Surface cleaning with a cloth.

Do not use: acetone, tar remover, trichlorethylene.

Caution: A preliminary test should be carried out if other specific cleaning products are to be used.

8. STANDARDS AND APPROVALS

IEC 60950-1: low voltage directive.

IEC 62684 / EN 50558 conform to the interoperability specifications of common external power supply (EPS) for use with mobile telephones.

Conform to eco design directive 2009/125/EC.