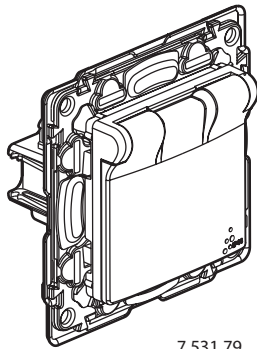
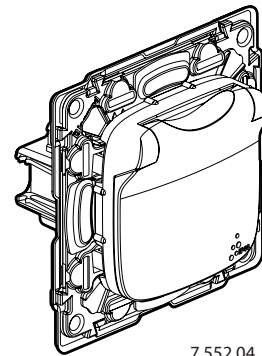


**Valena™ Life - Valena™ Allure**  
**IP 44 socket outlets**

**Cat. No(s): 7 531 19 - 7 531 79 - 7 552 04 - 7 553 04**



7 531 79



7 552 04

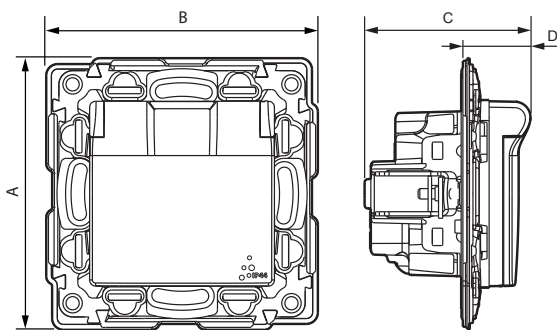
**1. USE**

Waterproof socket outlets, Franco-Belgian et German standards.  
 Mechanisms supplied with support, cover plate, airtight sleeve, site protective cover.  
 To be fitted with single module or multi-module plates.  
 Mounted on standard plates.

**2. RANGE**

Description	Valena Life	Valena Allure
<b>2 P+E socket outlets German standard</b> To be equipped with plates.	7 531 19	7 552 04
<b>2 P+E socket outlets Franco-Belgian standard</b> To be equipped with plates.	7 531 79	7 553 04

**3. DIMENSIONS (mm)**



Cat. No(s)	A	B	C	D
7 531 19	78.5	78.5	48	20
7 531 79	78.5	78.5	45.5	19.5
7 552 04	78.5	78.5	49	21
7 553 04	78.5	78.5	46	20

**4. CONNECTION**

Automatic terminals  
 Capacity: 2 x 2.5 mm<sup>2</sup>  
 Stripping length: 13 mm  
 Compatible flexible or rigid cables.

**5. TECHNICAL CHARACTERISTICS**

■ **5.1 Mechanical characteristics**

Protection against solid bodies and liquids: IP 44  
 Protection against impact: IK 04

■ **5.2 Material characteristics**

Colour: White RAL 9003  
 Material: - Membrane: PP  
 - Flap cover: PP  
 - Cover plate (of the socket outlet): PC  
 - Halogen free  
 - UV resistant

Material of the support: - Polycarbonate grey RAL 7037 + metal  
 - Halogen free

Self-extinguishing:  
 + 850° C / 30 s for insulating parts holding live parts in place  
 + 650° C / 30 s for other parts made of insulating materials.

■ **5.3 Electrical characteristics**

Voltage: 250 V~  
 Current: 16 A  
 Frequency: 50/60 Hz

■ **5.4 Climatic characteristics**

Storage temperature: - 10° C to + 70° C  
 Use temperature: - 5° C to + 35° C

**6. MAINTENANCE**

Surface cleaning with a cloth.

Do not use: acetone, tar remover, trichloroethylene.

Maintenance with the following products: Hexane (EN 60669-1), Methylated spirit, Soapy water, Diluted ammonia, Bleach diluted to 10%, Window-cleaning products..

**Caution:** A preliminary test should be carried out if other specific cleaning products are to be used.

---

## 7. STANDARDS AND APPROVALS

Compliance with standards of installation and manufacturing.  
Refer to e. catalogue.