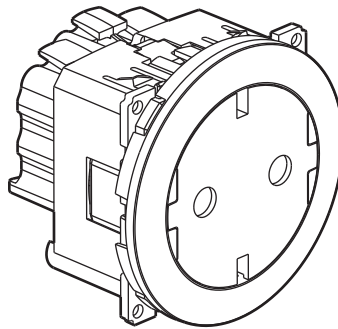


# Céliane™

## Flush-fit socket - German standard

Cat. Nos.: 0 671 66/67/68/69



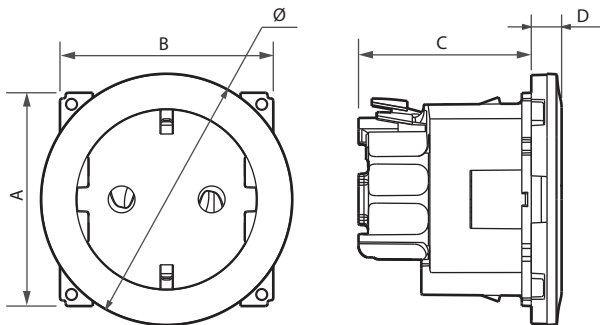
### 1. DESCRIPTION

Flush-fit socket outlets 2 P+E, supplied with cover.  
 With protection eclips.  
 To be equipped with plate.

### 2. RANGE

| Designation            | White    | Titanium | Graphite | Ivory    |
|------------------------|----------|----------|----------|----------|
| Flush-fit socket 2 P+E | 0 671 66 | 0 671 67 | 0 671 68 | 0 671 69 |

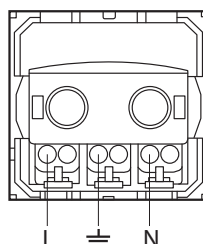
### 3. OVERALL DIMENSIONS (mm)



| A  | B  | Ø  | C    | D   |
|----|----|----|------|-----|
| 45 | 45 | 53 | 36.5 | 6.5 |

### 4. CONNECTION

Number of terminals: 3  
 Type of terminals: automatic  
 Terminal capacity: 2 x 2.5 mm<sup>2</sup>  
 Stripping length: 13 mm



### 5. TECHNICAL CHARACTERISTICS

#### ■ 5.1 Protection class

Protection contre les corps solides et liquides : IP 20  
 Impact test : IK 04

#### ■ 5.2 Material characteristics

Base: Polycarbonate  
 Cover: Polycarbonate  
 UV resistant  
 Halogen free

#### Self-extinguishing:

+ 850° C / 30 s for insulating parts holding live parts in place.  
 + 650° C / 30 s for other parts made of insulating materials.

#### ■ 5.3 Electrical characteristics

Voltage: 250 V~  
 Current: 16 A

#### ■ 5.4 Climatic characteristics

Storage temperature: - 10° C to + 70° C  
 Operating temperature: - 5° C to + 50° C

### 6. CLEANING

Surface cleaning with a cloth.  
 Do not use: acetone, tar remover or trichloroethylene.

Resistance to the following products:

- Hexane (EN 60669-1), methylated spirit, soapy water, diluted ammonia, diluted pure bleach 10%, glass cleaning products, pre-impregnated wipes.
- Anios, Surfanos, Bactilyline, Hydrogen peroxide (35%).

**Caution:** A preliminary test should be carried out if other specific cleaning products are to be used.

### 7. STANDARDS AND APPROVALS

Compliant with installation and manufacturing standards.  
 See e-catalogue.