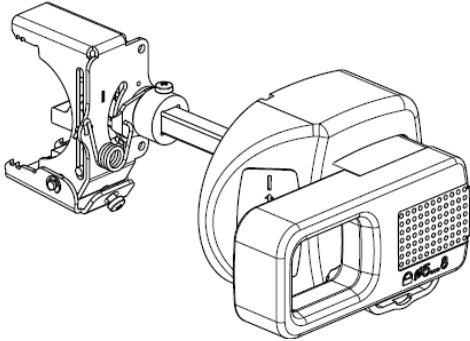


DX³ Front external rotary handles

Cat. No(s): 4 063 19/20



CONTENTS	PAGE
1. Description - Use.....	1
2. Range	1
3. Overall dimensions.....	1
4. Preparation - Mounting.....	2-3
5. General characteristics.....	3-4
6. Compliance and approvals.....	4
7. Equipment.....	4

1. DESCRIPTION, USE

. The front external rotary handles are used to control the modular associated product (open or closed) via the door-mounted handle, without opening the cabinet.

2. RANGE

The front external rotary handles is supplied complete:
Each package includes:

- 1 actuator
- 1 handle
- connecting rods
- 1 bracket
- 1 self-adhesive drilling template
- fixing accessories

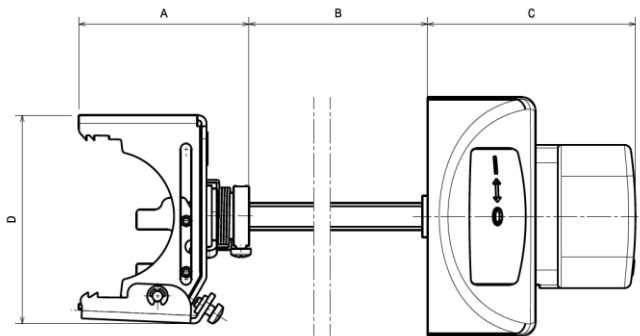
. Cat. No. 4 063 19: with black handle



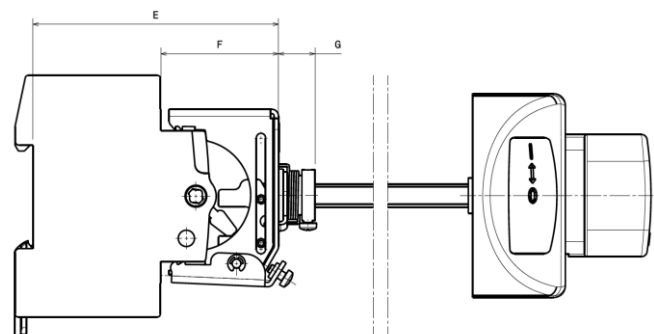
. Cat. No. 4 063 20 with red/yellow handle



3. OVERALL DIMENSIONS



Cat. No.	Dimensions (mm)			
	A	B (max.)	C	D
4 063 19	50.4	250.5	62	61
4 063 20				

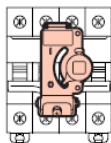


Cat. No.	Dimensions (mm)			
	E	F for 1 module/pole	F for 1.5 modules/pole	G
4 063 19	85	41	39.5	12.6
4 063 20				

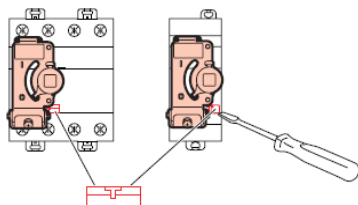
4. PREPARATION - MOUNTING

Product mounting:

. Mounted on the front of modular products.
On Legrand items without test button: the actuator must be placed in the middle of the device.

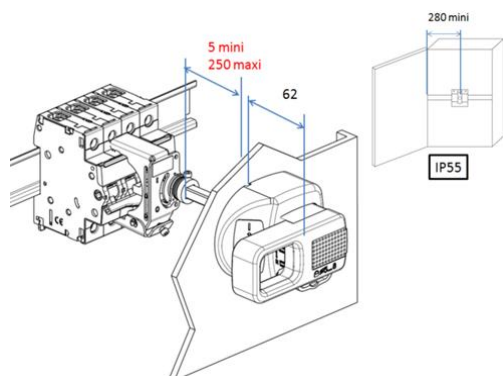


On Legrand items with test button: the actuator must be placed in such a way that the test button is always accessible.

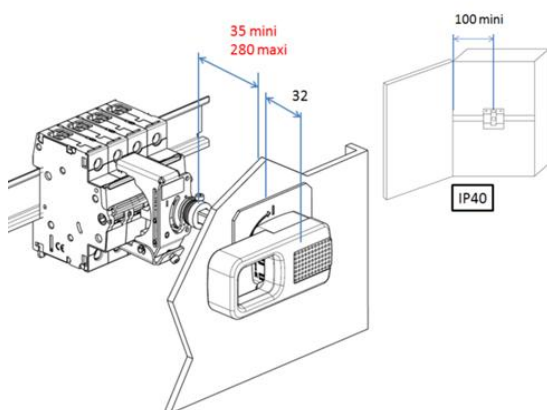


Door mounting:

On IP55 enclosure: 280 mm min. dimension on the hinge side.



On IP40 enclosure: 100 mm min. dimension on the hinge side.



Screw head :

. Pozidriv 1

Tightening torque:

. 0.8 Nm

4. PREPARATION - MOUNTING (continued)

Tools required:

. Pozidriv no.1 screwdriver

Actuation of the associated device :

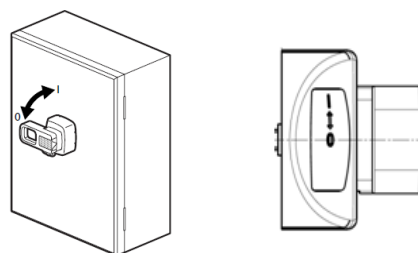
. Via the external control handle. The handle of the associated device is not reachable anymore

Status display of the front external rotary handle:

. Via the handle position:

- Up position I/ON: The associated product is activated.
- Down position O/OFF: The associated product is deactivated.

Marking on the handle:



Opening the door of the enclosure:

. This operation can be done only when the handle in down position: O/OFF, and the associated product is deactivated.
. The door cannot be opened when the handle in up position: I/ON. The associated product is activated.

Assembling:

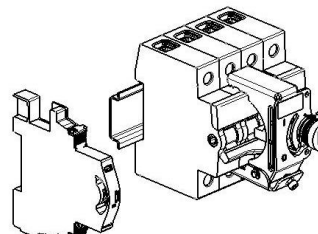
. On the front of the following 2-pole, 3-pole and 4-pole modular products:

- MCBs 1 or 1.5 module per pole (included DX³ 125 or 25 kA to 50 kA circuit breakers)
- Isolating switches
- Isolating switches with release-1 or 1.5 modules per - RCCBs
- RCBOs

List of permitted combinations:

. Allows the access to the terminals of the associated device and to the sides of the product. the following items can still be used:

- Signalling and tripping auxiliaries
- Motorised controls
- Accessories (insulation dividers, screw covers or terminals, ...)



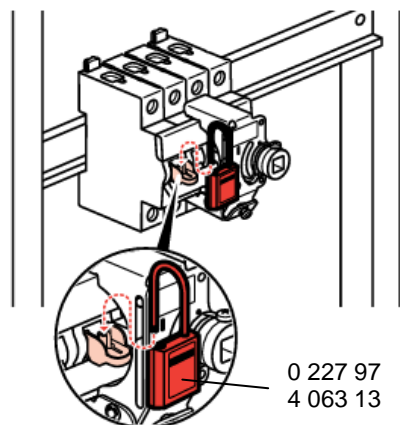
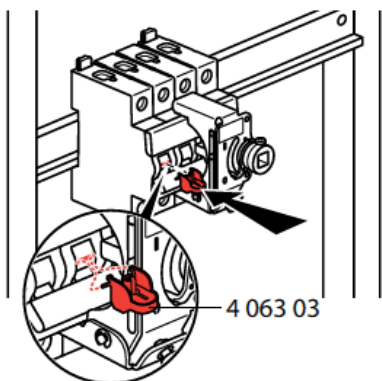
4. PREPARATION - MOUNTING *(continued)*

Locking:

In two steps:

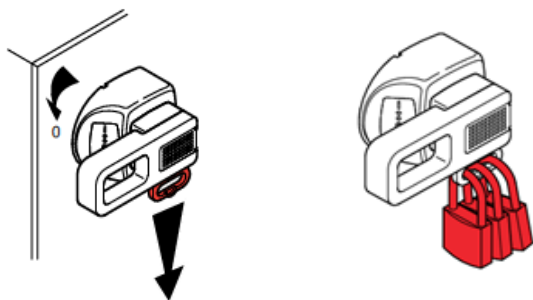
. Step 1 on the associated device:

- Put the handle of the front external rotary handle in the down position (O/OFF).
- Open the door of the enclosure.
- Fit the locking accessory Cat. No. 4 063 03 on the associated device and one padlock: Ø6 mm Cat. No. 0 227 97 or Ø5 mm Cat. No. 4 063 13



Step 2 on the external rotary handle:

- Close the door of the enclosure: the handle is in the down position (O/OFF)
- Pull down the locking tab. From this moment the cabinet door cannot be opened
- Lock with up to 3 padlocks: Ø6 mm Cat. No. 0 227 97 or Ø5 mm Cat. No. 4 063 13



5. GENERAL CHARACTERISTICS

Marking:

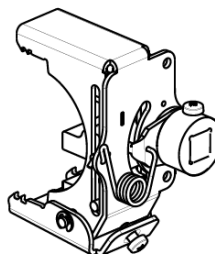
. By permanent flexography on the label, on the front of the external control:



- Range name: DX³
- Brand: Legrand
- Marking area for information about the associated product: In.....A
- Logo:

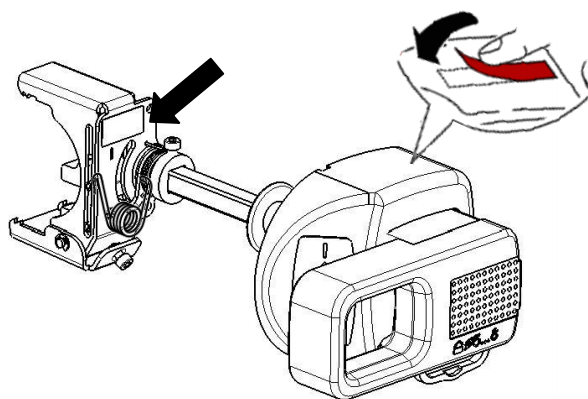
. By machining on the front external rotary handle:

- Front external rotary handle status: I/O



Marking on the actuator:

. Marking on the actuator, via the label on the front
. Possible marking on the handle, via a label (not supplied)



Mechanical endurance:

. The Front external rotary handle can withstand the same number of mechanical endurance cycles as the associated product.

Ambient temperature:

. Operation: from -25°C to +70°C
. Storage: from -40°C to +70°C

5. GENERAL CHARACTERISTICS *(continued)*

Material:

. Self-extinguishing, resistance to heat and fire according to standard EN 60695-2-11, glow-wire test at 650°C.

- Handle + bracket: glass fibre filled polycarbonate
- Catch pin: yellow zinc-plated DC01 steel (6 microns)
- Seal: SBS
- Drilling template: self-adhesive paper
- Connecting rods: aluminium
- Locking accessory: polyamide and Zamak
- Screws and spring: galvanised + stainless steel
- Other: brass
- Actuator: PA66 GF

Index of protection:

. Handle index of protection against solid objects and liquids: IP 55 in accordance with IEC 60529, once the handle has been mounted on the door and the retaining ring correctly fitted (supplied with the external control).

. Index of protection against mechanical impacts: IK 10 in accordance with standard EN 62262.

Resistance to mechanical vibrations:

. Acceleration amplitude: 10 g

. Pulse duration: 18 ms

Product weight:

. 350 g with all components and accessories fitted.

Volume:

. Packaged: 2.52 dm³

. Without packaging: 2.6 dm³

6. COMPLIANCE AND APPROVALS

Environment:

. Compliance with European Union directives

. Compliance with directive 2002/95/EC dated 27/01/03 known as "RoHS" which provides for a restriction on the use of dangerous substances such as lead, mercury, cadmium, hexavalent chromium and polybrominated biphenyl (PBB) and polybrominated diphenyl ether (PBDE) brominated flame retardants from 1st July 2006

. Compliance with directive 91/338/EEC of 18/06/91 and decree 94-647 of 27/07/94

7. EQUIPMENT

software:

. XL PRO³