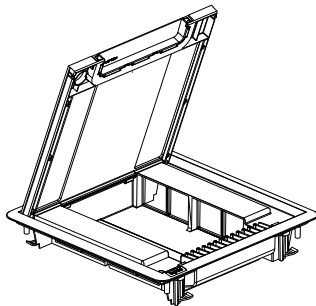


50 mm "reduced height" floor boxes

Cat. No(s): 0 880 70/71/72/73 - 981350/51



0 880 70

1. USE

Floor boxes allow :

- Energy and data supply for working stations trough the ground
- The use of various types of coatings like carpet or vinyl up to 3mm high.

They also bring ideal solution for concrete floor or technical floor for renovation.

2. RANGE

For technical space \geq 50mm

For renovation of technical floor (or concrete floor) with low depth

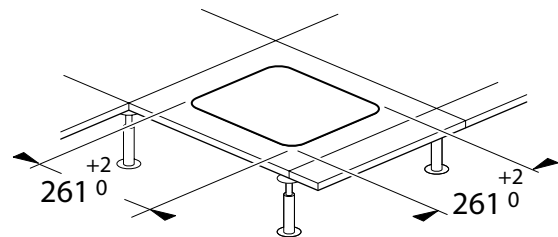
- To be equipped with 16 Mosaic modules wiring accessories
- Delivered with movable cover with small recess for carpet or vinyl.
- Easy opening by large handle.
- Certified to CEI 60670-23
- Grey colours RAL 7031
- For vertical positioning of wiring accessories
- They ensure perfect cable separation.

Cat. nos	Description
0 880 70	50 mm "reduced height" floor boxes - 16 modules
0 880 71	2 insulation boxes for raised floors
0 880 72	Stainless steel finishing plate
0 880 73	Backbox for shallow concrete floor

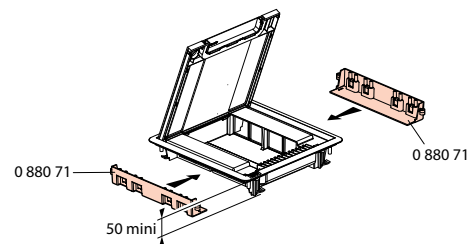
3. INSTALLATION

■ 3.1 Installation of reduced height floor box cat no 0 880 70 in a raised floor

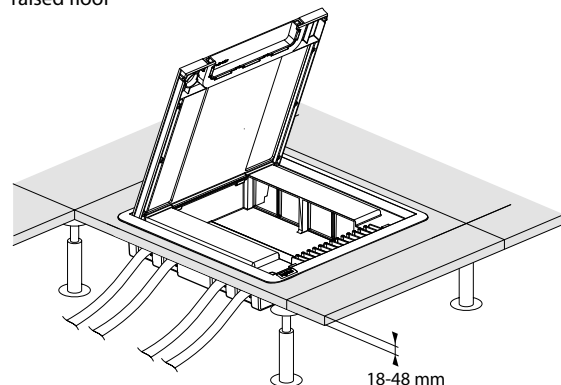
Technical floor is cut out according to dimensions below:



Floor space dimension of the box (frame dimensions) = 283x283mm
 installation of insulation boxes cat. no 0 880 71 on the floor box



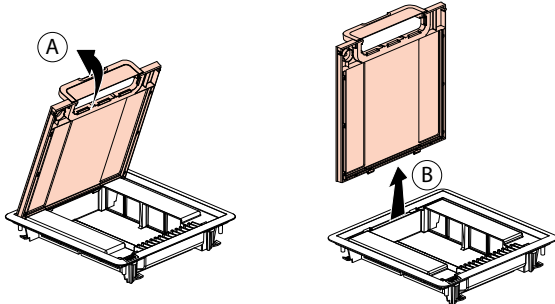
Minimum height required is 50mm for installation of the floor box in the raised floor



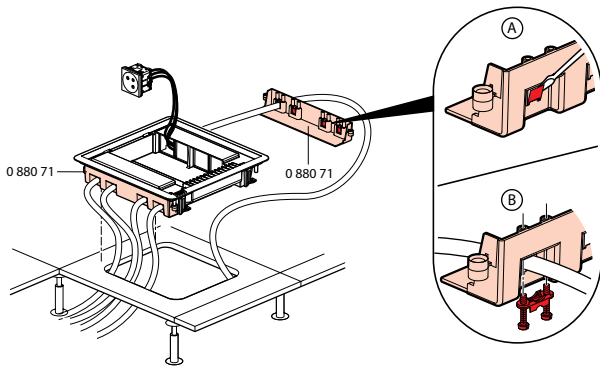
3. INSTALLATION (cont.)

■ 3.1 Installation of reduced height floor box cat no 0 880 70 in a raised floor (cont.)

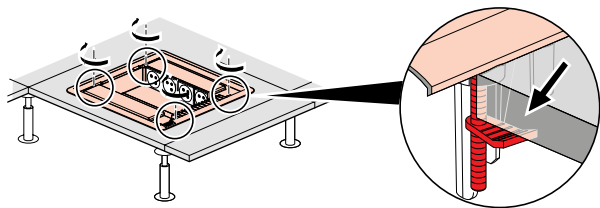
Lid can be removed for an easy installation of socket



Sockets cabling



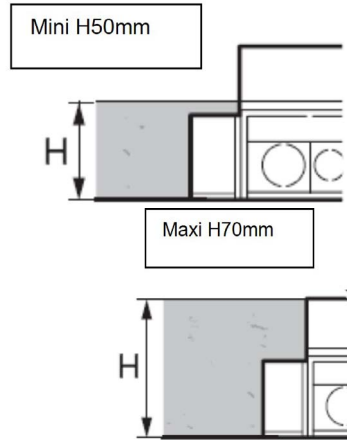
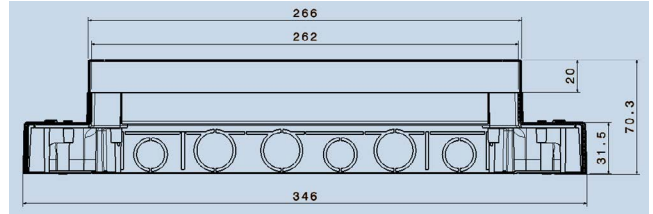
Cable retainer function can be used only with cables (A & B).



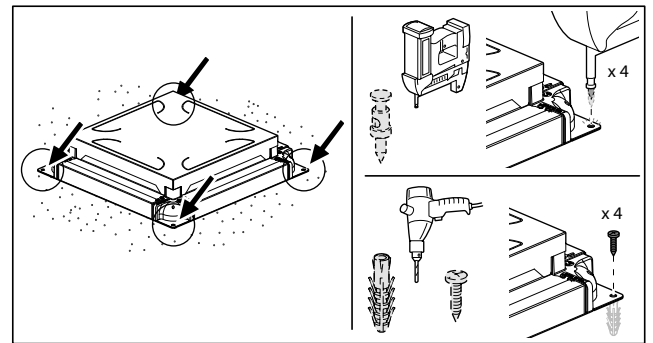
3. INSTALLATION (cont.)

■ 3.2 installation of back box cat. no 0 880 73

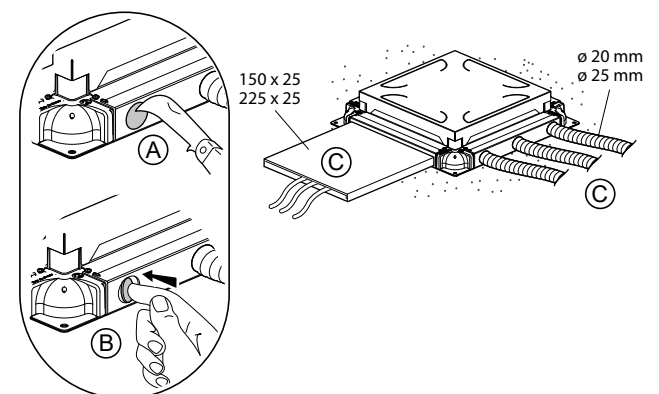
Dimensions



Fix the backbox on the slab



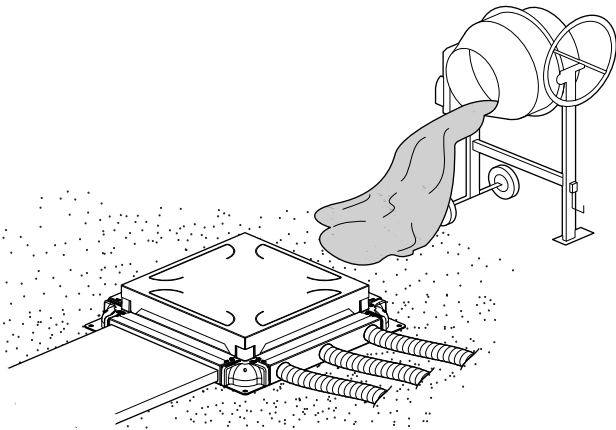
Put the trunking or flexible conduits (use a tool to fold), the side plates have to be cut out to fit the required ducting and/or conduits



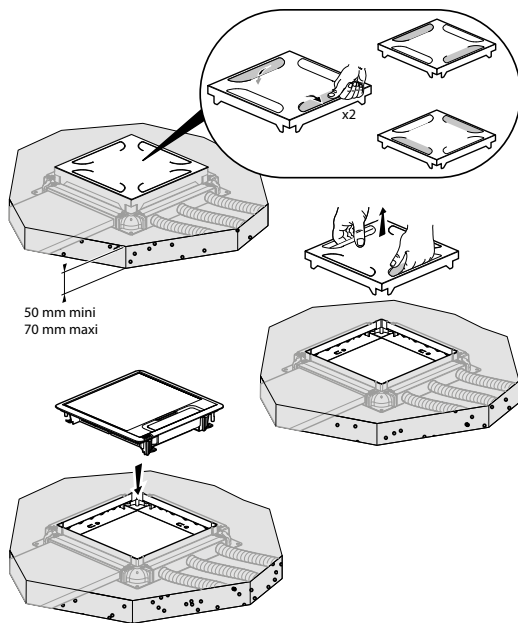
3. INSTALLATION (cont.)

■ 3.2 installation of back box cat. no 0 880 73 (cont.)

Pouring the concrete



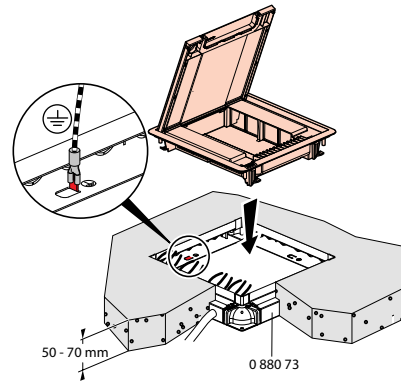
Push to fold and pull up the metal protection to install the floor boxes



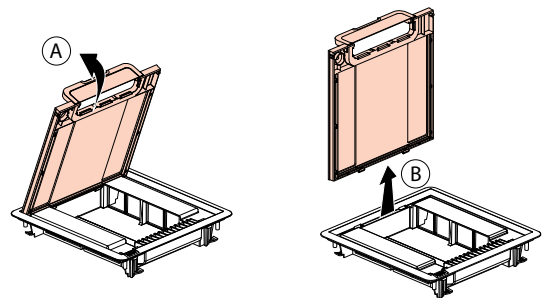
3. INSTALLATION (cont.)

■ 3.3 Installation of reduced height floor box cat no 0 880 70 in a screed floor

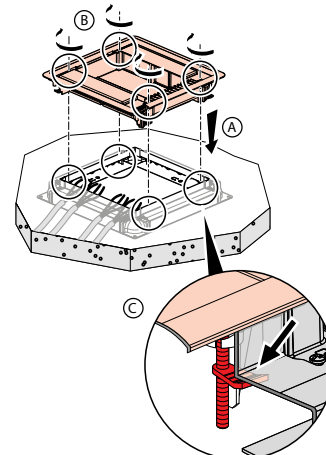
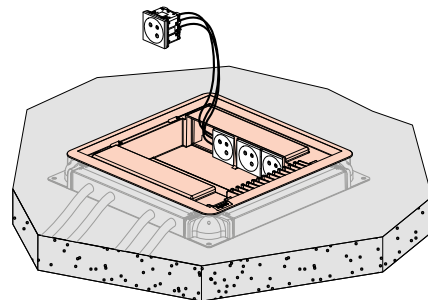
Minimum height required is 50mm (70mm max) for installation of the floor box in screed floor



Cover can be removed for an easy installation of socket



Sockets cabling



3. INSTALLATION (cont.)

■ 3.4 installation of finishing plate

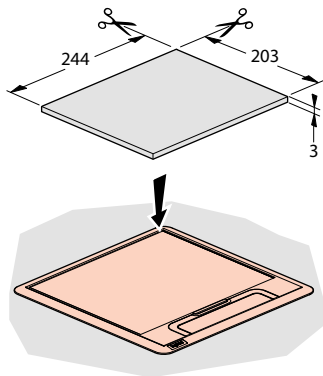
All covers are equipped with a metal plate allowing their rigidity.

Note : do not use tile on the cover

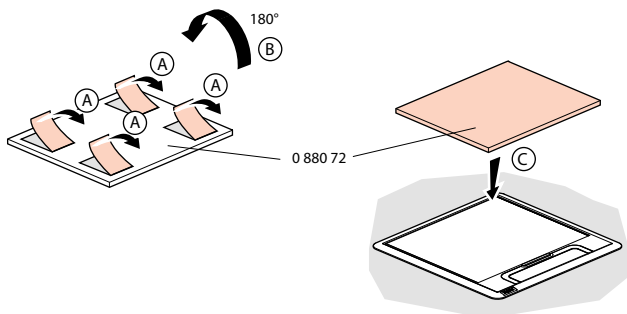
3.4.1 Installation with different coatings

Example with carpet or vinyl : (3mm max)

Cut the gauge to the dimensions below.



3.4.2 Installation of steel finishing plate cat. 0 880 72



4. WIRING DEVICES SUPPORTS

Wiring accessories supports can be equipped with :

- 2 modules Mosaic sockets



Be careful when positioning sockets in their support, earth pin should be on the side.

Don't positioning earth pin on top because in this way, angled plugs can't be used.



- RJ 45 sockets in 1 or 2 modules



5. TECHNICAL CHARACTERISTICS

7. Classification EN 60670-23

7.1	The nature of their material	7.1.3. Composite	
7.2	The method of installation a	7.2.1 Flush, semi-flush or embedded	7.2.1.3 Hollow walls, hollow ceiling, hollow floors or furniture
		7.2.3 Placement	7.2.3.1 Suitable for installation into concrete during the casting process (see 7.6)
		7.2.101 According to floor treatment	7.2.101.1 Floor boxes or enclosures intended to be installed in floor subjected to dry treatment
7.3	The type(s) of inlets (outlets) b	7.3.7 Without inlets. Inlet openings will be made during installation.	
7.4	The clamping means	7.4.2 With cable anchorage	
7.5	The minimum and maximum temperatures during installation	7.5.1 -5 °C to +60 °C	
7.6	The maximum temperature during the casting process	7.6.1 +60 °C	
7.7	Boxes and enclosures for hollow walls and the like according to 7.2.1.3 are classified as	7.7.3 According to the degree of protection of the part mounted in the hollow wall	7.7.3.1 IP20

Insulation resistance and electric strength - IEC 60670-1 and 23 - § 14:
- § 14: The rated insulation voltage declared: 500 V

Maximum vertical load Resistance

50 mm "reduced height" floor boxes range	Cat. No	small surface (1 cm ²)
plastic	0 880 70	500 N

6. MATERIAL CHARACTERISTICS

Floorboxes are in ABS, handle is plastic in PA 6.6 charge and cable exit in TPEE (élastomer)


Metal backboxes are in :

- Galvanised steel (Z275)
- ABS (for angles)

7. CLEANING

The visible parts of floor box should be cleaned only with a dry cloth

**8. SPARE PARTS**

Description	Spare parts cat. nos		for Cat. nos
Handle	981350		0 880 70
Cable outlet	981351	