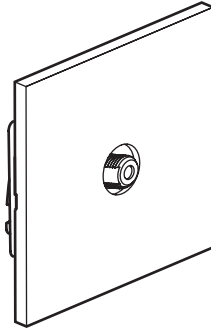


## Epure Style Single TV sockets

Cat. No(s): AR-67329 - AR-67429 - AR-67529 - AR-67629  
 AR-67729 - AR-67829 - AR-67929



### 1. USE

Single F type screw-in TV sockets. DTT and HD compatible.  
 Supplied with finishing plates.

### 2. RANGE

#### ELV sockets

AR-67429	● Brushed steel	Single TV socket
AR-67529	● Satin steel	
AR-67629	● Mirror-polished steel	
AR-67729	● Mirror-polished gold	
AR-67329	● Bronze	
AR-67829	● Matt black	
AR-67929	○ Satin white	

**Note:** Other finishes and configurations are provided, see technical data sheet F02217EN/01.

### 3. INSTALLATION

ART d'Arrould electrical wiring accessories are supplied with long fixing screws which can be cut at several points to adapt the screw length to the box flush-mounting depth in the wall.

If ART d'Arrould wiring accessories are being mounted in thick surfaces such as tiles, marble, wainscot panelling with flush-mounting boxes chased deep into the wall, the whole screw length can be used to fix the wiring accessory.

If ART d'Arrould wiring accessories are being installed in walls with non-projecting flush-mounting boxes (masonry walls, dry partitions), the screws which can be cut at several points to shorten the thread.

To protect the products, it is essential to install them: once all surface coatings are completely dry, in a dry, non-aggressive environment, indoors only.

It is recommended that you install the plates only after the wall coatings have been completely finished (paint, fabrics, etc.).

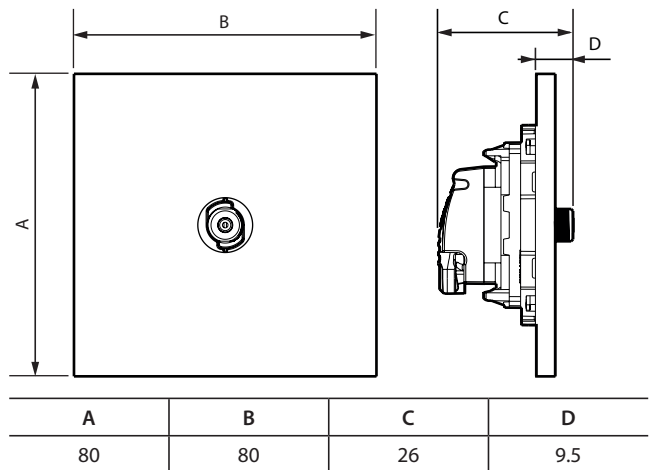
#### Dismantling:

The plates can be dismantled by inserting the tip of a screwdriver in a purpose-designed notch on the sides of the plate and using it as a lever to unclip it from the fixing points.

Once the plate has been lifted off the wall slightly, just slide your fingers between the plate and the wall to gently remove the plate.

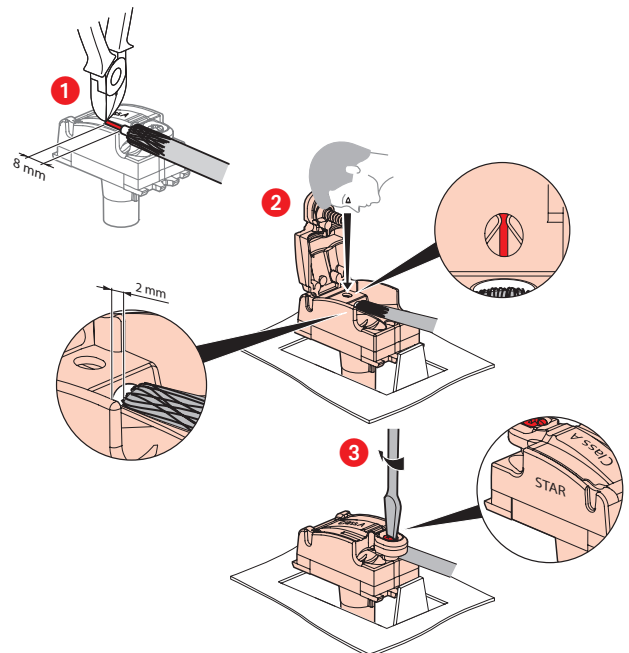
Take care not to pull too hard on the plate, to avoid breaking the fixing clips.

### 4. DIMENSIONS (mm)



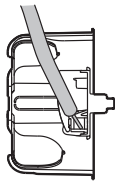
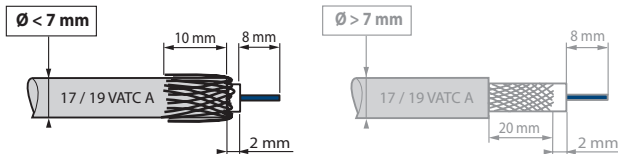
### 5. CONNECTION

#### 5.1 Connection



## 5. CONNECTION (continued)

### 5.2 Wiring instruction



The rear connection minimises deformation of the coaxial cable, preventing loss of impedance and deterioration in performance.

## 6. TECHNICAL CHARACTERISTICS

### 6.1 Mechanical characteristics

Impact test: IK 02

Penetration of solid bodies and liquids: IP 20

### 6.2 Material characteristics

• Plates:

Brushed steel: brushed + galvanised with steel colour + varnish

Satin steel: steel colour + varnish

Mirror-polished steel: polished + galvanised with steel colour

Mirror-polished gold: polished + galvanised with 24-carat gold

Bronze: brass + oxidation + patina and brushed + varnish

Matt black: brass + matt paint

Satin white: brass + satin-finish paint

• Mechanism box: Polycarbonate PBT

Self extinguishing: 650°C/30 s

### 6.3 Electrical characteristics

• Characteristic impedance: 75 Ohm

• Female "F" screw-type SAT connector Ø 9.4 mm

• Shielding efficiency: Class A (class A shielding is necessary to prevent interference caused by using new 3 and 4 G telephone signals, as these unwanted signals can generate on-screen pixellation or adversely affect the soundtrack).

• Frequency bands: TV/SAT: 0 - 2400 MHz

• Attenuation: 1 dB maximum

• Compatible with remote power feeding

### 6.4 Climate characteristics

Storage temperature: - 10°C to + 70°C

Operating temperature: - 5°C to + 35°C

## 7. CARE

Clean and dust using a soft, damp cloth (dampened with water) or wipes impregnated with a product containing less than 5% alcohol and anionic surfactant.

**Caution:** Always test before using other special cleaning products.

### Banned products

- Solvents, various essential oils, paint, or adhesive tape,

- Scouring powders (because are abrasive),

- Products containing bleach,

- Special products for stainless steel,

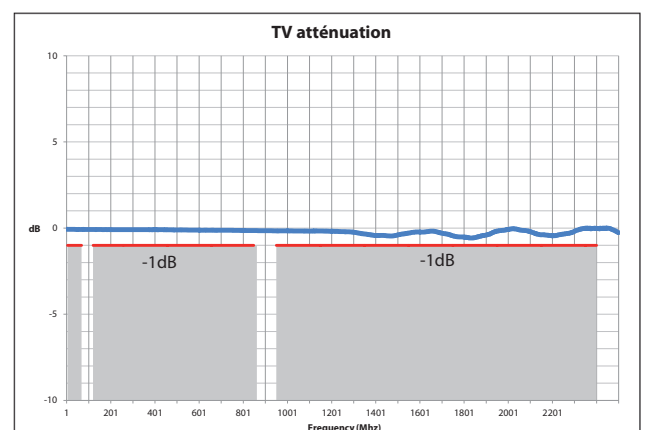
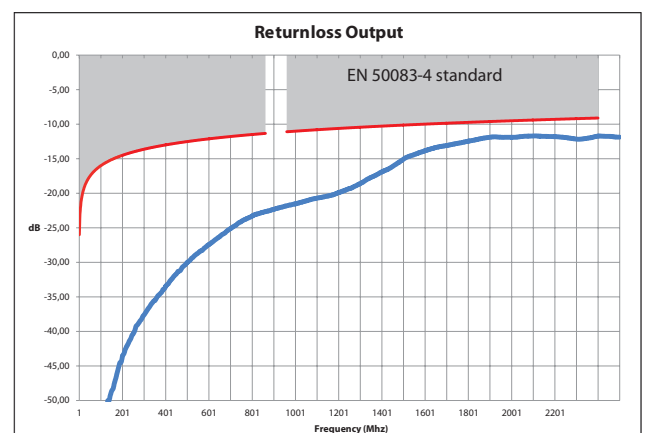
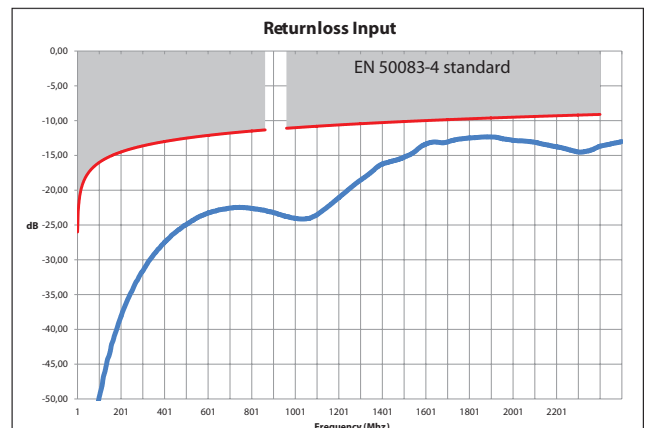
- Renovators (because they often contain abrasives and chemical agents),

- Splashes or fumes from floor, paint, or wood stripping products, etc.

### Caution:

Any mechanical attack or foreign object (screwdriver, etc.) striking the surface of the plate would damage the finish and therefore also the surface treatment.

## 8. PERFORMANCE



## 9. STANDARDS AND APPROVALS

Compliant with installation and manufacturing standards.  
See e.catalogue.