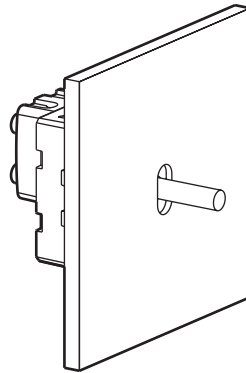


**Epure style**  
**Roller blind control - 3 positions**

Cat. No(s): AR-67321 - AR-67421 - AR-67521 - AR-67621  
 AR-67721 - AR-67821 - AR-67921



**1. USE**

3 switch positions «Up/Stop/Down» for direct drive motor.

**2. RANGE**

**Description**

|          |                         |                                     |
|----------|-------------------------|-------------------------------------|
| AR-67421 | ○ Brushed steel         | Roller blind control<br>3 positions |
| AR-67521 | ● Satin steel           |                                     |
| AR-67621 | ○ Mirror-polished steel |                                     |
| AR-67721 | ● Mirror-polished gold  |                                     |
| AR-67321 | ● Bronze                |                                     |
| AR-67821 | ● Matt black            |                                     |
| AR-67921 | ○ Satin white           |                                     |

**Note:** Others finishes and configurations are provided, see technical data sheet F02217EN/01.

**3. INSTALLATION**

ART d'Arnoult electrical wiring accessories are supplied with long fixing screws which can be cut at several points to adapt the screw length to the box flush-mounting depth in the wall.

If ART d'Arnoult wiring accessories are being mounted in thick surfaces such as tiles, marble, wainscot panelling with flush-mounting boxes chased deep into the wall, the whole screw length can be used to fix the wiring accessory.

If ART d'Arnoult wiring accessories are being installed in walls with non-projecting flush-mounting boxes (masonry walls, dry partitions), the screws which can be cut at several points to shorten the thread.

To protect the products, it is essential to install them: once all surface coatings are completely dry, in a dry, non-aggressive environment, indoors only.

It is recommended that you install the plates only after the wall coatings have been completely finished (paint, fabrics, etc.).

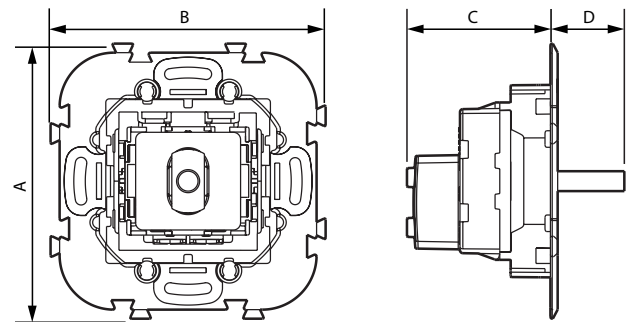
**Dismantling:**

The plates can be dismantled by inserting the tip of a screwdriver in a purpose-designed notch on the sides of the plate and using it as a lever to unclip it from the fixing points.

Once the plate has been lifted off the wall slightly, just slide your fingers between the plate and the wall to gently remove the plate.

Take care not to pull too hard on the plate, to avoid breaking the fixing clips.

**4. DIMENSIONS (mm)**



| A  | B  | C    | D    |
|----|----|------|------|
| 76 | 76 | 39.5 | 20.5 |

**5. CONNECTION**

Terminal type: with screws  
 Capacity: 2 x 2.5 mm<sup>2</sup>  
 Stripping length: 11 mm  
 Compatible flexible or rigid cables  
 Screwdriver: flat 4 mm

**6. TECHNICAL CHARACTERISTICS**

■ **6.1 Mechanical characteristics**

Impact test: IK 02  
 Ingress of solids/liquids: IP 21

■ **6.2 Material characteristics**

**Plates:**

- Decorative brass + varnish: Cat. Nos AR-67321 - AR-67421 - AR-67521
- Decorative brass: Cat. Nos AR-67621 - AR-67721
- Brass + paint: Cat. Nos AR-67821 - AR-67921

**Case:**

- Polycarbonate

**Self-extinguishing:**

850°C/30 s for insulating components holding live parts in place  
 650°C/30 s for other insulating components

## 6. TECHNICAL CHARACTERISTICS *(continued)*

### ■ 6.3 Electrical characteristics

Voltage: 250 V~

Frequency: 50/60 Hz

Current: 6 AX

### ■ 6.4 Climate characteristics

Storage temperature: -10°C to +70°C

Operating temperature: - 5°C to +35°C

## 7. CARE

Clean and dust using a soft, damp cloth (dampened with water) or wipes impregnated with a product containing less than 5% alcohol and anionic surfactant.

**Caution:** Always test before using other special cleaning products.

### Banned products

- Solvents, various essential oils, paint, or adhesive tape,
- Scouring powders (because are abrasive),
- Products containing bleach,
- Special products for stainless steel,
- Renovators (because they often contain abrasives and chemical agents),
- Splashes or fumes from floor, paint, or wood stripping products, etc.

### Caution:

Any mechanical attack or foreign object (screwdriver, etc.) striking the surface of the plate would damage the finish and therefore also the surface treatment.

## 8. STANDARDS AND APPROVALS

NF certified

Compliant with installation and manufacturing standards.

See e.catalogue.