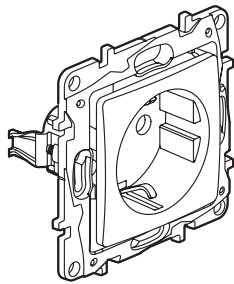
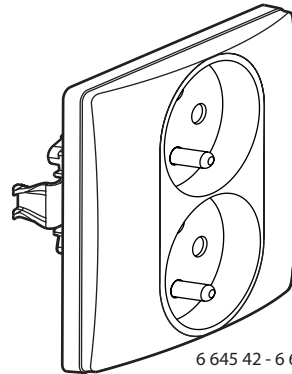


Niloé™ Socket outlets

Cat. No(s): 6 645 27/29/38/39/40/42/44 - 6 646 27/29/38/39/40/42/44
 6 647 33 - 6 648 33



6 645 29 - 6 646 29



6 645 42 - 6 646 42
 6 647 33 - 6 648 33

1. USE

Socket outlets 16 A - 250 VAC.
 Mechanisms supplied with cover plates and support frames (except 2 x 2 P+E compact, installation in 1-gang flush-mounting box, supplied complete with plate).
 To be fitted with one-gang or multi-gang plates.
 Flush or surface-mounting.
 Fixing with claws or with screws.

2. RANGE

2 P+E SOCKET OUTLETS - 16 A - 250 V~ - with claws

	Description	White	Ivory
	2 P+E socket outlets with shutters Franco-belgian	6 645 27	6 646 27
	2 P+E socket outlets without shutters Franco-belgian	6 645 40	6 646 40
	2 P+E socket outlets with shutters Schuko	6 645 29	6 646 29
	2 P+E socket outlets without shutters Schuko	6 645 39	6 646 39

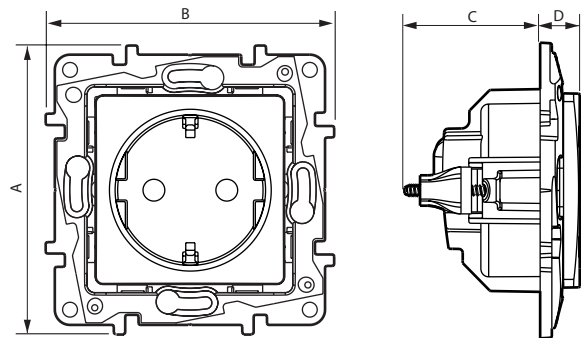
2 x 2 P+E SOCKET OUTLETS - 16 A - 250 V~ - with claws

	Description	White	Ivory
	2 x 2 P+E compact without shutters Installation in 1-gang flush-mounting box Schuko	6 645 44	6 646 44
	2 x 2 P+E compact without shutters Installation in 1-gang flush-mounting box Franco-belgian	6 645 42	6 646 42
	2 x 2 P+E compact without shutters Installation in 1-gang flush-mounting box Czech	6 647 33	6 648 33

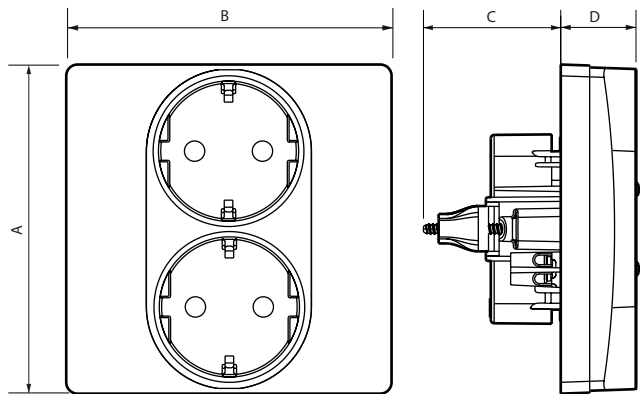
2 P SOCKET OUTLETS - 16 A - 250 V~ - with claws

	Description	White	Ivory
	2 P socket outlets without shutters	6 645 38	6 646 38

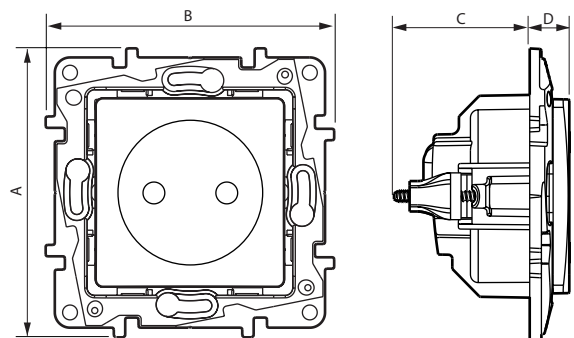
3. OVERALL DIMENSIONS (mm)



6 645 27/29/39/40 - 6 646 27/29/39/40



6 645 42/44 - 6 646 42/44 - 6 647 33 - 6 648 33



6 645 38 - 6 646 38

3. DIMENSIONS (mm) (continued)

References	A	B	C	D
6 645 27/29/39/40 6 646 27/29/39/40	76	76	35	10
6 645 42/44 - 6 646 42/ 44 6 647 33 - 6 648 33	94	86	36	20
6 645 38 - 6 646 38	76	76	35	10

4. CONNECTION

Screw terminal
Terminal capacity: 2 x 2.5 mm²
Tightening torque: 0.8 Nm
Stripping length: 10 mm
Screwdriver: Posidrive 2, Philips 2, flat 4 mm.

5. TECHNICAL CHARACTERISTICS

■ 5.1 Index of protection

Protection against solid bodies and liquids: IP20
Impact test: IK 04

■ 5.2 Material characteristics

Polygloss appearance

5.2.1 Mechanisms

Material: - Plate ABS (2 x 2 P+E compact)
- Socket outlets cover: PC
- UV resistant
- Halogen free

5.2.2 Support frame

Material: - PC
- Colour: grey RAL 737

Self-extinguishing:

+ 850° C / 30 s for insulating parts holding live parts in place
+ 650° C / 30 s for other parts made of insulating materials.

■ 5.3 Electrical characteristics

Voltage: 250 VAC
Current: 16 A

■ 5.4 Climatic characteristics

Storage and usage temperature: - 5° C to + 35° C

6. MAINTENANCE

Surface cleaning with a cloth.

Do not use: acetone, tar remover, trichloroethylene.

Maintenance with the following products: Hexane (EN 60669-1), Methylated spirit, Soapy water, Diluted ammonia, Bleach diluted to 10%, Window-cleaning products.

Caution: A preliminary test should be carried out if other specific cleaning products are to be used.

7. STANDARDS AND APPROVALS

Compliant with installation and manufacturing standards.