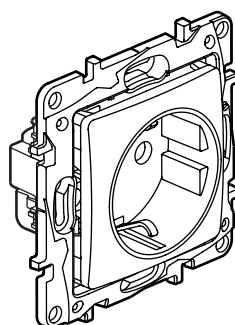


Niloé™
German standard socket

Cat. No(s): 6 647 30



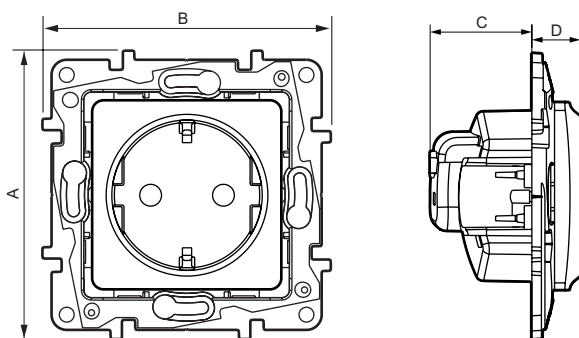
1. USE

German standard 16 A - 250 VAC socket outlet with safety shutter.

2. RANGE

Description	White
2 P+E socket 16 A - German standard	6 647 30

3. OVERALL DIMENSIONS



A	B	C	D
75.8	75.8	26.9	13

4. CONNECTION

Screw terminals
 Terminal capacity: 2 x 2.5 mm²
 Tightening torque: 0.8 Nm
 Stripping length: 12 mm
 Screwdriver: Posidrive 1, Phillips 1.4 mm flat screwdriver

5. TECHNICAL CHARACTERISTICS

- **5.1 Mechanical characteristics**
 IP 21D
 IK 04
- **5.2 Material characteristics**
 Polygloss appearance
 Material:
 - Plate: Polycarbonate
 - Socket cover plate: Polycarbonate
 - Halogen-free
 Self-extinguishing:
 + 850°C/30 s for insulating parts holding live parts in place
 + 650°C/30 s for other parts made of insulating materials
 UV resistant.
- **5.3 Electrical characteristics**
 Voltage: 250 VAC
 Current: 16 A
- **5.4 Climatic characteristics**
 Storage and use temperature: - 5°C to + 35°C

6. MAINTENANCE

Clean the surface with a cloth.
 Do not use acetone, tar-removing cleaning agents or trichloroethylene.

Caution: An initial test is required for the use of other special maintenance products.

8. STANDARDS AND APPROVALS

Compliance with standards of installation and manufacturing.
 See e.catalogue.