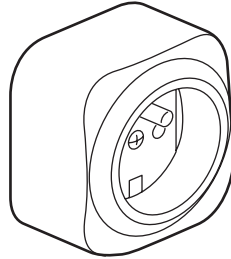


**Forix™ - IP 2X**  
**2 P+E French socket**

Cat. No(s): 7 824 17/47



**1. USE**

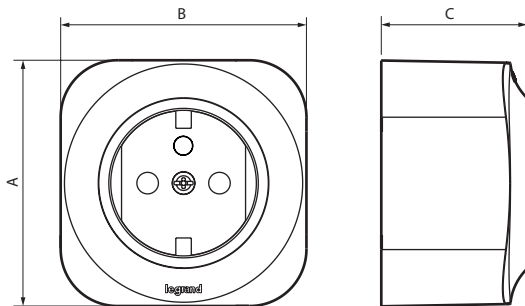
General 16 A socket outlet with shutters.

**2. RANGE**

| Finishes |          | Designation                |
|----------|----------|----------------------------|
| White    | Ivory    |                            |
| 7 824 17 | 7 824 47 | 2 P+E socket with shutters |

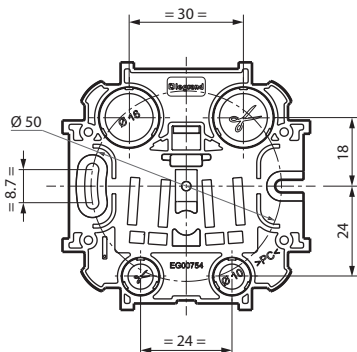
**3. OVERALL DIMENSIONS**

■ 3.1 Socket



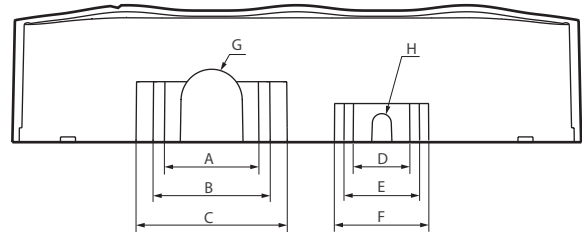
| Cat. No.    | A  | B  | C    |
|-------------|----|----|------|
| 7 824 17/47 | 65 | 65 | 38.5 |

■ 3.2 Base:



**4. CONNECTION**

Information for pre-cut:



| Cat. No.    | Pre-cut sides (mm) |         |         |         |
|-------------|--------------------|---------|---------|---------|
|             | A                  | B       | C       | D       |
| 7 824 17/47 | 25 x 16            | 31 x 16 | 40 x 16 | 15 x 10 |
|             | 2                  | -       | -       | 2       |
|             | E                  | F       | G       | H       |
|             | 20 x 10            | 25 x 10 | Ø 16    | Ø 5     |
|             | 2                  | -       | 2       | 2       |

Terminal type: with screws  
 Terminal capacity up to: 2 x 2.5 mm<sup>2</sup>  
 Recommended screwdriver size: pozidrive No 2  
 Recommended tightening torque: 0.8 Nm

**5. TECHNICAL CHARACTERISTICS**

■ 5.1 Mechanical characteristics

Protection against liquids: IP 21  
 Impact tests: IK 04

■ 5.2 Material characteristics

Cover: PP  
 Mechanism: PC

■ 5.3 Electrical characteristics

Voltage: 250 VAC  
 Current: 16 A

■ 5.4 Climatic characteristics

Storage and use temperature: - 25° C to + 60° C

## 6. CLEANING

Surface cleaning with a cloth.

Do not use: acetone, tar remover, trichloroethylene.

Resistance to the following agents: Hexane (EN 60669-1), Methylated spirits, Soapy water, Diluted ammonia, Diluted pure bleached 10%, Glass cleaning substance, Pre-impregnated wipes.

**Caution:** A preliminary test should be carried out if other specific cleaning products are to be used.