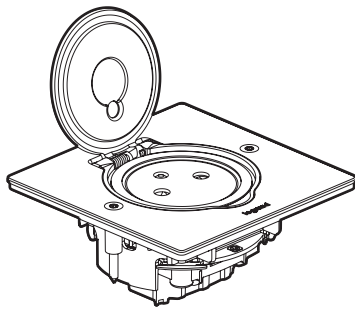
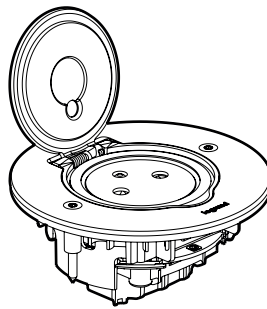


Equipped floor sockets

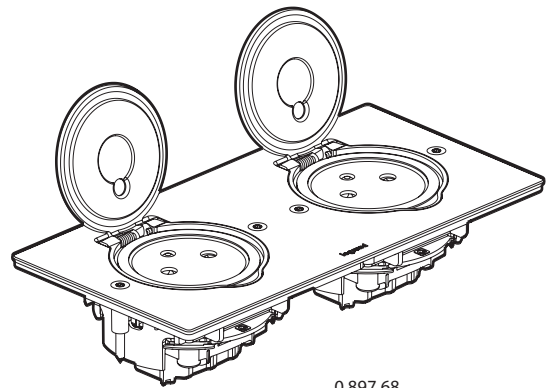
Cat. No(s): 0 897 60/61/68/70/71



0 897 60



0 897 70



0 897 68

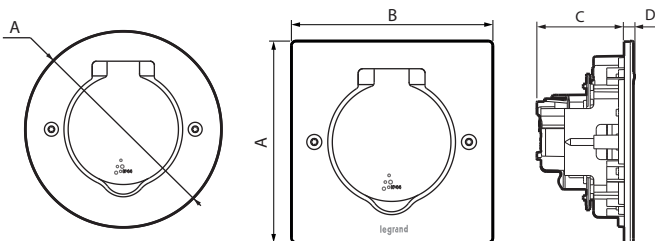
1. USE

Floor sockets for residential and commercial applications.
 Use: floor, workplan, wall, indoors or outdoors protected (veranda, covered terrace).

2. RANGE

Description	Function	Cat. Nos
Square floor socket	2 P+E surface socket outlet - French standard	0 897 60
Square floor socket	RJ 45 Cat. 6 FTP socket	0 897 61
Round floor socket	2 P+E surface socket outlet - French standard	0 897 70
Round floor socket	RJ 45 Cat. 6 FTP socket	0 897 71
Rectangular double floor socket	2 x 2 P+E surface socket outlet - French standard	0 897 68

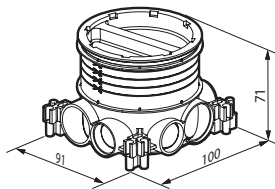
3. DIMENSIONS (mm)



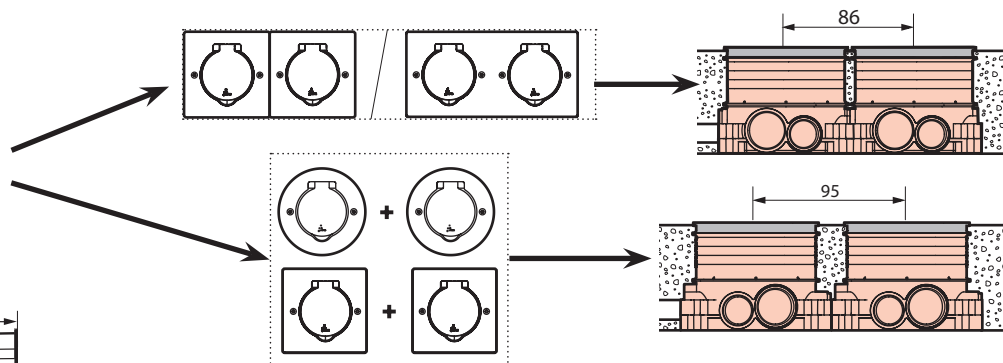
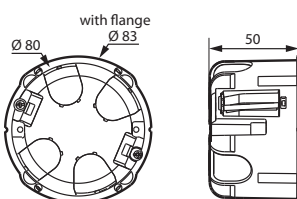
Cat. Nos	A	B	C	D
0 897 60	86	86	40	2
0 897 70	90	-	40	2
0 89768	86	172	40	2
0 897 61	86	86	42	2
0 897 71	90	-	42	2

4. OPERATION

Floor box 0 819 88



Batibox box 0 801 88



5. CONNECTION

2 P+E surface socket outlets French standard:

Automatic terminals
Terminal capacity: 2 x 2.5 mm²

RJ 45 Cat 6 FTP socket:

See technical document

6. TECHNICAL CHARACTERISTICS

■ 6.1 Mechanical characteristics

Protection against solid/bodies and liquids: IP 44 } cover closed
Protection against impacts: IK 08
Maximum admissible load: 100 kg/cm²
Cover can open 180°

■ 6.2 Material characteristics

Finishes: Brushed stainless steel, brushed gold, brushed brown steel
Material: Zamak + surface treatment
Fixing screws: stainless steel Torx T10

Self-extinguishing:

850°C/30 s for insulating components holding live parts in place
650°C/30 s for other insulating components.

■ 6.3 Electrical characteristics

Socket outlet:

Voltage: 250 V~
Current: 16 A

RJ 45 socket:

Breakdown voltage ≥ 1000 V
Contact resistance ≤ 20 mΩ
Insulation resistance ≥ 500 mΩ under 1000 V continuous

■ 6.4 Climate characteristics

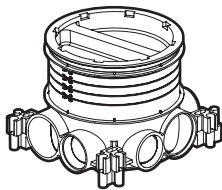
Storage temperature: -10°C to +70°C
Usage temperature: -5°C to +35°C

7. CLEANING

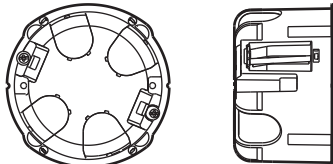
Do not use detergents.

8. ACCESSOIRES

Cat. No 0 819 88: Single multimaterial floor box for concrete floors and engineered floors, depth of 50 to 80 mm



Cat. No 0 801 88: Multimaterial Batibox box Ø 80 mm



Cat. No 0 897 19: Indicator light for socket floor - 230 V - 1mA - White

Cat. No 0 897 09: Long screws (x 10)

Cat. No 0 885 08: Hole saw Ø 79 mm