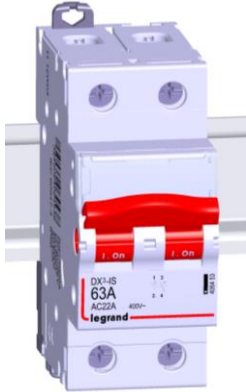


# Isolating switch DX<sup>3</sup>-IS 1 module per pole, 63A

Cat N°(s) : 4 064 53



**CONTENTS**

Page

1. Description, use .....	1
2. Range .....	1
3. Overall dimensions .....	1
4. Preparation - Connection .....	1
5. General Characteristics.....	2
6. Compliances and approvals.....	3
7. Auxiliaries and accessories.....	4

**1. DESCRIPTION - USE**

Isolating switch ensuring the breaking and the isolation of electrical circuits.

Fully visible breaking indication.

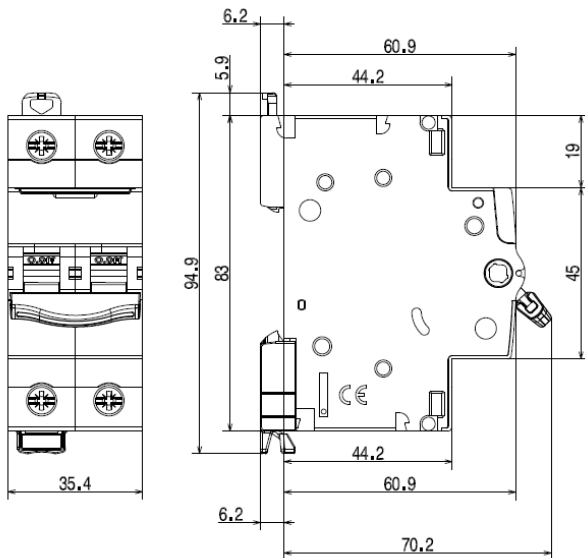
**2. RANGE**

**Polarity and symbols :**

2-poles 400V~ 63A



**3. OVERALL DIMENSIONS**



**4. PREPARATION - CONNECTION**

**Mounting :**

. On symmetrical EN 60.715 rail or DIN 35 rail.

**Operating positions:**

. Vertical      Horizontal      Upside down      On the side



**4. PREPARATION - CONNECTION (continued)**

**Power supply:**

. Either from the top or the bottom.

**Module maintenance :**

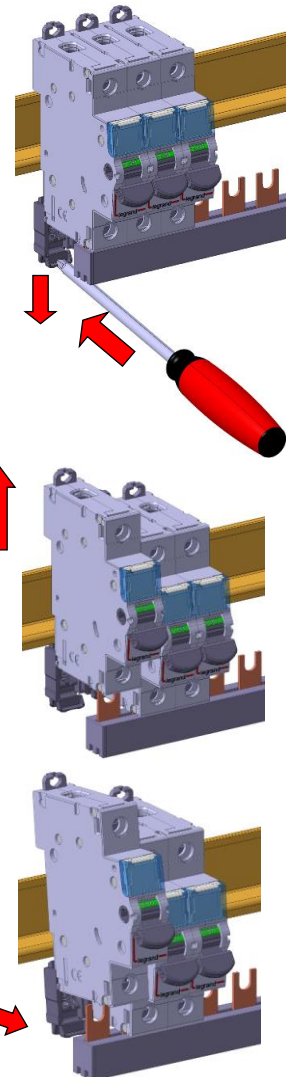
. Isolating switches may be replaced in the middle of a row supplied with busbars without disconnecting the other products.

Unscrew the terminals completely

Put the clamp in the unlocking position with a screwdriver

Pull the device upward

Pull the device downward in order to release it completely from the prongs of the busbar. Then pull the device forward.



# Isolating switch DX<sup>3</sup>-IS

Cat N°(s) : 4 064 53

## 1 module per pole, 63A

### 4. PREPARATION - CONNECTION *(continued)*

#### Connection:

- . Terminals protected against direct contact IP20, wired device.
- . Cage terminals, with release and captive screws.
- . Terminals fitted with shutters preventing a cable being placed under the terminal, with the terminal partly open or closed.
- . Alignment and spacing of the terminals permitting connection with the other products in the range via prong supply busbars.

- . Terminal depth : 14 mm.
- . Screw head: mixed, slotted and Pozidriv no. 2.
- . Tightening torques:
  - Min: 2 Nm.
  - Recommended: 3 Nm.
  - Max: 3.5 Nm.

#### Conductor type:

- . Copper cable or supply busbar.
- . Cable cross-section:

	Without ferrule	With ferrule
Rigid cable	1 conductor 1.5 to 35 mm <sup>2</sup> 2 conductors 1.5 to 16 mm <sup>2</sup>	
Flexible cable	1 conductor 1.5 to 25 mm <sup>2</sup> 2 conductors 1.5 to 10 mm <sup>2</sup>	1 conductor 1.5 to 25 mm <sup>2</sup>

#### Recommended tools:

- . For the terminals:
  - Screwdriver with 5.5 to 6.5 mm blade.
  - Pozidriv no. 2 screwdriver.
- . For attaching or removing the DIN rail:
  - Screwdriver with 5.5 to 6 mm blade.
  - Pozidriv no. 2 screwdriver.

#### Manual actuation of the Isolating switch:

- . Ergonomic 2-position handle:
  - "O-OFF": Device open.
  - "I-ON": Device closed.

#### Contact status display:

- . By marking of the handle:
  - "O-OFF" in white on a green background = contacts open.
  - "I-ON" in white on a red background = contacts closed.

#### Locking:

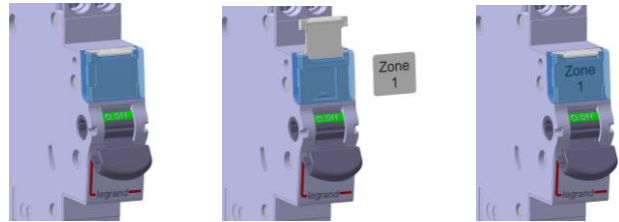
- . Padlocks possible in the open and closed positions with padlock support (Cat. No. 4 063 03) and Ø5 mm padlock (Cat. N°. 4 063 13) or Ø6 mm padlock (Cat. N°. 0 227 97).

#### Sealing:

- . Possible in the open or closed positions.

#### Labelling:

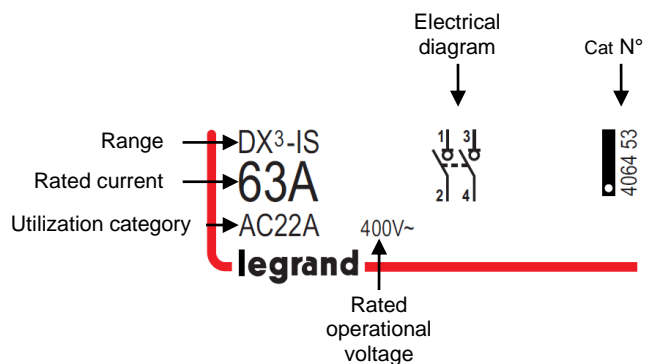
- . Circuit identification by way of a label inserted in the label holder situated on the front of the product.



### 5. GENERAL CHARACTERISTICS

#### Marking on the front side:

- . By permanent ink pad printing.



#### Marking on the upper panel:

- . By permanent ink pad printing

Approvals → BS 60669-2-4

#### Rated operational voltage :

- . U<sub>e</sub> = 400 V ~

#### Rated frequency :

- . 50/60 Hz with standard tolerances.

#### Breaking capacity :

- . Rated conditional short-circuit current in combination: see coordination table on page 4.

- . Maximum capacity switching on short-circuit : 4500 A

Following IEC/EN 60947-3 :

- . I<sub>cw</sub> = 2000 A

- . I<sub>cm</sub> = 3000 A

Following IEC/EN 60669-2-4 :

- . I<sub>nc</sub> = 4500 A with fuse of same rated current.

#### Insulation voltage:

- . U<sub>i</sub> = 500 V

#### Rated impulse withstand voltage:

- . U<sub>imp</sub> = 6 kV

# Isolating switch DX<sup>3</sup>-IS

Cat N°(s) : 4 064 53

## 1 module per pole, 63A

### 5. GENERAL CHARACTERISTICS (continued)

#### Direct current utilization :

. 48V (110V with 2 poles serial cabling).

#### Utilization category:

. AC22 : Mixed load.  
. A : Frequent operations.  
. AC23 : Inductive load. Complies with IEC/EN 60947-3. Characteristic not marked on product

#### Degree of pollution:

. 3 in accordance with standard IEC 60664-1.

#### Power dissipated per pole :

1.67W

#### Degree or class of protection:

. Terminals protected against direct contact, Class of protection against solid objects and liquids (wired device): IP20 in accordance with standards IEC 529 – EN 60529 and NF 20-010.  
. Class II in relation to metallic conductive parts.  
. Class of protection against mechanical impacts IK04 in accordance with standard EN 62262.

#### Plastic materials:

. Polyamide, PBT and PC

#### Enclosure heat and fire resistance:

. Resistance to glow wire tests at 960°C, in accordance with standard IEC 60695-2-10 & 60695-2-11.  
. Classification V2, in accordance with standard UL94.

#### Higher heating potential:

. The heat potential is assessed at 2.48MJ

#### Closing and opening effort via the handle:

. To swith off: 13N  
. To swith on: 34N

#### Mechanical endurance:

. Compliant with standard IEC/EN 60947-3 & IEC/EN 60669-2-4  
. 200 000 operations with no load.

#### Electrical endurance:

. Compliant with standard IEC/EN 60947-3 & IEC/EN 60669-2-4  
. 20 000 operations with load AC22A (in accordance with IEC/EN 60947-3).  
. 1 500 operations with load AC23A (in accordance with IEC/EN 60947-3).

#### Vibrations and tremors resistance :

. Compliant with appendix Q category F of standard IEC/EN 60947-1.

#### Ambient temperatures:

. Operation: from - 25 °C to + 70 °C.  
. Storage: from - 40 °C to + 70 °C.

### 5. GENERAL CHARACTERISTICS (continued)

#### Short-circuit behavior in coordination with upstream protection:

. Tests performed according to the protocol of IEC/EN 60669-2-4 : The device remains fully functional and meets the switch tests after suffering two short circuit established in coordination with the DPCC of the following table.

- The first short circuit being set at an angle of 45 °.
- The second being provided by the switching on of the isolator switch on the short-circuit.

Rated voltage 400V~		Inc (kA)
Upstream protection		63A
MCB	DX <sup>3</sup> 4500A/6kA	6
	DX <sup>3</sup> 6000A/10kA	10
	DX <sup>3</sup> 10000A/16kA	10
	DX <sup>3</sup> 25kA	10
	DX <sup>3</sup> 36kA	10
	DX <sup>3</sup> 50kA	10
	DPX <sup>3</sup> 160A 16kA	10
	DPX <sup>3</sup> 160A 25kA	10
	DPX <sup>3</sup> 160A 36kA	10
	DPX <sup>3</sup> 160A 50kA	10
	DPX <sup>3</sup> 250A 25kA	10
DPX <sup>3</sup> 250A 36kA	10	
DPX <sup>3</sup> 250A 70kA	10	
Fuse gG / aM	63A	16
	80A	16
	100A	16
	125A	16

#### Packaged volume:

. Packaging: per 5  
. Volume: 1.6 dm<sup>3</sup>

#### Average unit weight:

162g

### 6. COMPLIANCE AND APPROVALS

#### In accordance with standards:

. IEC/EN 60947-3.  
. IEC/EN 60669-2-4.

#### Usage in special conditions:

. Compliant with appendix Q category F of standard IEC/EN 60947-1.

## 1 module per pole, 63A

---

### 6. COMPLIANCE AND APPROVALS *(continued)*

#### Respect for the environment – Compliance with European Union Directives:

- . Compliance with Directive 2002/95/EC of 27/01/03 known as "RoHS" which provides for a restriction on the use of dangerous substances such as lead, mercury, cadmium, hexavalent chromium and polybrominated biphenyl (PBB) and polybrominated diphenyl ether (PBDE) brominated flame retardants from 1<sup>st</sup> July 2006.
- . Compliance with the Directive 91/338/EEC of 18/06/91 and decree 94-647 of 27/07/04.

#### Plastic materials:

- . Halogen free plastic materials.
- . Labelling of parts compliant with ISO 11469 and ISO 1043.

#### Packaging:

- . Design and manufacture of packaging compliant with decree 98-638 of 20/07/98 and Directive 94/62/EC.

#### Approvals obtained:

- . See list of approvals available.

### 7. AUXILIARIES AND ACCESSORIES

#### Wiring accessories:

- . Fork-type supply busbars (Cat N°: 4 049 11, 4 049 12, 4 049 14, 4 049 17, 4 049 18, 4 049 20).
- . Sealable screwcover (Cat N°: 4 063 04).
- . Terminal for aluminium conductor gauge 50 mm<sup>2</sup> max for DX<sup>3</sup>-IS ≤ 63A (Cat N°: 4 063 10).
- . Insulating shield (Cat N°: 4 063 05).

#### Signalling auxiliaries (No busbar):

- . Auxiliary contact (0.5 module, Cat N°: 4 062 58).
- . Double Auxiliary contact (1 module, Cat N°: 4 062 66).

#### Installation software:

- . XL PRO<sup>3</sup>.