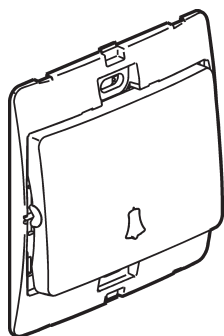


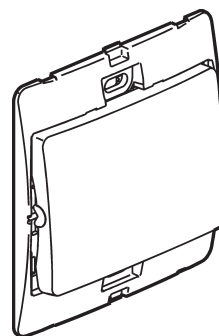
# Mallia™

## 10 A Push-buttons dressable colour

Cat. No(s): 2 830 40/41 - 2 832 40/41 - 2 834 40/41



2 830 40 - 2 832 40 - 2 834 40



2 830 41 - 2 832 41 - 2 834 41

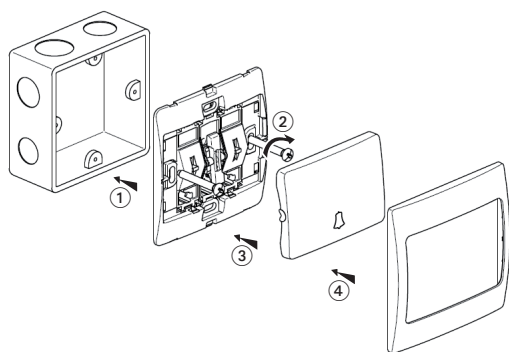
### 1. USE

General lighting control mechanisms with or without marking elements (indicator, label holder).

### 2. RANGE

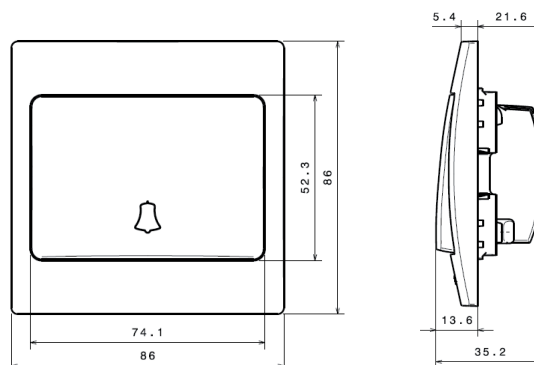
	Designation	Finishes			Connection method	Weight (g)	Characteristics
		Silver	Pearl	Dark Silver			
	1-gang push-button with bell symbol	2 830 40	2 832 40	2 834 40	with screws	44	10 A - 250 VAC
	1-gang push-button no marking	2 830 41	2 832 41	2 834 41	with screws	44	10 A - 250 VAC

### 4. PREPARATION



Profile size: 86 x 86  
 Distance of installation hole: 60.3 mm

### 4. OVERALL DIMENSIONS



Profile size: 86 x 86  
 Distance of installation hole: 60.3 mm

## 10 A Push-buttons dressable colour

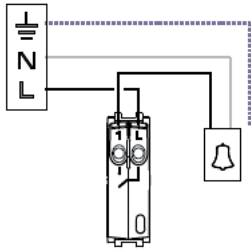
### 5. CONNECTION

#### 5.1 Terminals

Terminal capacity: 4 x 1 mm<sup>2</sup>  
 4 x 1.5 mm<sup>2</sup>  
 2 x 2.5 mm<sup>2</sup>  
 1 x 4 mm<sup>2</sup>

Recommended screwdriver size: 4 mm flat blade  
 Recommended terminal tightening torque: 0.5 Nm  
 Stripping: 12 mm

#### 5.2 Circuit diagram



### 6. OPERATION

Switch mechanism (handling force 2.6 to 3.5 N).

### 7. TECHNICAL CHARACTERISTICS

#### 7.1 Mechanical characteristics

Impact tests: IK04  
 Protection against liquids: IP41

#### 7.2 Material characteristics

Rocker: Polycarbonate  
 Support: Polycarbonate  
 Base: Polypropylene

#### 7.3 Electrical characteristics

Self-extinguishing: 650°C / 30 s  
 Voltage: 250 VAC  
 Current: 10 A

#### 7.4 Climatic characteristics

Storage temperatures: - 10°C to + 70°C  
 Operating temperatures: - 5°C to + 50°C

### 8. CLEANING

Surface cleaning with a soft, slightly damp cloth.  
 Do not use: acetone, tar remover, trichloroethylene.

Resistance to the following cleaning agents:

Hexane (EN 60669-1), Methylated spirits, Soapy water, Diluted ammonia, Diluted pure bleach 10 %, Glass cleaning substance, Pre-impregnated wipes

**Caution:** A preliminary test should be carried out if other specific cleaning products are to be used.

### 9. ACCESSORIES

Transparent rocker with label holders

2 818 95 1 gang

