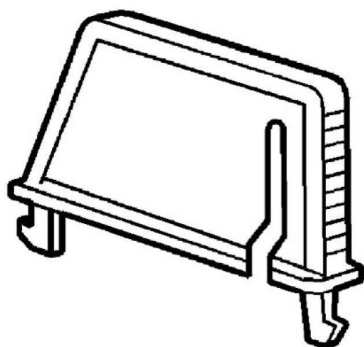


Insulating shields

Cat N°: 4 063 05



CONTENTS	PAGE
1. Description, Use	1
2. Range	1
3. Overall dimensions	1
4. Preparation	2
5. General characteristics	2
6. Compliance and approvals.....	2

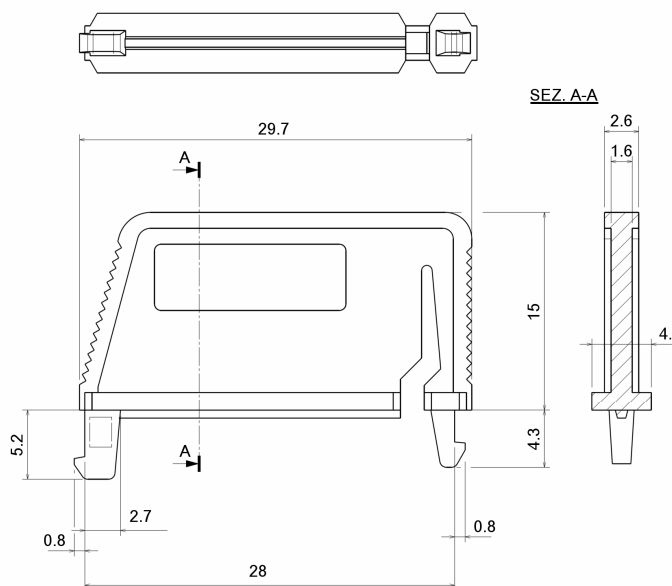
1. DESCRIPTION - USE

- Insulating shield for 1 module per pole circuit breaker (MCB)
- Allows the separation between the terminals of a MCB.

2. RANGE

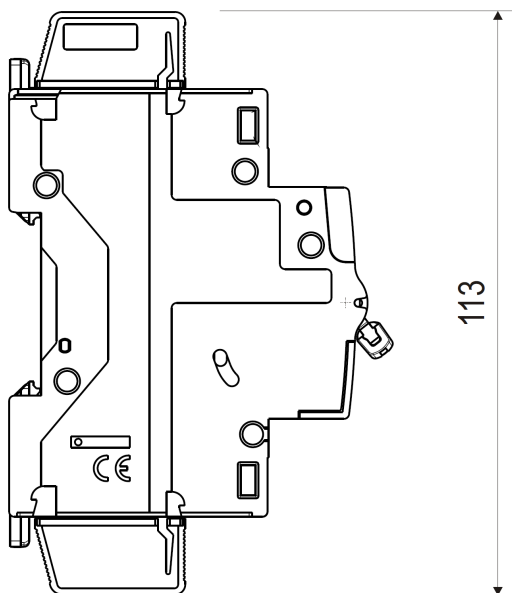
- Cat N° 4 063 12 : six parts.

3. OVERALL DIMENSIONS



3. OVERALL DIMENSIONS (continued)

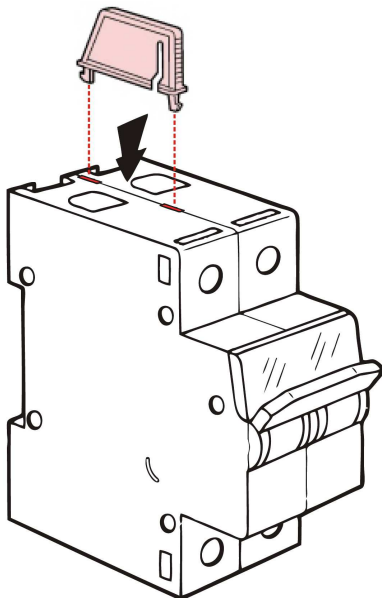
- Height of the circuit breaker + insulating shields: 113 mm



4. PREPARATION

Assembling:

- . Directly on the circuit breaker, before or after wiring the M.C.B.



Tools required:

- . No tools needed.

5. GENERAL CHARACTERISTICS

Ambient temperatures:

- . Operation: from - 25°C to + 70°C
- . Storage: from - 40°C to + 70°C

Plastic Materials:

- . Polycarbonate with 10% glass fibre
- . Characteristics of this material: self extinguishing, heat and fire resistant according to EN 60898-1, glow wire test at 960°C

Sinusoidal vibration resistance in accordance with IEC 60068.2.6:

- . Axis : x, y, z.
- . Frequency range: 5÷100 Hz ; duration 90 min.
- . Displacement (5÷13,2 Hz) : 1mm
- . Acceleration (13,2÷100 Hz) : 0,7g (g=9,81 m/s²).

Average weight per piece:

- . 0,0015 kg.

Packed Volume:

- . 0,21dm³ for a box of 6 parts

6. COMPLIANCE AND APPROVALS

In accordance with standards:

- . NF / EN / IEC 61009-2.
- . NF / EN / IEC 60947-2
- . European Community Guidelines: 73/23/CEE + 93/68/CEE