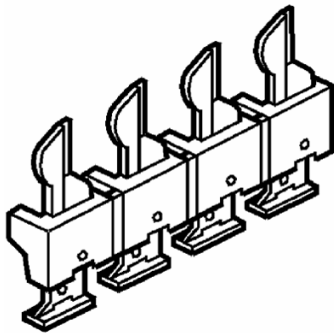


## Sealable screw cover for 1 module per pole M.C.B.

Cat N°: 4 063 04



CONTENTS	PAGE
1. Description, Use .....	1
2. Range .....	1
3. Overall dimensions .....	1
4. Preparation .....	2
5. General characteristics .....	2
6. Compliance and approvals.....	2

### 1. DESCRIPTION - USE

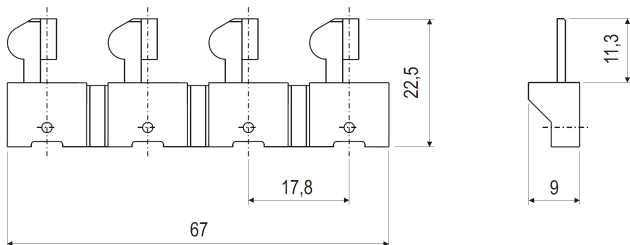
- . Sealable screw cover for 1 module per pole circuit breaker (MCB)
- . To hide the screw heads of the associated product terminals (protection index against solid and liquid bodies IP40)
- . Possibility to seal these screw covers to avoid removal.

### 2. PRODUCT RANGE

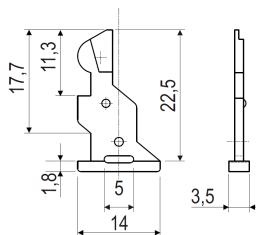
- . Cat. No. 4 063 12: Delivered by a patch of four elements and four locking pins (One piece = four elements for four terminals)

### 3. OVERALL DIMENSIONS

Screw hider:

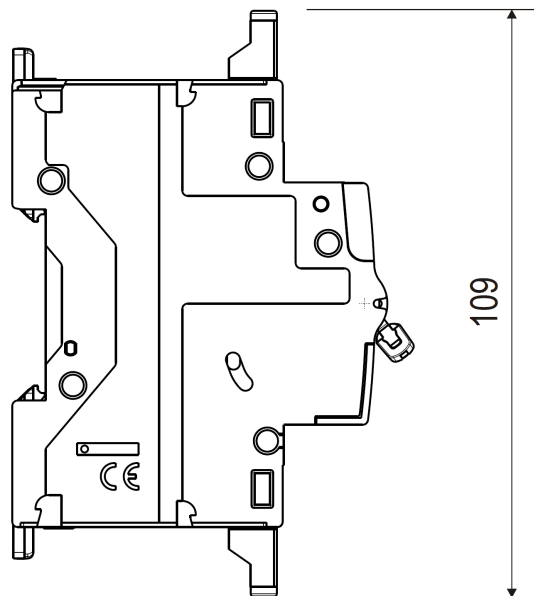


Locking Pin:



### 3. OVERALL DIMENSIONS (continued)

- . Height of the whole circuit breaker + screw cover : 109 mm



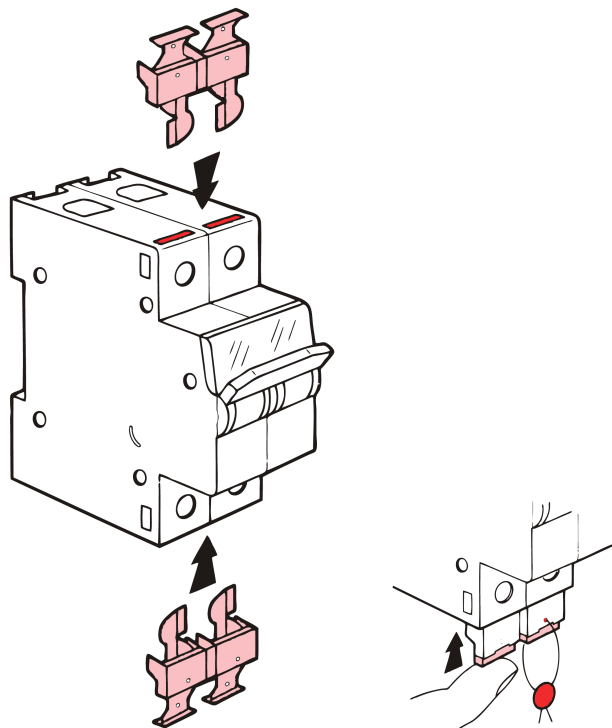
# Sealable screw cover for 1 module per pole M.C.B.

Cat N°: 4 063 04

## 4. PREPARATION

### Assembling:

- . Directly on the terminals upstream and downstream of the circuit breaker. once the device is wired.



### Tools required:

- . No tools for installation.
- . Flat screwdriver 4 mm to retract the locking pins of the screw cover.

## 5. GENERAL CHARACTERISTICS

### Ambient temperatures:

- . Operation: from - 25°C to + 70°C
- . Storage: from - 40°C to + 70°C

### Plastic Materials:

- . Polycarbonate with 10% glass fibre
- . Characteristics of this material: self extinguishing, heat and fire resistant according to EN 60898-1, glow wire test at 960°C

### Degree or class of protection:

- . Protection index of terminals against solid and liquid bodies: IP 20 (in according with standards IEC 529, EN 60529 and NF C 20-010).
- . Protection index against mechanical shocks: IK 02 (in according with standards EN 50102 and NF C 20-015).

### Sinusoidal vibration resistance in accordance with IEC 60068.2.6:

- . Axis : x, y, z.
- . Frequency range: 5÷100 Hz ; duration 90 min.
- . Displacement (5÷13,2 Hz) : 1mm
- . Acceleration (13,2÷100 Hz) : 0,7g (g=9,81 m/s<sup>2</sup>).

### Average weight for a patch of 4 screw covers:

- . 0,0058 kg.

### Packed Volume:

- . 0,21dm<sup>3</sup> for a box of two 4 screw cover pieces

## 6. COMPLIANCE AND APPROVALS

### In accordance with standards:

- . NF / EN / IEC 61009-2.
- . NF / EN / IEC 60947-2
- . European Community Guidelines: 73/23/CEE + 93/68/CEE