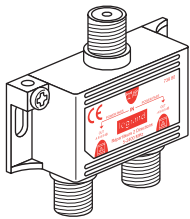
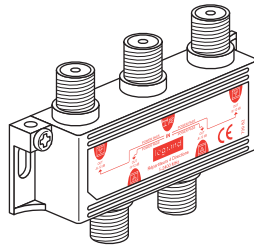


Distribution blocks TV - SAT 5 - 2400 MHz 2, 4 & 6 outputs

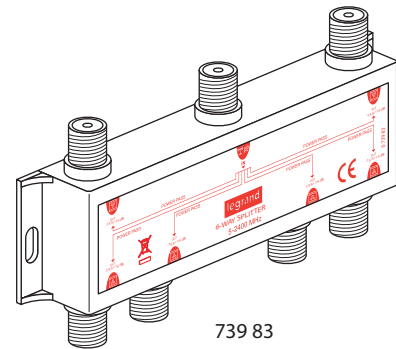
Catalogue number(s): 739 80/82/83 - 910 35/36



739 80 - 910 35



739 82 - 910 36



739 83

1. GENERAL FEATURES

Low loss shielded distribution blocks for distributing TV, FM and satellite signals to several sockets in the same apartment or private house.

2. TECHNICAL FEATURES

- Bandwidth 5 to 2400 MHz
(for B1, FM, VHF, UHF, satellite)

- Throughput attenuation (dB)

Cat. No.	Outputs	5 - 420 MHz	420 - 862 MHz	950 - 2400 MHz
739 80 910 35	2	4	4.5	6.5
739 82 910 36	4	8	9	12
739 83	6	11	14	16.5

- Decoupling (dB)

Cat. No.	Outputs	5 - 420 MHz	420 - 862 MHz	950 - 2400 MHz
739 80 910 35	2	> 18	> 22	> 22
739 82 910 36	4	> 22	> 22	> 22
739 83	6	> 22	> 22	> 22

SWR > 12

- DC throughput: yes on all outlets
- Characteristic impedance 75 Ω
- Printed circuit with ferrite core transformer
- Shielded unit with high protection against impact IP50, IK7 and EMC (nickel coating on zamac)
- Weight 45 g Cat. Nos 739 80 and 910 35
- Weight 71.70 g Cat. Nos 739 82 and 910 36
- Weight 129 g Cat. No. 739 83

3. CONNECTION

- On TV coaxial with Ø 7 mm "F" plugs
 - Screw-in plug Cat. No. 739 90
 - Crimp-type plug Cat. No. 739 95
- Earth connection via 2.5 mm² terminal according to NF C 15-100

4. MOUNTING

Supplied with fixing screws

5. PRECAUTIONS FOR USE

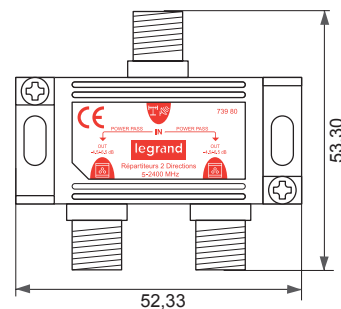
A standard low loss 17 or 19 VATC (attenuation 17 or 19 dB/100 m) coaxial cable should preferably be used.

It may be necessary to use an amplifier if the signal is too weak to compensate for the distribution block throughput loss.

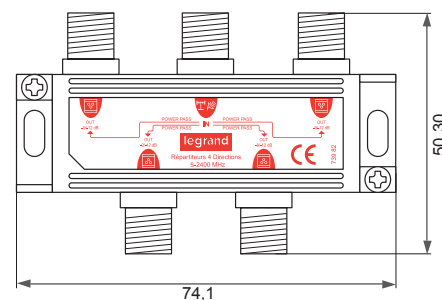
Unused outputs should be terminated by a 75 ohms load (Cat. No. 739 98).

Use a cable with attenuation < 18 dB (at 800 MHz) for satellite reception.

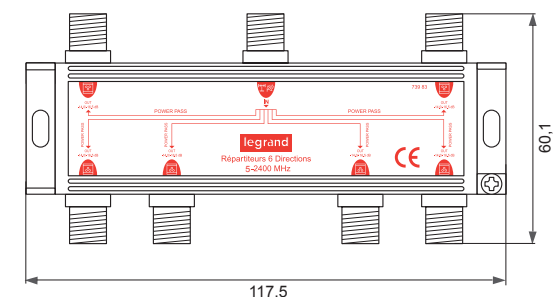
6. OVERALL DIMENSIONS



2-output distribution block = 52.33 x 53.30 x 24.1



4-output distribution block = 74.1 x 50.30 x 16.6



6-output distribution block = 117.5 x 60.1 x 17.4