

SOMMAIRE

Page

1. Description, use	1
2. Range	1
3. Overall Dimensions	1
4. General aracteristics	1
5. Setting in situation.....	2
6. Conformity and approvals.....	2
7. Equipment and accessories	2
8. Warning labels.....	3

1. DESCRIPTION, USE

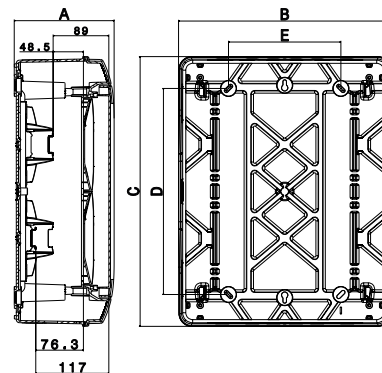
IP65 PLEXO³ weather-proof cabinets with between 1x12 and 4x18 modules compliant with regulations governing public buildings and high-rise buildings.

- . Impact-resistant reinforced polystyrene material
- . Removable chassis and faceplates from two-row versions upwards
- . Two-position rail for modular products and moulded boxes
- . Spacing between rails: 150 mm
- . Accommodates perforated plates and plain faceplates for mounting of non-modular products
- . Fixing of complete PLEXO programme flush-mounted on the side of the cabinet from two-row versions upwards
- . Lockable door handle, tamper-evident cover and faceplate
- . Door and cabinet totally reversible
- . Direct perforation entry glands supplied

2. RANGE

Cat. No(s)	Number of rows	Number of modules
4 140 33	1	12
4 140 34	2	24
4 140 35	1	18
4 140 36	2	36
4 140 37	3	54
4 140 38	4	72

3. OVERALL DIMENSIONS



Cat. No(s)	Dimensions (mm)				
	A	B	C	D	E
4 140 33	141	340	282	180	180
4 140 34	161	340	432	330	180
4 140 35	141	448	282	180	290
4 140 36	161	448	432	330	290
4 140 37	161	448	622	480	290
4 140 38	161	448	822	680	290

4. GENERAL CHARACTERISTICS

4.1 Technical caracteristics

- . Box colour: light grey L750A
- . Cover colour: dark grey RAL 7046
- . Shutter colour: transparent blue
- . Protection rating: IP65 – IK09
- . Self-extinguishing: 750°C
- . Dual class II insulation
- . Rated operating voltage: 1000V ~
- . Rated insulation voltage: 1000V ~
- . Storage and installation temperature:
 - 4 140 33 to 4 140 38: -25°C to + 55°C (+70°C/24 hr).
- . Operating temperature: -25°C to +40°C.
- . Max. permitted current:
 - 4 140 33/35 : 30A
 - 4 140 34 : 40A
 - 4 140 36 : 60A
 - 4 140 37/38 : 90A

4. GENERAL CHARACTERISTICS (suite)

. Permissible loads : 40N per row

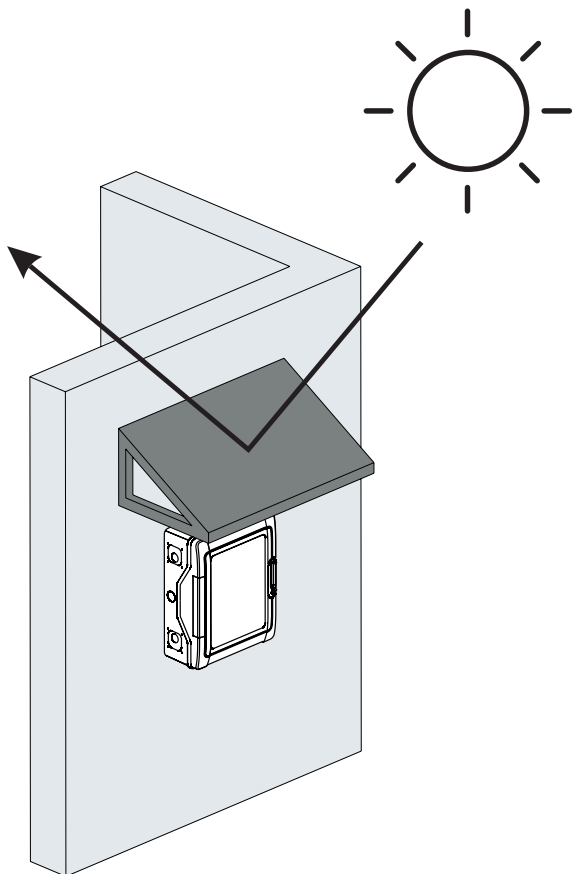
Cat. No(s)	Max permissible current	Dissipated power (Pde)
4 140 33	63 A	25 W
4 140 34	90 A	32 W
4 140 35	63 A	37 W
4 140 36	90A	40 W
4 140 37	125 A	65 W
4 140 38	125 A	67 W

4.2 Materials

- . Box, cover, rail brackets, terminal brackets, hinge cover and faceplate: impact reinforced polystyrene
- . Door: transparent polycarbonate
- . Handle and door identifier indicator light: polycarbonate
- . Handle bar: glassfibre-reinforced polycarbonate
- . Cover/box screws and springs: stainless steel
- . Other screws: zinc-coated steel
- . Rails: galvanised steel

5. SETTING IN SITUATION

Cabinet have to be protected against direct solar radiation.



6. CONFORMITY AND APPROVALS

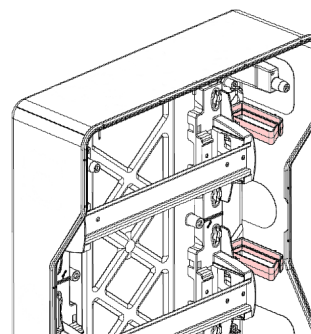
- CEI 62 208 edition august 2011
- CEI 60 695-2-11 edition february 2014 (fire resistance)
- CEI 62 262 edition february 2002 (impact resistance IK)
- RoHS
- WEEE
- REACH

7. EQUIPMENT AND ACCESSORIES

7.1 Guide ties

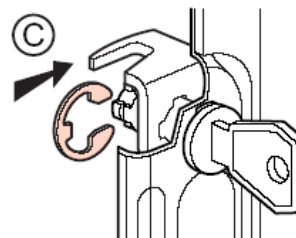
Guide ties supplied with the cabinet: :

Cat. No(s)	4 140 34	4 140 36	4 140 37	4 140 38
Number of guide ties	2	2	3	4



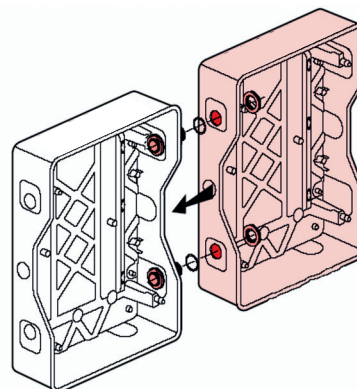
7.2 Key lock

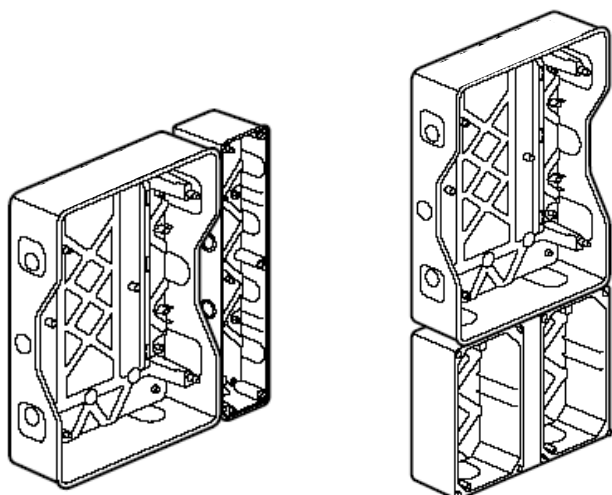
Cat. No. 0019 66
Key lock no. 850.



7.3 Joining kit

Cat. No. 0019 67
Used to run cables between two cabinets or horizontal or vertical multifunction sleeves while maintaining IP65 protection.
Composed of 2 joining kits, 4 nuts and 4 seals.



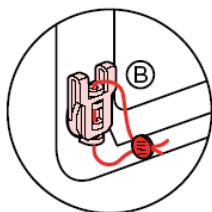


■ 7.4 Sealing kit

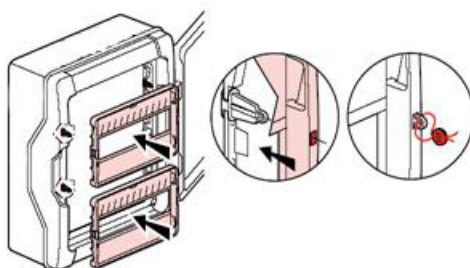
Cat. No. 001968

Set of two sealable terminal shields for covers and eight sealable brackets for faceplates

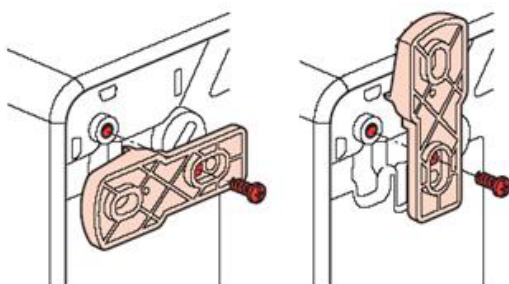
- Sealable screw covers for front cover



- Sealable brackets for faceplates



■ 7.5 Set of four wall mounting lugs Cat. No. 001969

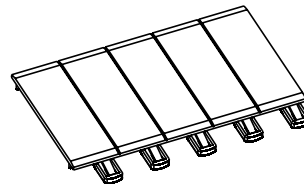


7. EQUIPMENT AND ACCESSORIES (suite)

■ 7.6 Blanking plates

Cat. No. 001961

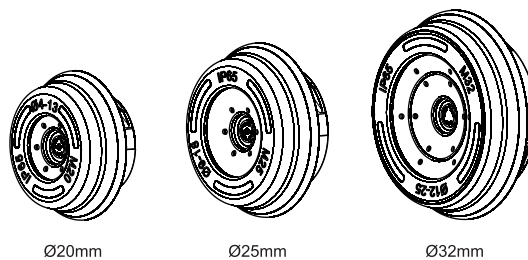
Set of five, separable into modules or half-modules, dark grey RAL 7046.



■ 7.7 Direct perforation entry glands

These entry glands maintain the cabinet's IP65 and IK09 ratings.

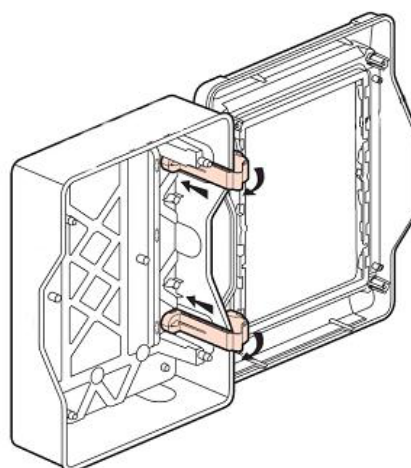
Cat.No(s)	Number of membrane glands supplied		
	Ø20 mm	Ø25 mm	Ø32 mm
0 019 55	10	5	2
0 019 56	100	-	-
0 019 57	-	100	-
0 019 58	-	-	100



■ 7.8 Hinges

Cat. No. 001970

Set of 2 hinges connecting the back of the cabinet to the cover.



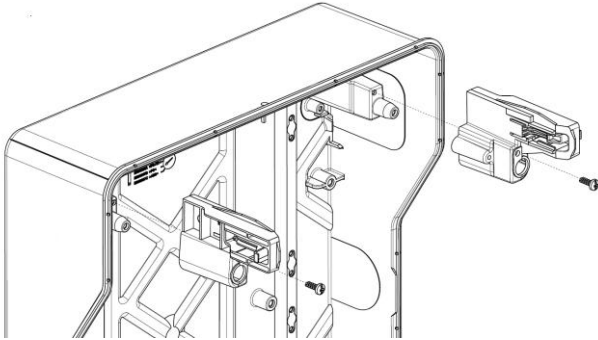
■ 7.9 Terminal block support

Cat. No. 001972

Single support for 12- and 18-module cabinets.

Cat. No. 001973

Double support for 24- to 72-module cabinets.



■ 7.10 Kit of connectors with typical bases MC4 Cat. No. 4 140 93

Cat. No. 4 140 93

Lot made up of 20 jack connectors for enclosures (10 males / 10 females), 20 plugs (10 males / 10 females) and 10 latches.



8. IDENTIFICATION LABELS

Cabinets are supplied with a labelling kit and also instructions for the positioning of stickers.

Example of warning label positioning (AC and DC cabinet) :

