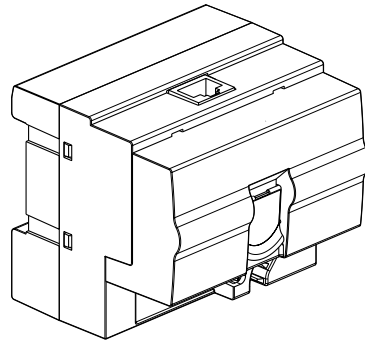


## RJ45 format ITD

Catalogue number(s): 413 008



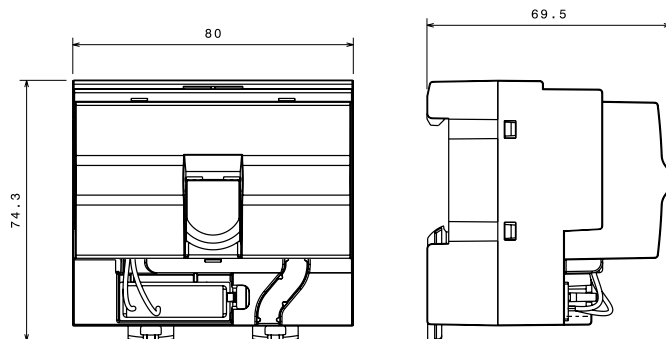
### 1. INTRODUCTION

Indoor termination device: France Telecom point of entry  
Equipment for telephone incoming line and distribution  
RJ 45 ITD - Modular format - 4.5 modules

### 2. SELECTION CHART

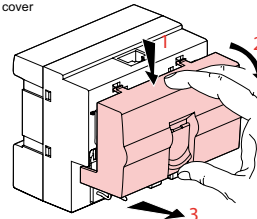
Description	Cat. No.	No. of modules	Weight (g)
Modular RJ45 format ITD	413008	4.5	94

### 3. OVERALL DIMENSIONS

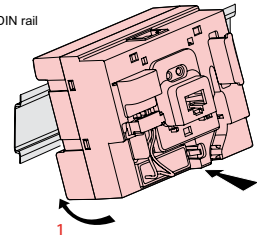


### 4. SETUP AND CONNECTION

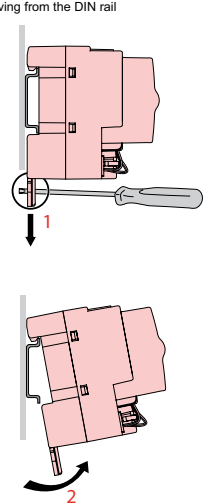
Removing the cover



Mounting on DIN rail



Removing from the DIN rail



### 5. TECHNICAL FEATURES

#### 5.1 Mechanical features

Plastic casing: PC RAL 7035  
IP 20 - IK 04  
Tensile resistance on DIN rail: 100 N

#### 5.2 Electrical features

Takes the following plugs:  
RJ11 (4-pin), RJ12 (6-pin), RJ45 (9-pin)

Permissible conductors:  
- Single-core: 0.5 to 0.65 mm, AWG 22 to 25  
- Multicore: AWG 26  
- Polyethylene conductor insulation:  $\varnothing$  max. on insulation 1.58 mm

#### 5.3 Climatic features

Usage temperature: + 5°C to + 40°C  
Storage temperature: - 25°C to + 70°C

### 6. COMPLIANCE AND APPROVALS

NFC 15100  
Approved for use by France Telecom