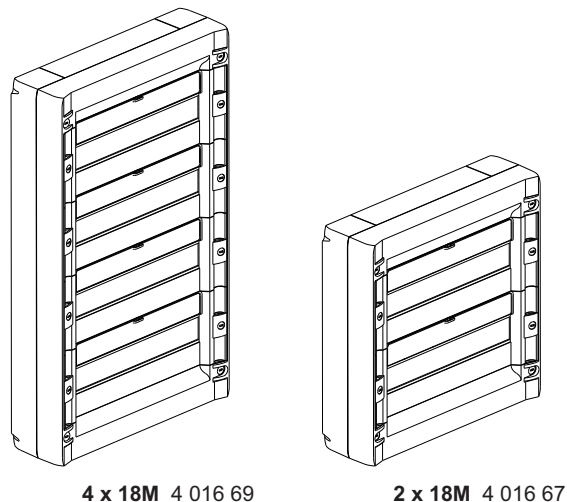


XL³ 125 Cabinets

Cat. No(s) : 4 016 66/67/68/69/76/77/78/79



CONTENTS	PAGES
1. Description, use	1
2. Range	1
3. Overall dimensions	1
4. General characteristics	2
5. Compliance and approvals	2
6. Equipment and accessories	2-3-4

1. DESCRIPTION, USE

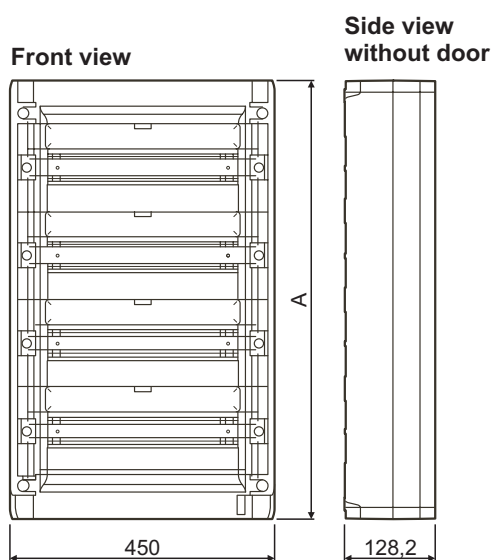
XL³ 125 cabinets from 1x18 modules to 4x18 modules

- Removable faceplates
- Removable, pivoting chassis
- Centre distance between rails 150 mm
- Accepts perforated plates and plain faceplates to mount non-modular products
- Attachments for Mosaic Programme wiring devices on the side of the cabinet
- Lockable door handle
- Door and cabinet are fully reversible

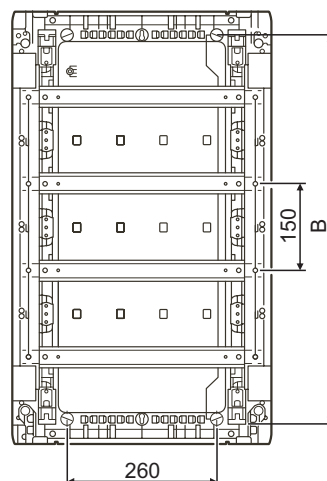
2. RANGE

Cat. No.	Number of rows	Number of modules
4 016 66/76	1	18
4 016 67/77	2	36
4 016 68/78	3	54
4 016 69/79	4	72

3. OVERALL DIMENSIONS



Fixing centre distances and distance between rails



Cabinet Cat. No.	A (mm)	B (mm)
4 016 66/76	300	250
4 016 67/77	450	365
4 016 68/78	600	515
4 016 69/79	750	665

4. GENERAL CHARACTERISTICS

4.1 Technical characteristics

- Box and cover colour :White RAL 9003
- Protection index : IP30 - IK08 without door
IP40 - IK09 with door
- Self-extinguishing : 650°C
- Classe II double insulation
- Rated operating voltage : 400V AC - 50/60 Hz
- Rated insulation voltage : 400V AC - 50/60 Hz
- Short circuit current : 10 kA
- Storage temperature : -20°C to +70°C
- Installation temperature : -15°C to +60°C
- Operating temperature : -5°C to +40°C
- Maximum admissible current :
 - 4 016 66/76 : 63 A
 - 4 016 67/77 : 90 A
 - 4 016 68/78 : 125 A
 - 4 016 69/79 : 125 A

-Maximum capability to dissipate power (Pde):

Number of rows	Number of modules	Maximum dissipate power
1	18	43 W
2	36	50 W
3	54	66 W
4	72	68 W

- Permissible loads : 40N per row

4.2 Materials

- Box, cover, faceplate, terminal block support, open-work plate : resistant reinforced polystyrene.
- Rails supports, pivot-bolt, screw, cover ¼ turn fixinx : glass fibre-reinforced polycarbonate.
- Door, hinge, label holder, rod, guide: polycarbonate.
- Rails and metal uprights : galvanised steel.

4.3 Terminal block capacity and number of blanking plates

Cabinet Cat. No.	Screw-type terminals			
	Ground		Neutral	
	1,5 to 16 mm ²	6 to 25 mm ²	1,5 to 16 mm ²	6 to 25 mm ²
4 016 66	16	1	-	-
4 016 67	21	1	-	-
4 016 68	26	1	-	-
4 016 69	34	1	-	-
4 016 76	16	1	16	1
4 016 77	21	1	21	1
4 016 78	26	1	26	1
4 016 79	34	1	34	1

Cabinet Cat. No.	Number of blanking plates 5 modules
4 016 66/76	1
4 016 67/77	2
4 016 68/78	3
4 016 69/79	3

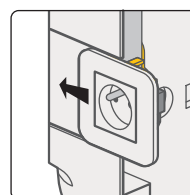
5. COMPLIANCE AND APPROVALS

IEC 61 439-3
IEC 60 670-24
IEC 62 208
RoHS
WEEE
REACH

CB Certificate

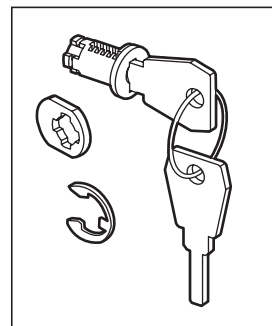
6. EQUIPMENT AND ACCESSORIES

6.1 Mounting support for Mosaic Programme wiring devices Cat. No. 4 018 50



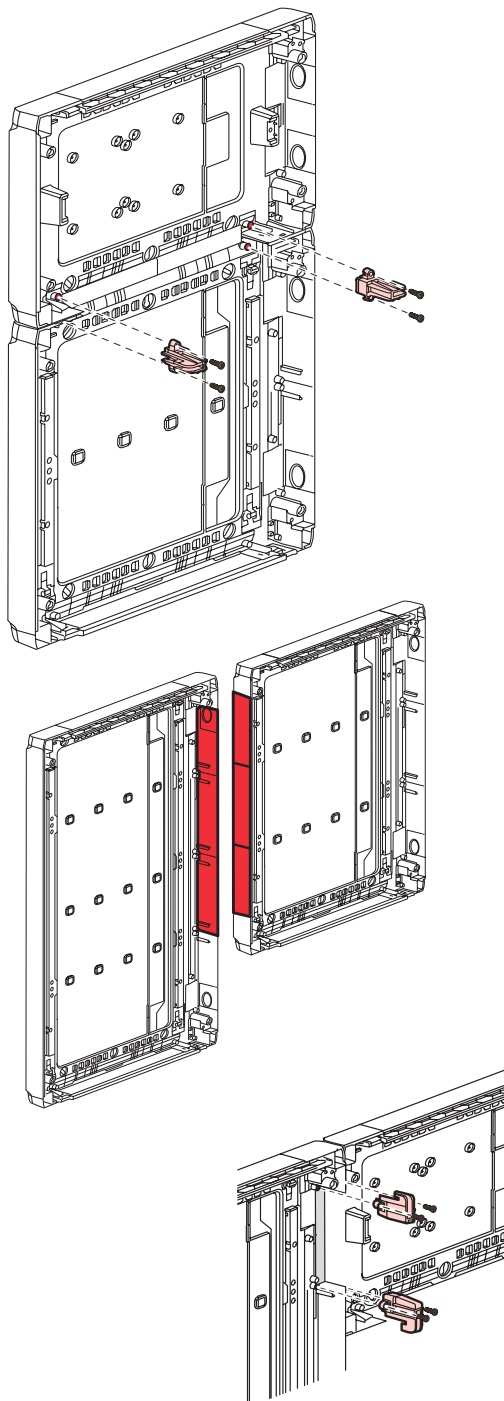
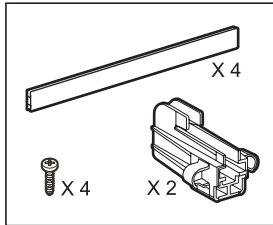
6.3 Key barrel Cat. No. 4 018 51

Key barrel No. 850

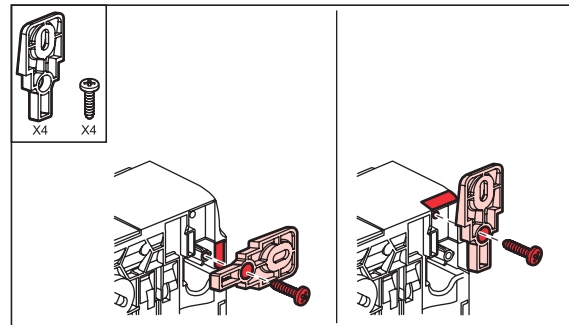


6.4 Joining kit Cat. No. 4 018 45

Enables the association of 2 cabinets of the same size or of different sizes horizontally or vertically.



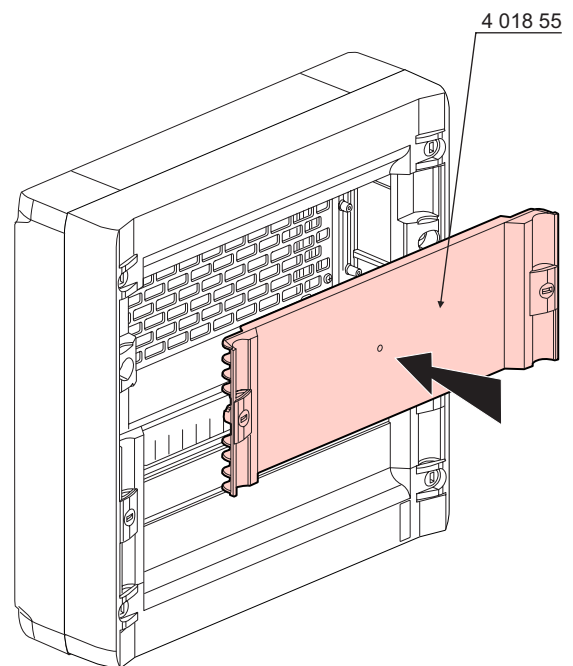
6.5 Set of 4 wall-mounting brackets Cat. No. 4 018 56



6.6 Blanking plates Cat. No. 0 016 60

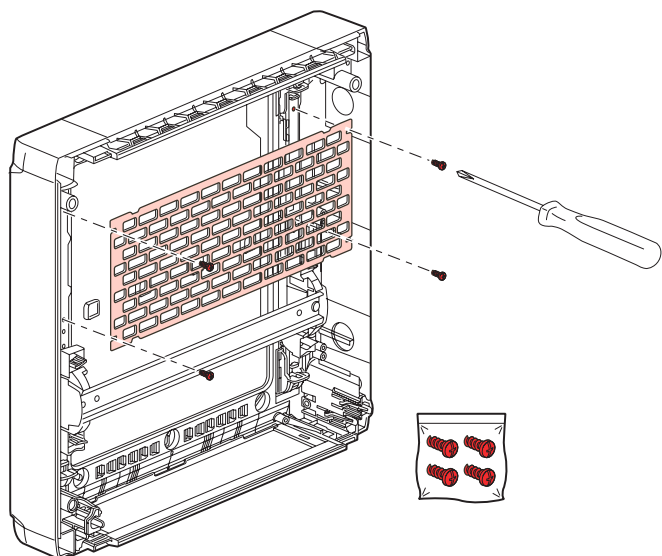
5 modules, separable by module or half-module, white RAL 9003

6.7 Plain faceplate Cat. No. 4 018 55

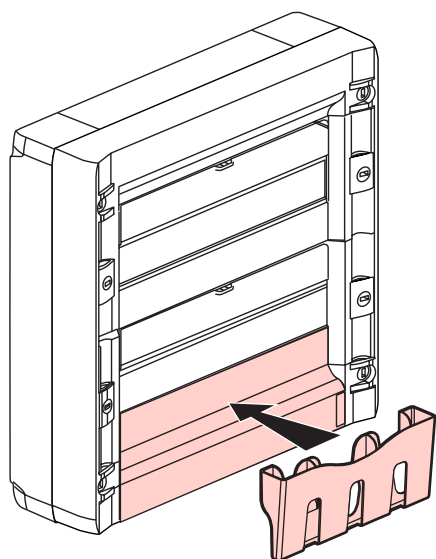
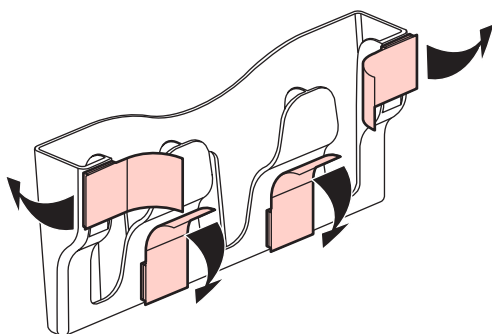


6.8 Perforated plate supplied with 4 fastening screws Cat. No. 4 018 53

Enables replacement of DIN rail with LINA 25 plate to integrate non-modular products.



6.9 Documents holder Cat. No. 4 018 44



6.10 Doors

Cabinet Cat. Nos.	White door RAL 9003	Transparent door
4 016 66/76	4 018 61	4 018 71
4 016 67/77	4 018 62	4 018 72
4 016 68/78	4 018 63	4 018 73
4 016 69/79	4 018 64	4 018 74

6.11 Double terminal block support Cat. No 4 018 57

Set of 2 fixing supports:
For installation of earth terminal block Cat No. 0 050 54 or additional empty terminal block housing Cat No 4 048 21.

