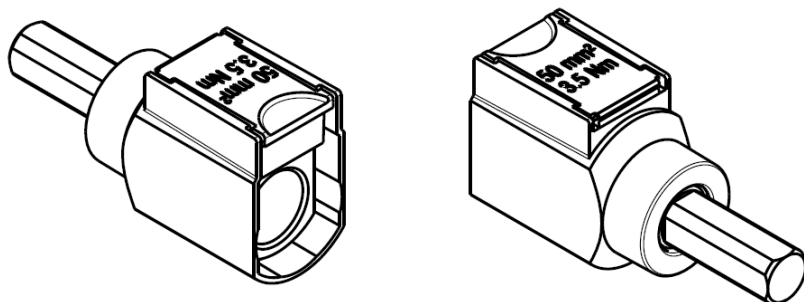


DX³ Terminal 50mm² Aluminium

Cat N°: 4 063 10



CONTENTS	PAGE
1. Description - Use	1
2. Range.....	1
3. Overall dimensions	1
4. Preparation - Connection	1
5. General Characteristics	2
6. Compliance and approvals.....	2

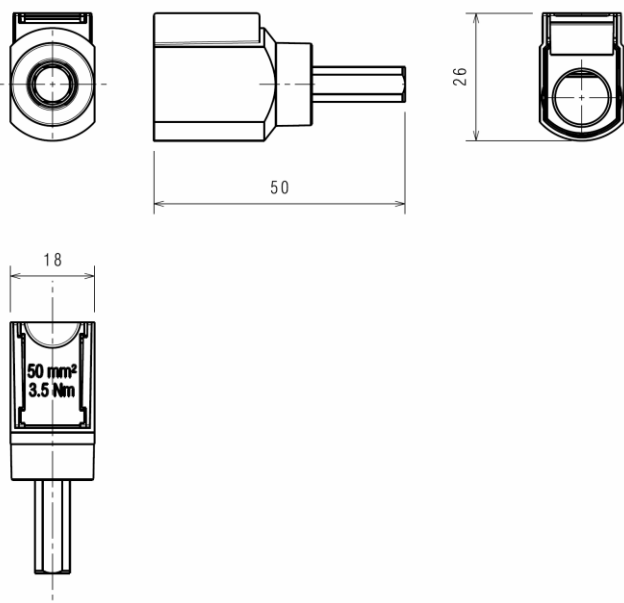
1. DESCRIPTION - USE

. Terminal for aluminium cable up to 50mm², to be connected to the MCBs 1 module or 1,5 modules per pole up to 63A.

2. RANGE

. Cat n° 4 063 10
. Delivered for one

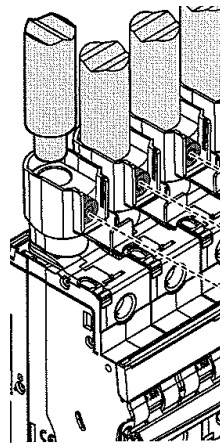
3. OVERALL DIMENSIONS



4. PREPARATION - CONNECTION

Assembling:

. Directly into the upstream and downstream terminals of the MCB.



Terminal depth (stripping length):

. 14 mm.
. Separates and isolates terminals by insulating shields integrated into the MCB

Screw head:

. Mixed, slotted and Pozidriv 2.

Tightening torque:

. recommended 3 Nm.
. maxi 3,5 Nm.

Recommended tools:

. Pozidriv 2 or flat screwdriver 5 mm.

Connectable section:

. Minimum section = 10 mm²
. Maximum section = 50 mm².

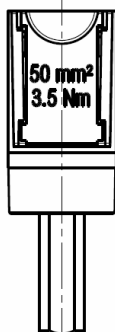
Cable type:

. Terminals for Aluminium cables.
. Possibility to connect rigid copper cable up to 50 mm².

5. GENERAL CHARACTERISTICS

Front face marking:

- . Bv plastic mould.



The marking indicates the maximum capacity of the terminal and the maximum tightening torque of the screw

Ambient temperatures:

- . Operation: from - 25 °C to + 70 °C.
- . Storage: from - 40 °C to + 70 °C.

Plastic materials:

- . Polyamide 6 for general uses.
- . Characteristics of this material: self extinguishing, heat and fire resistant in accordance with standard EN 60898-1, incandescent wire test at 750°C

Degree of class protection:

- . Protection index of terminals against solid and liquid bodies: IP20 (in accordance with standards IEC 529, EN 60529 and NF C 20-010).
- . Protection index against mechanical shocks: IK02 (in accordance with standards EN 50102 and NF C 20-015).

Sinusoidal vibration resistance in accordance with IEC 60068-2-6.

- . Axes : x, y, z.
- . Frequency range: 5÷100 Hz ; duration 90 min.
- . Displacement (5÷13,2 Hz) : 1mm
- . Acceleration (13,2÷100 Hz) : 0,7g (g=9,81 m/s²).

Weight per piece:

- . 0,017 kg.

Volume when packed:

- . 0,095 dm³.

6. COMPLIANCE AND APPROVALS

In accordance with:

- . Standard: IEC/EN 60947-2.
- . CEE guidelines : 73/23/CEE + 93/68/CEE.

Plastic materials :

- . Halogen-free plastic materials.

Packaging:

- . Design and manufacture of packaging in accordance with Decree 98-638 of 07.20.98 and Directive 94/62/EC