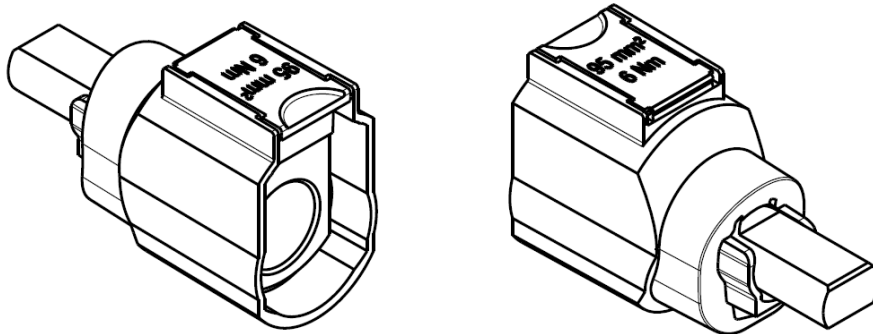


## DX<sup>3</sup> Terminal 95mm<sup>2</sup> Aluminium

Cat N : 4 063 11



CONTENTS	PAGE
1. Description - Use .....	1
2. Range .....	1
3. Overall dimensions .....	1
4. Preparation - Connection .....	1
5. General Characteristics .....	2
6. Compliance and approvals.....	2

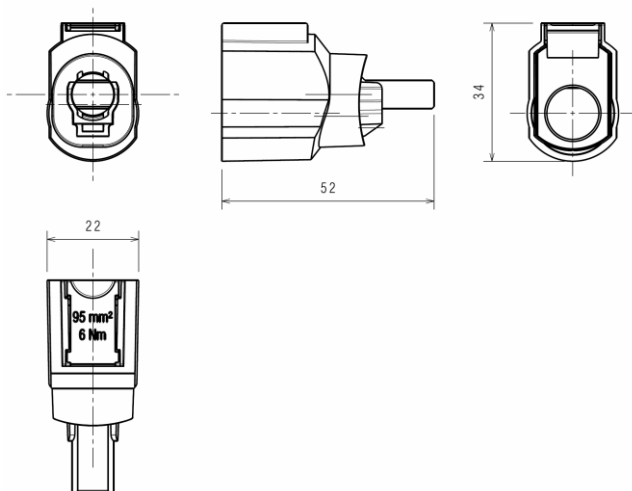
### 1. DESCRIPTION - USE

. Terminal for aluminium cable up to 95 mm<sup>2</sup>, to be connected to MCBs 1.5 modules per pole.

### 2. RANGE

. Cat. n° 4 063 11  
. Delivered by one

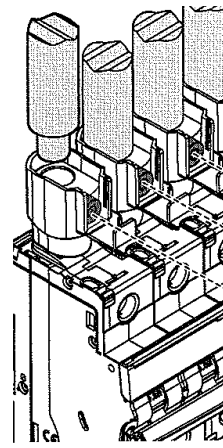
### 3. OVERALL DIMENSIONS



### 4. PREPARATION - CONNECTION

#### Assembling:

. Directly into the upstream and downstream terminals of the MCB.



#### Terminal depth (stripping length):

. 14 mm.  
. Separate and isolate the terminals by insulating shields integrated into the circuit breaker

#### Screw head:

. Allen screw.

#### Tightening torque:

. recommended 5.5 Nm.  
. maxi 6 Nm.

#### Recommended tools:

. Allen wrench 4 mm.

#### Connectable section:

. Minimum section = 16 mm<sup>2</sup>  
. Maximum section = 95 mm<sup>2</sup>.

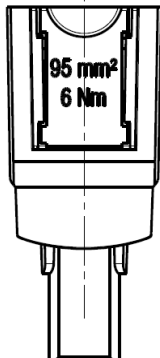
#### Cable type:

. Terminals for Aluminium cables.  
. Possibility to connect rigid copper cable 95 mm<sup>2</sup>.

## 5. GENERAL CHARACTERISTICS

### Front face marking:

- . Bv plastic mould.



- . The marking indicates the maximum capacity of the terminal and the maximum tightening torque of the screw

### Ambient temperatures:

- . Operation: from - 25 °C to + 70 °C.
- . Storage: from - 40 °C to + 70 °C.

### Plastic materials:

- . Polyamide 6 for general uses.
- . Characteristics of this material: self extinguishing, heat and fire resistant according to EN 60898-1, incandescent wire test at 750°C

### Degree of class protection:

- . Protection index of terminals against solid and liquid bodies: IP 20 (in accordance with standards IEC 529, EN 60529 and NF C 20-010).
- . Protection index against mechanical shocks: IK 02 (in accordance with standards EN 50102 et NF C 20-015).

### Sinusoidal vibration resistance in accordance with IEC 60068-2-6:

- . Axes : x, y, z.
- . According to IEC 60068-2-6.
- . Axis : x, y, z.
- . Frequency range: 5÷100 Hz ; duration 90 min.
- . Displacement (5÷13,2 Hz) : 1mm
- . Acceleration (13,2÷100 Hz) : 0,7g (g=9,81 m/s<sup>2</sup>).

### Weight per piece:

- . 0,030 kg.

### Volume when packed:

- . 0,095 dm<sup>3</sup>.

## 6. COMPLIANCE AND APPROVALS

### In accordance with:

- . Standards IEC/EN 60947-2.
- . CEE guidelines : 73/23/CEE + 93/68/CEE.

### Plastic materials :

- . Halogen-free plastic materials.

### Packaging:

- . Design and manufacture of packaging in accordance with Decree 98-638 of 07.20.98 and Directive 94/62/EC